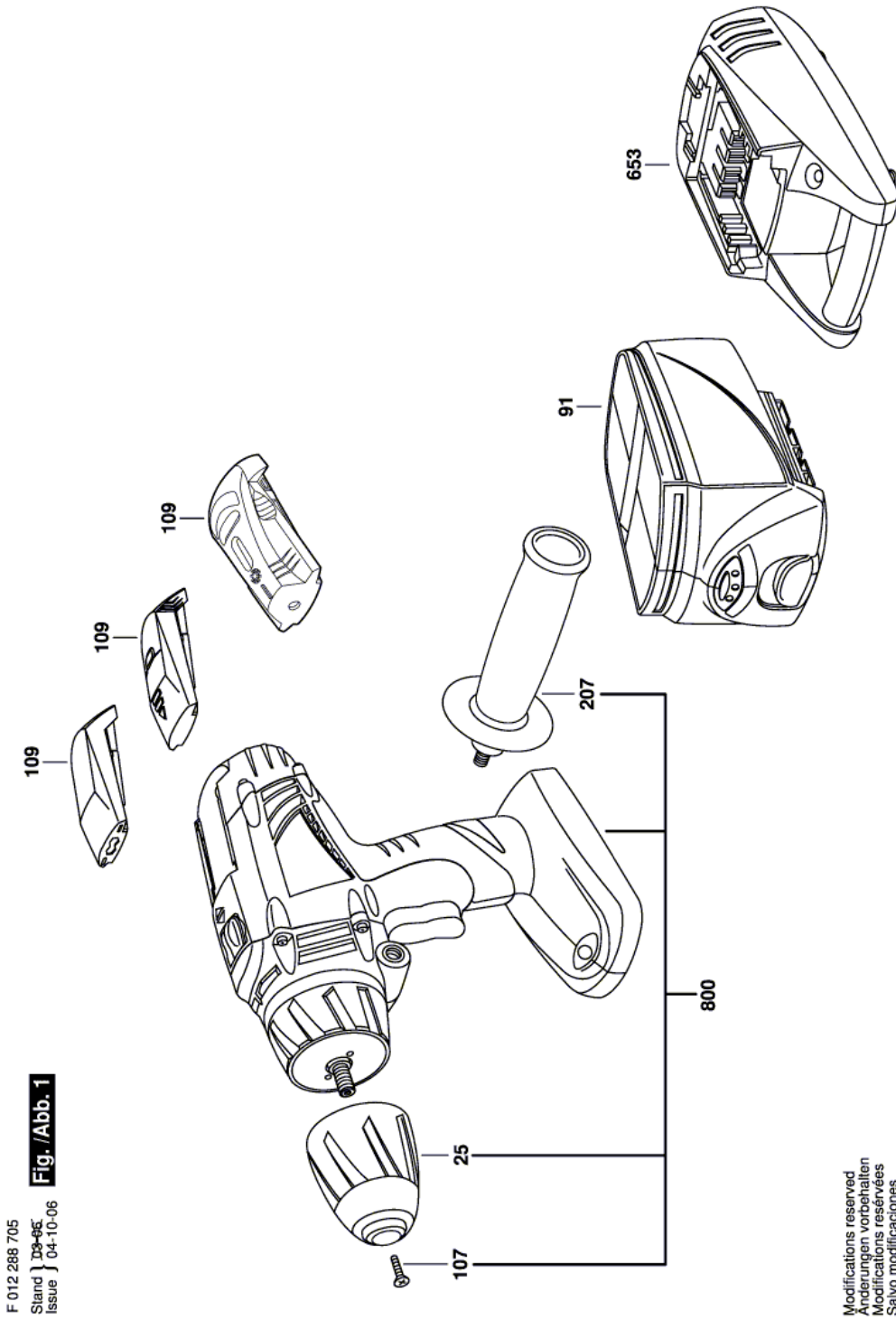


03.08.2015 |

Cordless Screw Driver - F 012 288 701 - 2887-B1

Item	Part Number	Description	Illustration	Price	Quantity	Price Group
25	2 610 920 204	Chuck	1	-,-	1	-
91	2 607 335 545	Slide-In Accu Package 18V, 1,2Ah, NiCd	1	-,-	1	44
107	2 609 110 721	Countersunk-Head Screw M5x20	1	-,-	1	11
109	2 609 100 190	Bit holder	1	-,-	1	16
109	2 610 916 434	Metal Detector	1	-,-	1	35
109	2 610 924 433	Spirit Level	1	-,-	1	-
207	2 610 920 285	Handle	1	-,-	1	-
653	1 619 X07 585	Charger 120/18V, NiCd	1	-,-	1	-
800	2 610 920 584	Cordless Screw Driver 18V	1	-,-	1	-

Illustration - Type E



F 012 288 705
Stand } D3-66
Issue } 04-10-06 **Fig./Abb. 1**

Modifications reserved
Änderungen vorbehalten
Modificacions reservées
Salvo modificaciones

Information subject to change without further notice.