

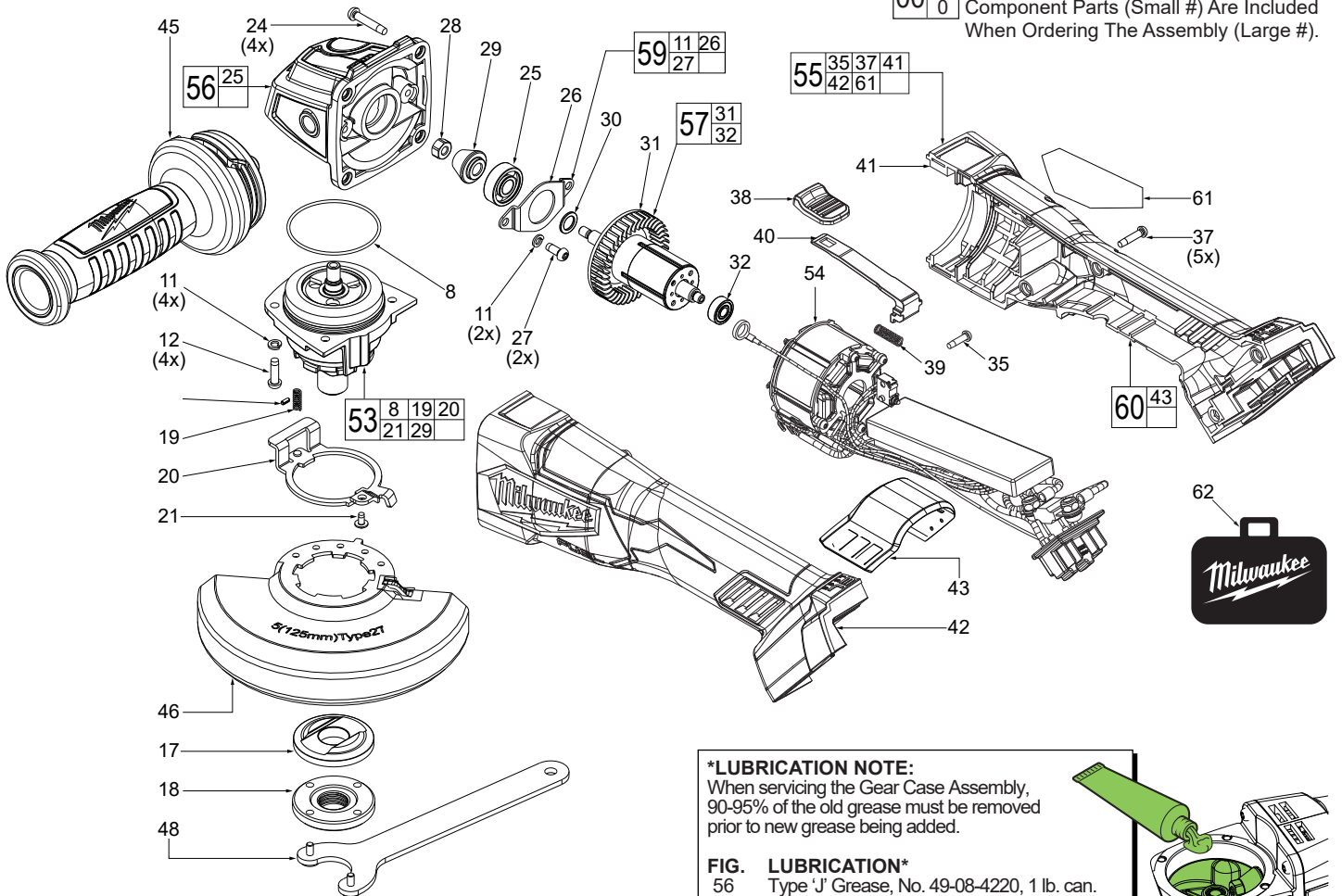


SERVICE PARTS LIST

BULLETIN NO.
54-38-7030

SPECIFY CATALOG NO. AND SERIAL NO. WHEN ORDERING PARTS		REVISED BULLETIN	DATE
M18 FUEL™ Angle Grinder with Slide Switch & Lock-On			April 2021
CATALOG NO.	2881-20	STARTING SERIAL NO.	L65A
		WIRING INSTRUCTION SEE PAGE 2	

EXAMPLE:
Component Parts (Small #) Are Included
When Ordering The Assembly (Large #).



***LUBRICATION NOTE:**
When servicing the Gear Case Assembly, 90-95% of the old grease must be removed prior to new grease being added.

FIG. LUBRICATION*
56 Type 'J' Grease, No. 49-08-4220, 1 lb. can. Place approximately 16 grams (.562 oz.) in gearcase cavity, being sure to completely coat all teeth of bevel pinion and surrounding area.

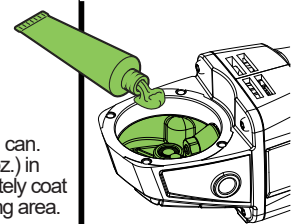
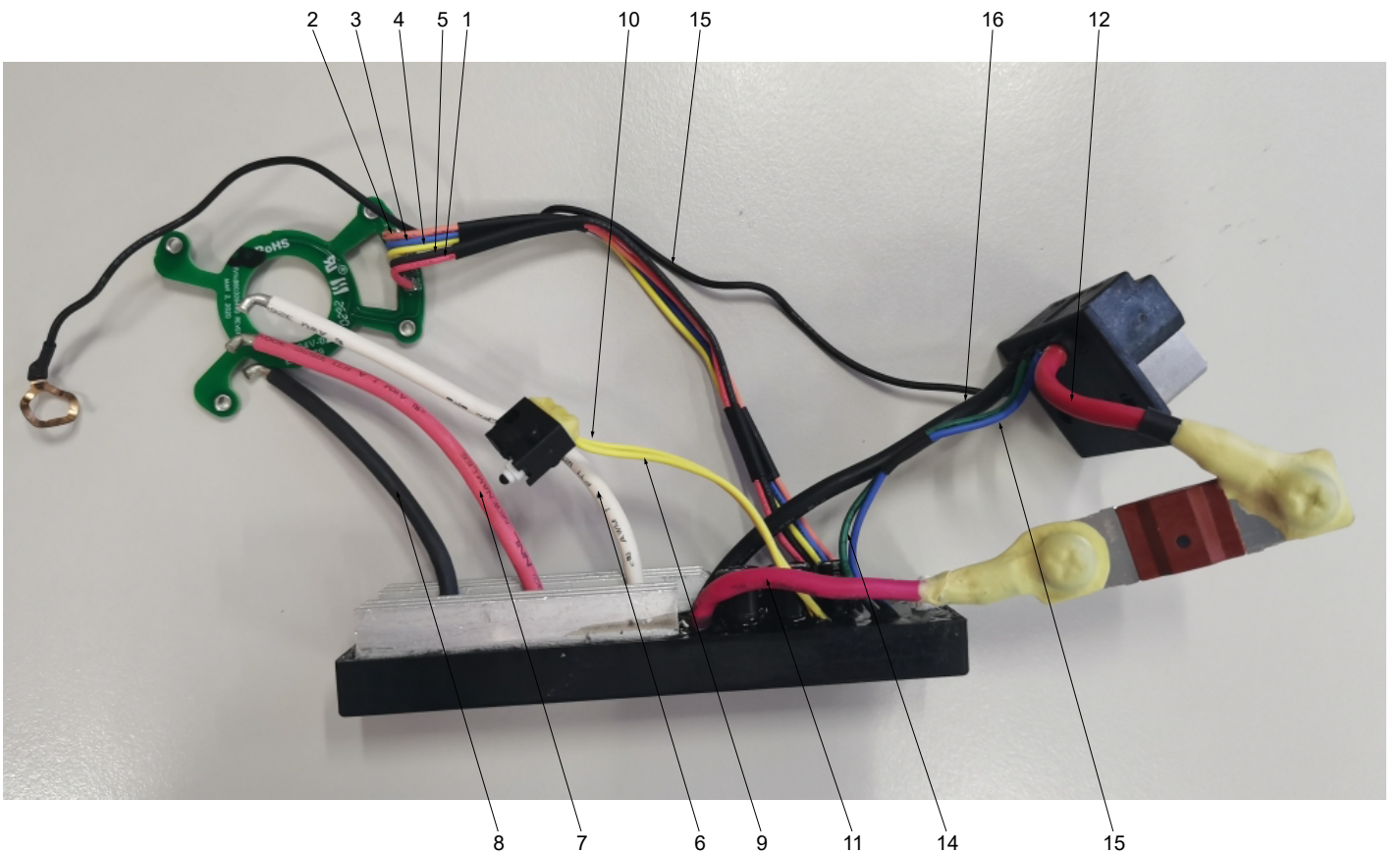
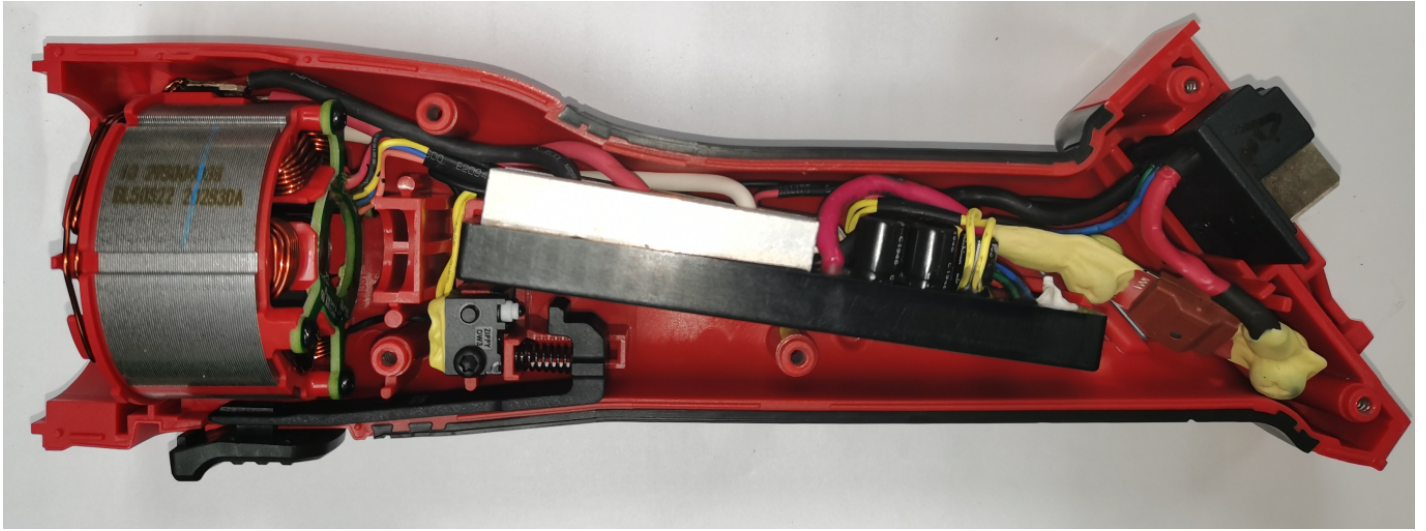


FIG.	PART NO.	DESCRIPTION OF PART	NO. REQ.	FIG.	PART NO.	DESCRIPTION OF PART	NO. REQ.
8	34-40-0330	O-Ring	(1)	40	31-92-0226	Slide Pole	(1)
11	05-90-0225	Spring Washer	(6)	41	-----	Handle Cover	(1)
12	05-78-5316	M4 x 14mm Pan Hd. Taptite T-20 Screw	(4)	42	-----	Handle Support	(1)
17	43-34-3000	Backing Flange	(1)	43	31-15-0103	Dust Cover	(1)
18	44-40-7100	5/8" Flange Nut	(1)	45	42-62-0125	Side Handle	(1)
19	40-50-0386	Spring	(1)	46	43-54-1221	5" Type 27 Guard Assembly (Std Equip Shown)	(1)
20	44-20-0091	Lock Tang	(1)		43-54-4010	Clip-On Guard (Not Shown)	(1)
21	45-04-0031	Shoulder Taptite Screw	(1)		43-54-1230	5" Type 1 Guard Assembly (Optional, Not Shown)	(1)
24	05-88-1255	M4 x 22mm Pan Hd. ST T-20 Screw	(4)		43-54-1200	4.5" Type 27 Guard Assembly (Optional, Not Shown)	(1)
25	02-40-0621	Ball Bearing	(1)		43-54-1210	4.5" Type 1 Guard Assembly (Optional, Not Shown)	(1)
26	44-86-2800	Bearing Retainer	(1)	48	49-96-7215	Wrench	(1)
27	05-78-0105	M4 x 10mm Pan Hd. Tapt. T-20 Screw	(2)	53	14-73-2000	Spindle Hub Assembly	(1)
28	05-55-0620	Hex Nut	(1)	54	14-20-5031	Electronics Assembly	(1)
29	-----	Bevel Pinion	(1)	55	14-38-2601	Housing Kit	(1)
30	45-88-0406	Washer	(1)	56	14-30-1110	Gearcase Assembly	(1)
31	-----	Rotor	(1)	57	23-40-6010	Rotor Assy Kit	(1)
32	02-04-0111	Ball Bearing	(1)	59	14-62-0300	Bearing Retainer Kit	(1)
35	06-82-1087	M3 x 12mm Pan Hd. ST T-10 Screw	(1)	61	12-20-0285	Service Nameplate	(1)
37	06-82-2025	M3.5 x 16mm Pan Hd. ST T-10 Screw	(5)	62	50-55-3560	Contractor Bag	(1)
38	42-42-0147	Lock-On Button	(1)				
39	40-50-0217	Spring	(1)				

WIRE ROUTING AND TRAPPING for the ELECTRONICS KIT in the HANDLE SUPPORT (Left Handle Halve)



- | | | | |
|-----------|--|------------|--|
| 1. Red | Connect with Power Control Board and Hall Board. | 9. Yellow | Connect with Switch and Power Control Board. |
| 2. Orange | Connect with Power Control Board and Hall Board. | 10. Yellow | Connect with Switch and Power Control Board. |
| 3. Blue | Connect with Power Control Board and Hall Board. | 11. Red | Connect with Power Control Board and Fuse 1. |
| 4. Yellow | Connect with Power Control Board and Hall Board. | 12. Red | Connect with Terminal Block and Fuse 2. |
| 5. Black | Connect with Power Control Board and Hall Board. | 13. Blue | Connect with Power Control Board and Terminal Block. |
| 6. White | Connect with Power Control Board and Hall Motor. | 14. Green | Connect with Power Control Board and Terminal Block. |
| 7. Red | Connect with Power Control Board and Hall Motor. | 15. Black | Connect with Gearcase and Terminal Block. |
| 8. Black | Connect with Power Control Board and Hall Motor. | 16. Black | Connect with Power Control Board and Terminal Block. |