



# SERVICE PARTS LIST

**BULLETIN NO.**  
**54-26-3005**

SPECIFY CATALOG NO. AND SERIAL NO. WHEN ORDERING PARTS		REVISED BULLETIN	DATE
<b>M18™ FUEL™ 1/2" Compact Impact Wrench w/ Friction Ring</b>			Aug. 2020
<b>CATALOG NO.</b>	<b>2855-20</b>	<b>STARTING SERIAL NO.</b>	<b>L58A</b>
		<b>WIRING INSTRUCTION</b> <b>See Pages 3 &amp; 4</b>	

**EXAMPLE:**  
00 0 Component Parts (Small #)  
Are Included When Ordering  
The Assembly (Large #).

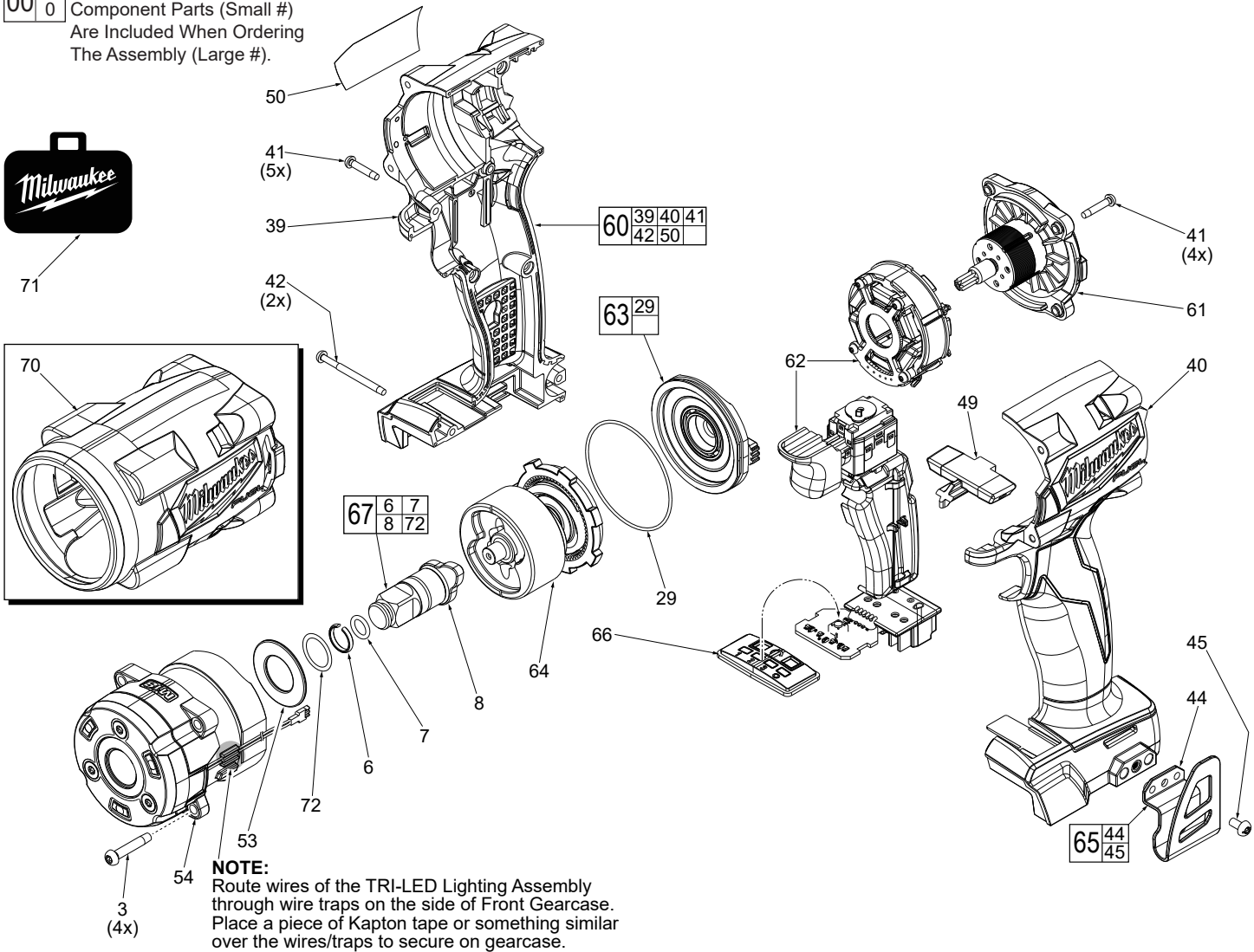
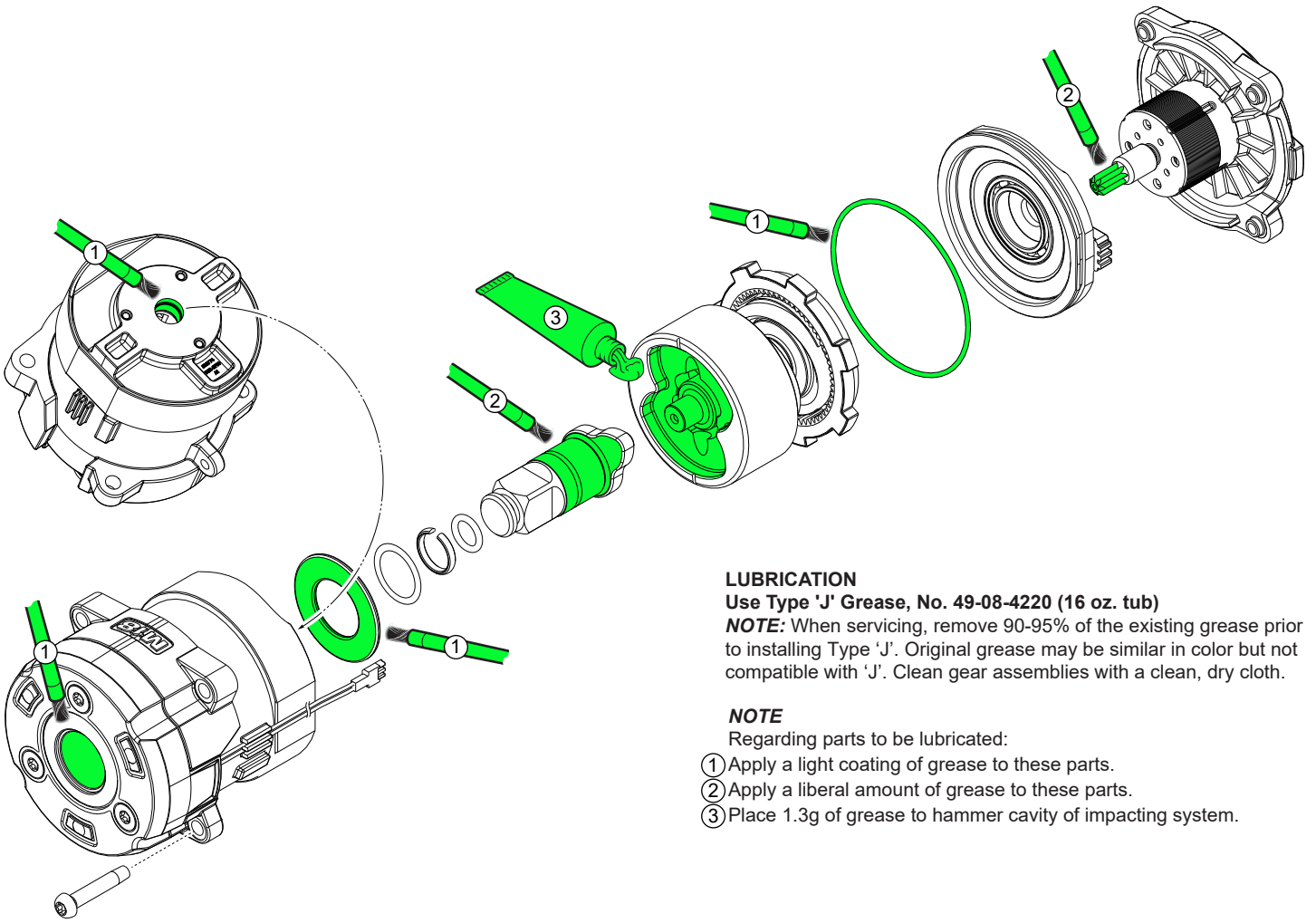


FIG.	PART NO.	DESCRIPTION OF PART	NO. REQ.
3	05-88-1257	M4 x 22mm Pan Hd. T-20 ST Screw	(4)
6	44-90-4530	1/2" Friction Ring	(1)
7	34-40-0900	O-Ring	(1)
8	-----	1/2" Anvil	(1)
29	34-40-8005	O-Ring	(1)
39	-----	Right Housing Halve-Cover	(1)
40	-----	Left Housing Halve-Support	(1)
41	06-82-6351	M3 x 16mm Pan Hd. ST T-10 Screw	(9)
42	06-82-2367	M3 x 38mm Pan Hd. ST T-10 Screw	(2)
44	-----	Belt Hook	(1)
45	06-82-2500	6-32 x 7mm Pan Hd. Tapt. T-15 Screw	(1)
49	45-24-0031	Forward/Reverse Shuttle	(1)
50	12-20-0253	Service Nameplate	(1)
53	45-88-2555	Front Gearcase Washer	(1)
54	28-50-2855	Front Gearcase Assy. with TRI-LED Lighting	(1)
60	31-44-2854	Housing Service Kit	(1)
61	16-01-2854	Rotor/Back Cap Assembly	(1)
62	14-20-2854	Electronics Assembly	(1)
63	44-66-2854	End Cap Assembly	(1)
64	14-30-2854	Impacting Assembly	(1)
65	42-70-0950	Belt Clip Kit	(1)
66	45-24-2854	Speed Selector Assembly	(1)
67	42-06-2855	1/2" Square Anvil Assy. w/ Friction Ring (1)	(1)

FIG.	PART NO.	DESCRIPTION OF PART	NO. REQ.
70	49-16-2854	Rubber Boot (Accessory)	(1)
71	42-55-0067	Blow Molded Carrying Case	(1)
72	34-40-2425	Anvil O-Ring	(1)

SCREW TORQUE SPECIFICATIONS				
FIG.	PART NO.	WHERE USED	SEAT TORQUE	
			(KG/CM)	(IN/LBS)
3	05-88-1257	Front Gearcase	21±2	18±2
41	06-82-6351	Right Housing Halve	10±1	8±1
41	06-82-6351	Rotor/Back Cap Assy.	7±1	6±1
42	06-82-2367	Right Housing Halve	10±1	8±1
45	06-82-2500	Belt Hook	16±2	14±2



**LUBRICATION**

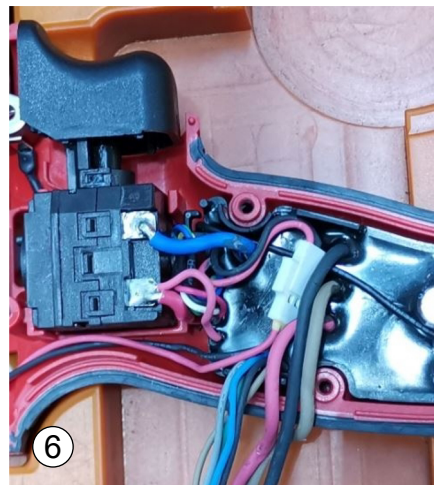
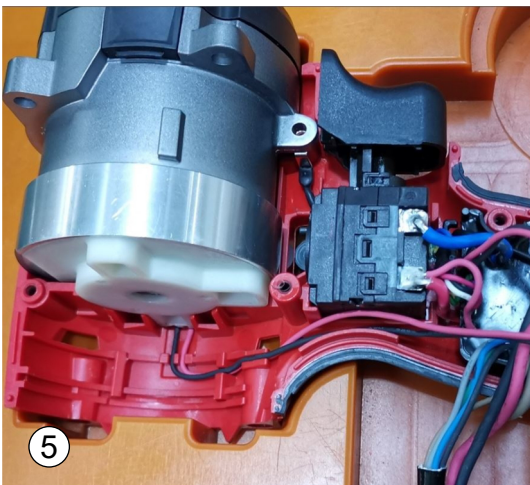
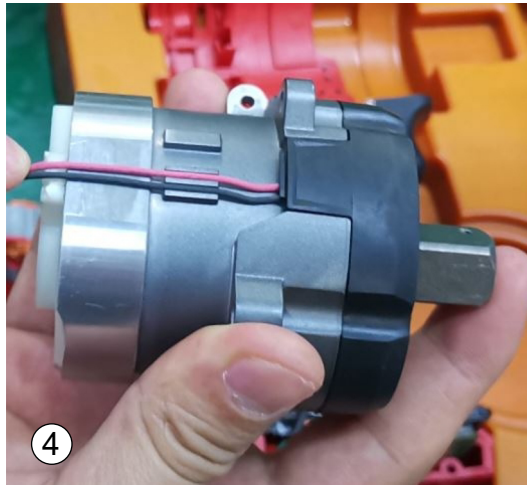
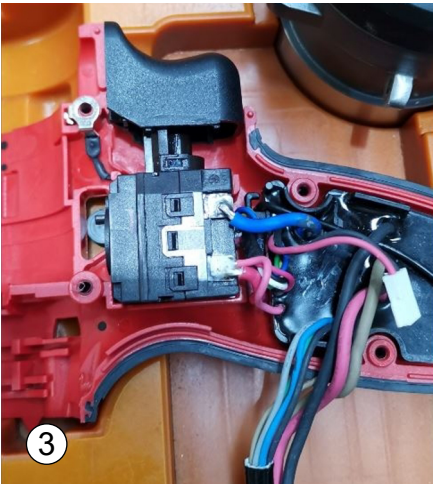
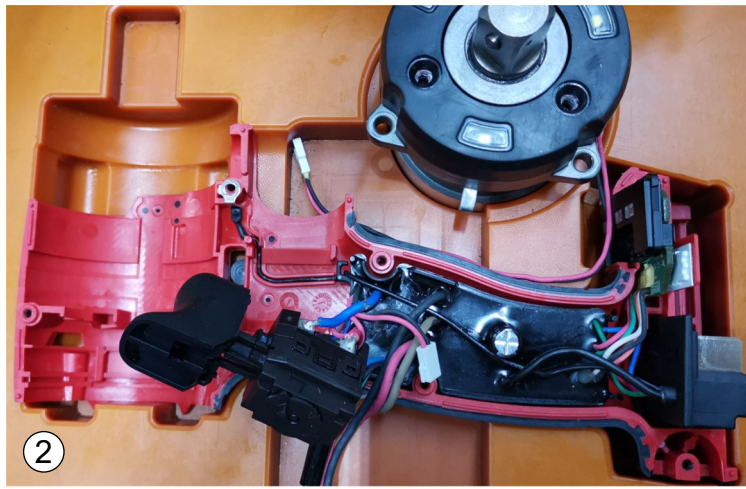
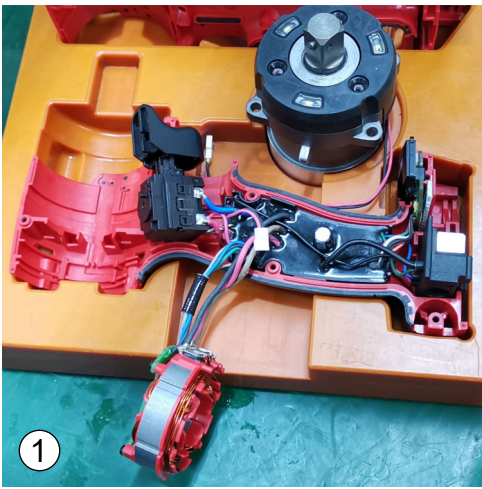
Use Type 'J' Grease, No. 49-08-4220 (16 oz. tub)

**NOTE:** When servicing, remove 90-95% of the existing grease prior to installing Type 'J'. Original grease may be similar in color but not compatible with 'J'. Clean gear assemblies with a clean, dry cloth.

**NOTE**

Regarding parts to be lubricated:

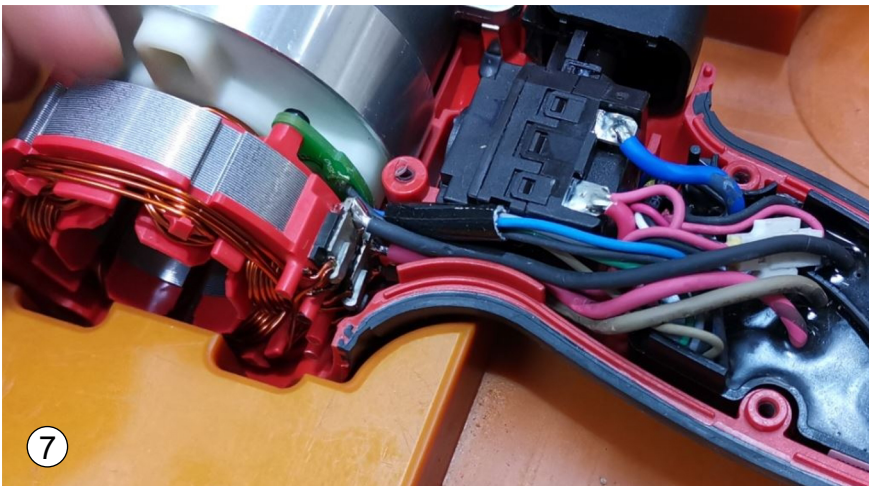
- ① Apply a light coating of grease to these parts.
- ② Apply a liberal amount of grease to these parts.
- ③ Place 1.3g of grease to hammer cavity of impacting system.



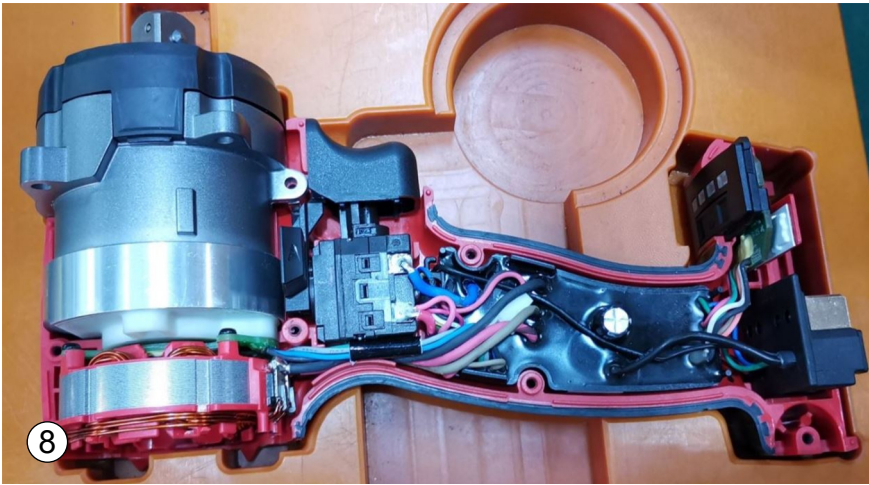
1. Place potting boat assembly in left handle half. Assemble the battery terminal block and mode selector into the corresponding cavities in handle half.
2. Place high voltage ring terminal over the screw boss as shown. Route ground wire through the traps/channels in handle halves being sure wire is seated completely to the bottom.
3. Install the on-off switch over the ground wire and into cavity in handle half. Be sure on-off switch is seated firmly and squarely in position.
4. Route wires from TRI-LED lighting assembly through wire traps on front gearcase. Secure the wires in place with a 1" strip of Kapton tape (or an equivalent).

5. Assemble gearcase assembly into handle half. Route wires from TRI-LED lighting assembly as shown, placing wires firmly down in traps. Be sure gearcase is seated firmly and squarely in handle.
6. Join connector of shadowless lighting assembly with connector of potting boat assembly.

Continue on next page...



7



8



9

7. Install stator to the rear of the handle half. Place stator wires in handle half cavity, behind on-off switch in the following order from bottom to top: gray, purple and black. Be sure stator is firmly and squarely in handle cavity and that stator wires are pushed completely down below the top edge of handle.
8. Check that all electrical and mechanical components are properly in place in handle half. Be sure there are no interferences creating pinched wires.
9. Install right handle half (cover) over left handle half (support). Check for the proper functionality of switch and shuttle. Secure handle halves together with five M3 x 16mm screws (41) and two M3 x 38mm screws (42). Carefully install rotor/back cap assembly into stator and onto the rear of tool (see illustration). Secure with four M3 x 16mm screws.

