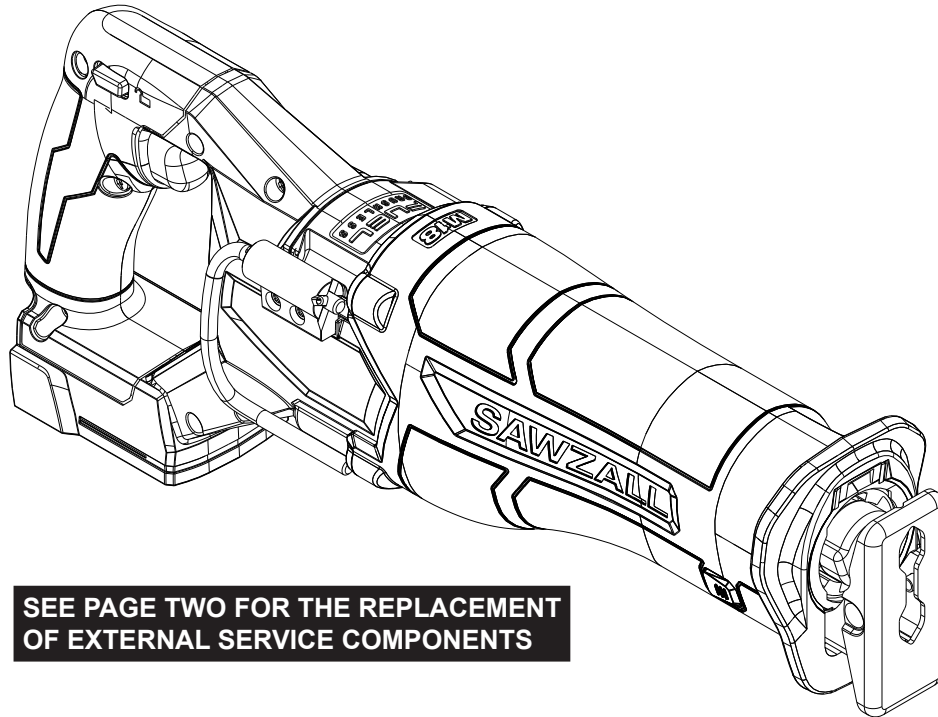




## SERVICE PARTS LIST

BULLETIN NO.  
54-00-2822

SPECIFY CATALOG NO. AND SERIAL NO. WHEN ORDERING PARTS			REVISED BULLETIN	DATE
M18™ FUEL™ SAWZALL® Reciprocating Saw w/ONE-KEY™				Nov. 2020
CATALOG NO.	2822-20	STARTING SERIAL NO.	WIRING INSTRUCTION	
		L52A		



SEE PAGE TWO FOR THE REPLACEMENT  
OF EXTERNAL SERVICE COMPONENTS

**Due to the complexities of One-Key™ electronics  
and/or  
Hydraulic/Pneumatic construction in this tool,  
contact the following for service related questions and issues:**

**e-Service at: [www.milwaukeetool.com/e-service](http://www.milwaukeetool.com/e-service)**

or

questions, please call 1.800.SAWDUST (1.800.729.3878)

or

Visit [www.milwaukeetool.com](http://www.milwaukeetool.com) to find your closest  
Milwaukee authorized Hydraulic repair center

or

Return it to a MILWAUKEE *factory* Service Center location, freight prepaid and insured.  
A copy of the proof of purchase should be included with the return product.

If you have questions please contact Milwaukee Product Service at:

**Product Technical Support via phone at: 262.783.8642**

or

**Via email at: [METProductSupport@milwaukeetool.com](mailto:METProductSupport@milwaukeetool.com)**

**Disassembly is not recommended and could void the warranty.**



# SERVICE PARTS LIST

**BULLETIN NO.**  
**54-00-2822**

SPECIFY CATALOG NO. AND SERIAL NO. WHEN ORDERING PARTS		REVISED BULLETIN	DATE
<b>M18™ FUEL™ SAWZALL® Reciprocating Saw w/ONE-KEY™</b>			Nov. 2020
<b>CATALOG NO.</b>	<b>2822-20</b>	<b>WIRING INSTRUCTION</b>	
	<b>STARTING SERIAL NO.</b>	<b>L52A</b>	

**EXAMPLE:**  
Component Parts (Small #) Are Included  
When Ordering The Assembly (Large #).

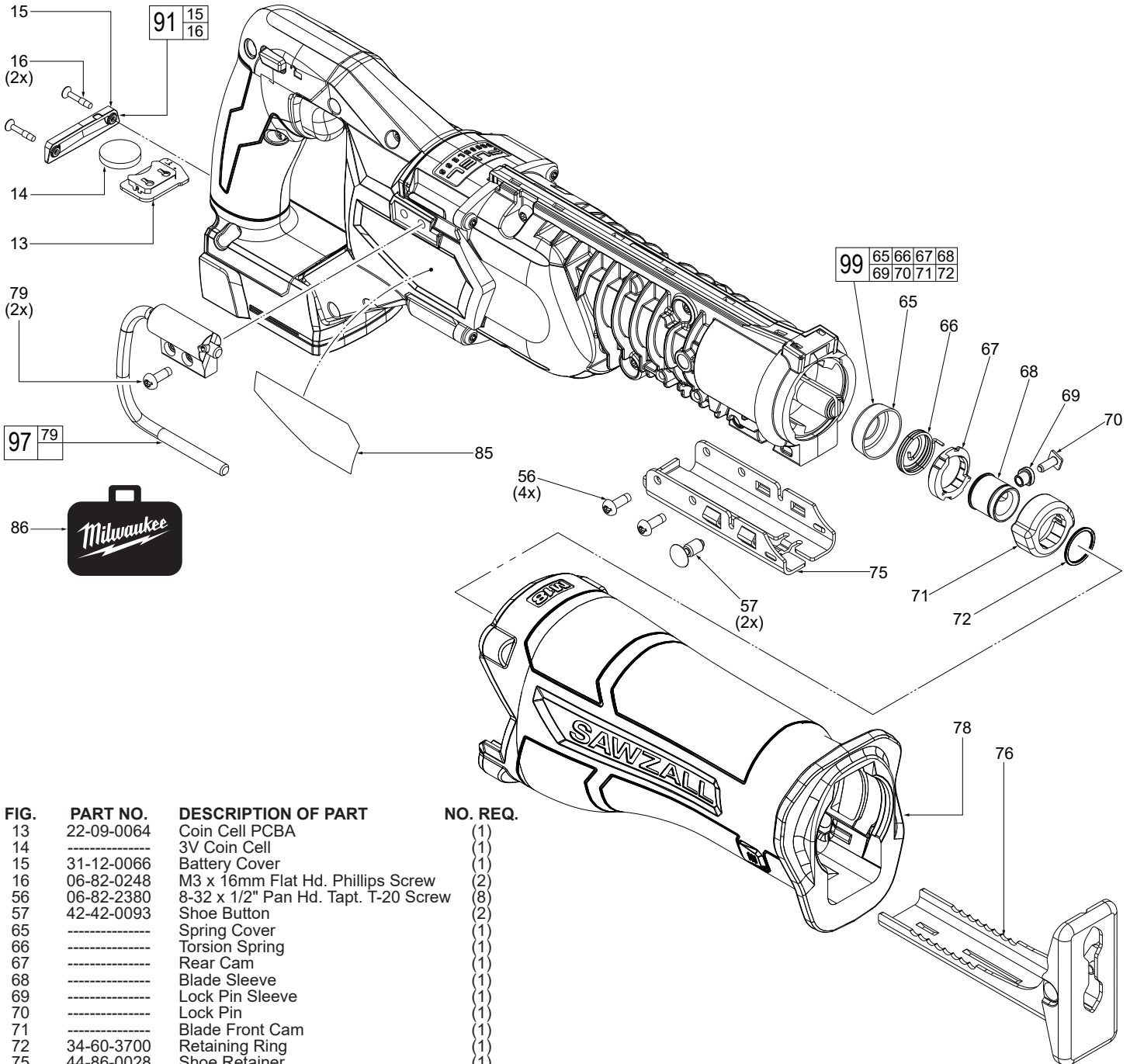


FIG.	PART NO.	DESCRIPTION OF PART	NO. REQ.
13	22-09-0064	Coin Cell PCBA	(1)
14	-----	3V Coin Cell	(1)
15	31-12-0066	Battery Cover	(1)
16	06-82-0248	M3 x 16mm Flat Hd. Phillips Screw	(2)
56	06-82-2380	8-32 x 1/2" Pan Hd. Tapt. T-20 Screw	(8)
57	42-42-0093	Shoe Button	(2)
65	-----	Spring Cover	(1)
66	-----	Torsion Spring	(1)
67	-----	Rear Cam	(1)
68	-----	Blade Sleeve	(1)
69	-----	Lock Pin Sleeve	(1)
70	-----	Lock Pin	(1)
71	-----	Blade Front Cam	(1)
72	34-60-3700	Retaining Ring	(1)
75	44-86-0028	Shoe Retainer	(1)
76	45-16-0026	Shoe Assembly	(1)
78	45-12-0027	Insulation Boot	(1)
79	05-74-0735	M4 x 10mm Fillister Hd. T-20 Screw	(2)
85	12-20-0523	Service Nameplate	(1)
86	42-55-0118	Blow Molded Carrying Case	(1)
91	22-09-0068	Battery Cover Service Kit	(1)
97	43-74-0073	Raft Hook Service Kit	(1)
99	42-68-0026	Blade Clamp Service Kit	(1)