



SERVICE PARTS LIST

BUL.54-12-6040

1-1/4" ELECTRIC DRILL

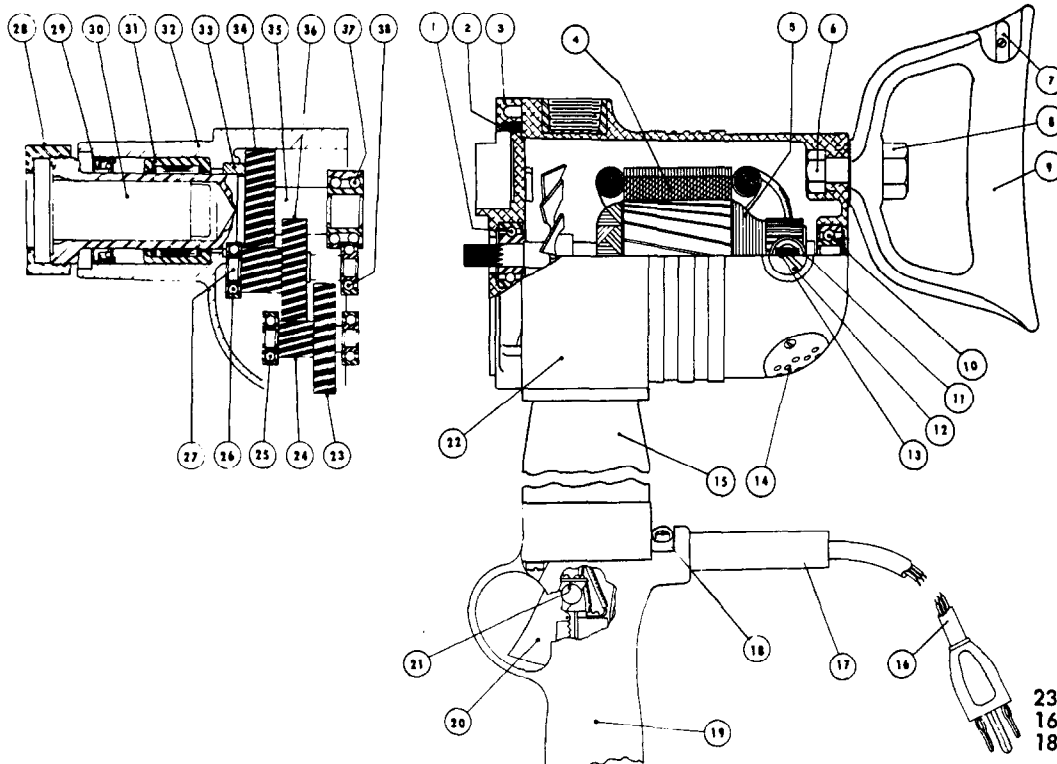
REVISED BUL 6170-1 DATE Feb. '68

Catalog No. 2800

Starting Serial No. **170-1001**

WIRING INSTR. **58-01-0610**

Both Model and Serial No. must be furnished to obtain correct parts.



230V Motor
16-86-1200 Armature
18-86-1060 Field

ILLUSTRATED PARTS

| FIG. | PART NO. | DESCRIPTION OF PART | FIG. | PART NO. | DESCRIPTION OF PART |
|------|------------|-------------------------------------------|--------|------------|-------------------------------|
| 1 | 02-04-1140 | Ball Bearing | 20 | 23-66-0330 | Switch |
| 2 | 45-30-0070 | Ball Bearing Retaining Slug | (3) 21 | 42-36-0230 | Switch Bracket |
| 3 | 28-28-1181 | Diaphragm | 22 | 28-50-4161 | Motor Housing |
| 4 | 18-82-1070 | Field Assembly | 23 | 32-42-1201 | 1st Intermediate Gear |
| 5 | 16-82-1220 | Armature Assembly | *24 | 36-66-3451 | 1st Intermediate Pinion Shaft |
| 6 | 06-75-0850 | 1/2-13x1 1/2 Spade Handle Bolt (Hex. Hd.) | 25 | 02-04-0910 | Ball Bearing |
| 7 | | Not Used | 26 | 02-04-1210 | Ball Bearing |
| 8 | 06-55-2850 | Spade Handle Jam Nut | 27 | 36-66-0571 | 2nd Intermediate Pinion Shaft |
| 9 | 28-44-7121 | Spade Handle | 28 | 42-52-0050 | Taper Socket Cap |
| 10 | 02-04-1070 | Ball Bearing | 29 | 45-06-0080 | Spindle Oil Seal |
| 11 | 22-22-0015 | Brush Holder Assembly | 30 | 45-34-0050 | Taper Socket |
| 12 | 23-44-0030 | Brush Retaining Screw | 31 | 02-50-9640 | Spindle Roller Bearing |
| 13 | 22-18-0055 | Carbon Brush Assembly | 32 | 28-14-0121 | Gear Case |
| 14 | 44-66-0180 | Air Intake Cover Plate | 33 | 42-24-0070 | Thrust Bearing |
| 15 | 28-86-1501 | Switch Handle Spacer | 34 | 32-75-1261 | Spindle Gear |
| 16 | 22-64-0070 | Cord Set | 35 | 38-50-0701 | Spindle |
| 17 | 23-82-0040 | Cord Protector Tube | *36 | 32-44-1281 | 2nd Intermediate Gear |
| 18 | 28-17-0200 | Cord Clamp | 37 | 02-20-1720 | Ball Bearing |
| 19 | 28-44-9001 | Switch Handle | 38 | 02-04-1020 | Ball Bearing |

MISCELLANEOUS PARTS NOT SHOWN

| PART NO. | DESCRIPTION OF PART | PART NO. | DESCRIPTION OF PART |
|------------|--------------------------------------------------|------------|------------------------------------------------|
| 12-98-0900 | Name Plate | 06-97-2200 | Kantlink Lock Washers (2) |
| 06-81-7900 | 1/4-20x1 1/2 Fil.Hd. Gear Case Scs. Sems (2) | 06-97-3800 | Kantlink Lock Washers (2) |
| 06-81-1975 | 1/4-20x2 1/4 Fil.Hd. Gear Case Screws (2) | 06-42-1200 | Woodruff Key |
| 06-81-1150 | 10-24x3-1/8 Fil.Hd. Field Screws (2) | 06-42-2000 | Woodruff Key |
| 06-81-8650 | 6-32x1/4 Rd.Hd. Switch Mounting Screws Sems (2) | 06-42-2400 | Woodruff Key |
| 06-81-3400 | 6-32x1/4 Oval Hd. Switch Bracket Screws (2) | 06-83-2650 | 1/4-20x3/8 Hd'less Brush Holder Set Screws (2) |
| 06-81-7900 | 1/4-20x1 1/2 Fil.Hd. Switch Han.Scs. Sems (4) | 06-81-7800 | 1/4-20x1/4 Fil.Hd. Spacer Screws Sems (4) |
| 06-81-8650 | 6-32x1/4 Rd. Hd. Sem Air Intake Plate Screws (2) | 43-62-0120 | Pipe Handle |
| 06-81-8400 | 4-40x1/4 Rd. Hd. Sem Name Plate Screws (2) | 23-16-0200 | Insulator |
| 06-81-6150 | 8-32x1/2 Fil. Hd. Sem Cord Clamp Screws (2) | 06-81-8625 | 6-32x1/4 Rd. Hd. (Bronze) Ground Screw |
| 23-86-0060 | Insulating Washer (2) | 06-97-1800 | Lock Washer (4) |