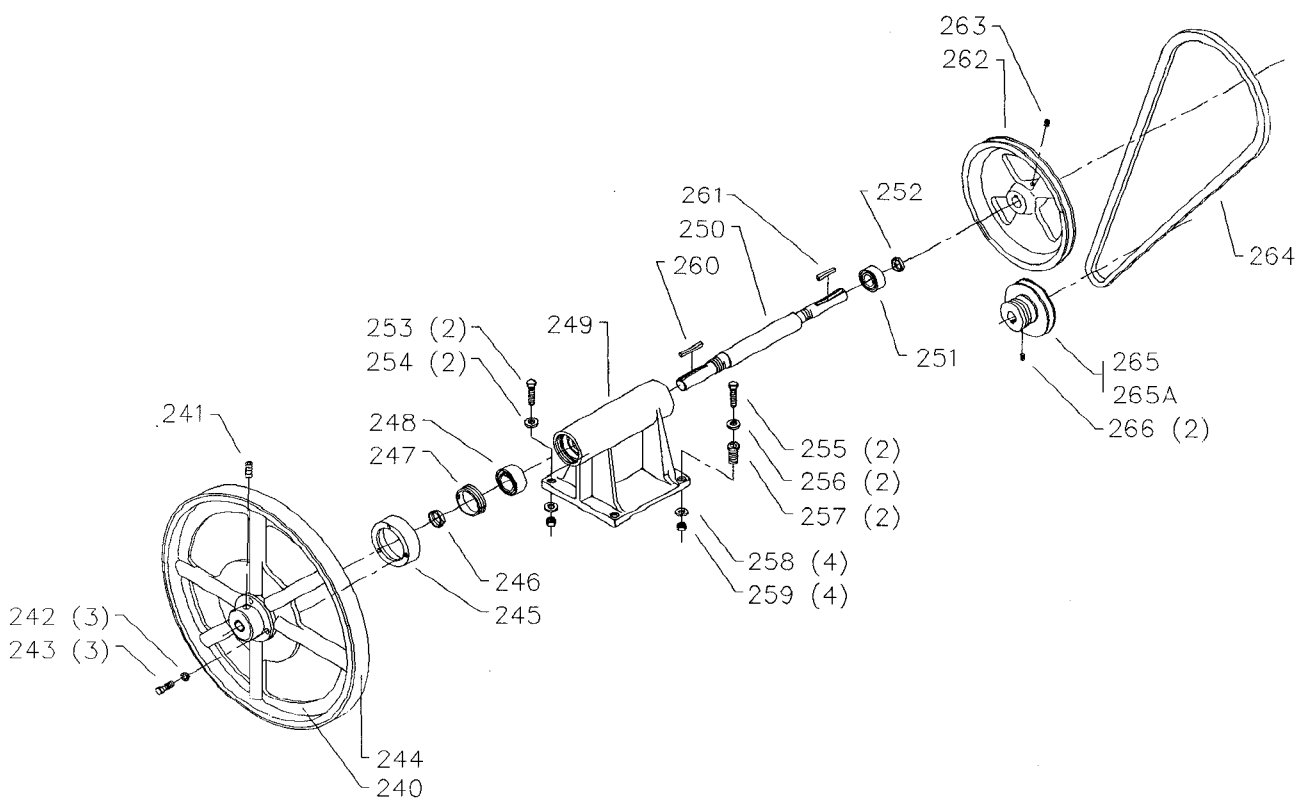
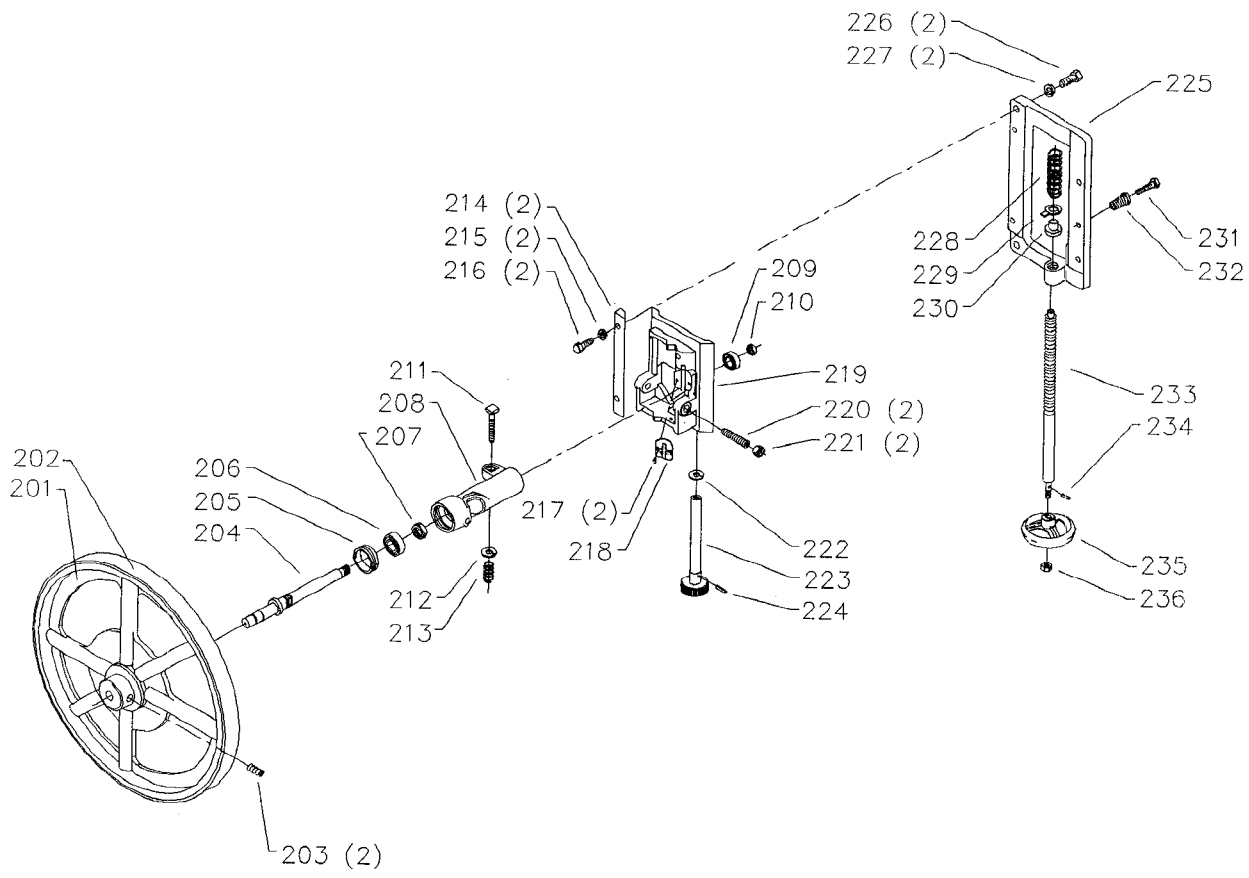
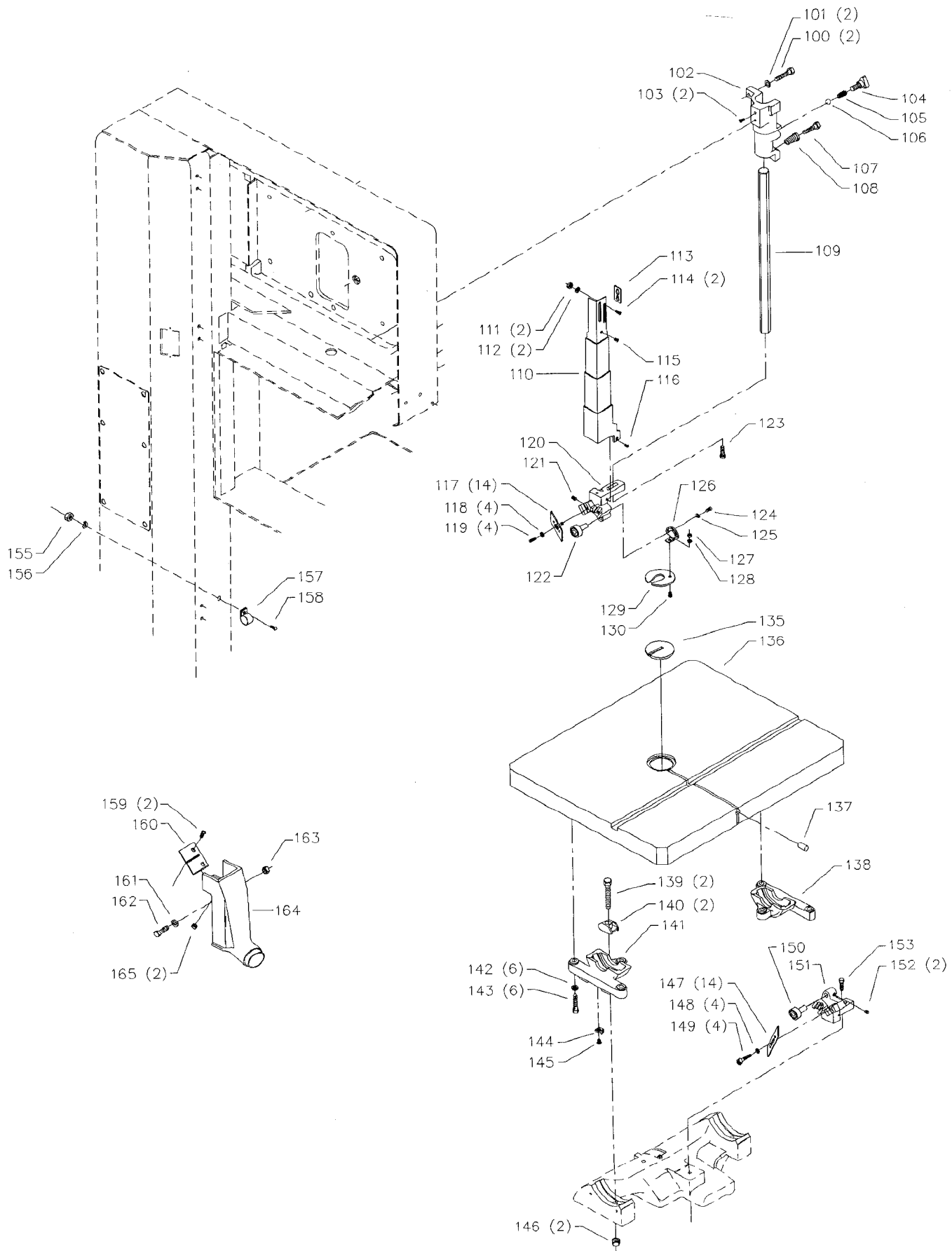


28-720 CHIP BLOWER
(AVAILABLE AS AN ACCESSORY)





Parts List for 28-654 Type 2

Item Number	Part Number	Description	Qty Required
1	000000-00	No Longer Available	1
2	000000-00	No Longer Available	1
3	901020100502	MACHINE SCREW	6
4	5140099-99	LOCK WASHER	8
5	901021400584	SCREW	8
6	901064502250S	DRIVE SCREW	4
7	426047540001	NAMEPLATE	1
8	000000-00	No Longer Available	1
9	000000-00	No Longer Available	1
10	902011201203S	HEX NUT	2
11	5140099-99	LOCK WASHER	2
12	426050685001	LATCH	1
13	901020100561S	MACHINE SCREW	2
14	000000-00	No Longer Available	1
15	000000-00	No Longer Available	1
16	902011201203S	HEX NUT	2
17	5140099-99	LOCK WASHER	2
18	426050685001	LATCH	1
19	901020100561S	MACHINE SCREW	2
20	000000-00	No Longer Available	1
22	000000-00	No Longer Available	1
23	904150107008	RING	2
24	904030301656S	LOCK WASHER	2
25	1202596	STUD	2
26	904020101703S	LOCK WASHER	2
27	902010205435S	JAM NUT	2
28	000000-00	No Longer Available	1

Parts List for 28-654 Type 2

Item Number	Part Number	Description	Qty Required
30	426040175001	BRASS BUSHING	1
31	000000-00	No Longer Available	1
32	426040675002	TREADLE	1
33	000000-00	No Longer Available	1
34	000000-00	No Longer Available	1
35	000000-00	No Longer Available	1
36	426040145003	BRACKET	1
37	901010600648S	CAP SCREW	2
38	426040795007	RETAINER	1
39	904010101615	STEEL WASHER	2
40	904020201704S	LOCK WASHER	2
41	000000-00	No Longer Available	2
42	426043155001	BRAKE SHOE	1
43	489191-00	HEX NUT	1
44	904010101606S	STEEL WASHER	1
45	426041085003	BRAKE ROD	1
46	000000-00	No Longer Available	1
47	904010101606S	STEEL WASHER	1
48	905050402107	COTTER PIN	1
49	000000-00	No Longer Available	1
50	000000-00	No Longer Available	1
51	000000-00	No Longer Available	1
52	904100212096	COLLAR	1
53	901041500206	SET SCREW	1
54	426040175001	BRASS BUSHING	1
55	901010600642	CAP SCREW	1
56	426040045003	STOP BAR	1

Parts List for 28-654 Type 2

Item Number	Part Number	Description	Qty Required
57	901040200306	SET SCREW	1
58	489026-00	HEX NUT	1
59	000000-00	No Longer Available	1
60	000000-00	No Longer Available	1
61	901064502252	DRIVE SCREW	2
62	426050315018	REAR COVER	1
63	000000-00	No Longer Available	1
64	901021400584	SCREW	2
65	000000-00	No Longer Available	2
66	901010603102S	CAP SCREW	2
67	904010101615	STEEL WASHER	2
68	901010600648S	CAP SCREW	2
100	901010600617	CAP SCREW	2
101	904010101615	STEEL WASHER	2
102	426040145011	BRACKET	1
103	901020100593	MACHINE SCREW	2
104	000000-00	No Longer Available	1
105	928010413361	COIL SPRING	1
106	921010100031	STEEL BALL	1
107	901010603102S	CAP SCREW	1
108	000000-00	No Longer Available	1
109	000000-00	No Longer Available	1
110	000000-00	No Longer Available	1
111	902011201203S	HEX NUT	2
112	5140099-99	LOCK WASHER	2
113	426050145020	GUARD BRACKET	1
114	901020107562	SCREW	2

Parts List for 28-654 Type 2

Item Number	Part Number	Description	Qty Required
115	901020100558	MACHINE SCREW	1
116	901020100558	MACHINE SCREW	1
117	426050635008	INSERT	14
118	904010101614S	STEEL WASHER	4
119	901030100760	CAP SCREW	4
120	000000-00	No Longer Available	1
120	426050145036	BRACKET	1
121	901041500206	SET SCREW	1
122	426053805001	ROLLER ASSY	1
123	901010600649S	CAP SCREW	1
124	901021400584	SCREW	1
125	904010101609	STEEL WASHER	1
126	426040145013	BRACKET	1
127	902011201203S	HEX NUT	1
128	491958-00	LOCK WASHER	1
129	1200464	FINGER GUARD	1
130	901021400584	SCREW	1
135	426040635001S	INSERT	1
136	426053910001	TABLE	1
137	426020710001S	PIN	1
138	426040955002	REAR TRUNNION	1
139	901010603114	CAP SCREW	2
140	426020270001	CLAMP SHOE	2
141	426040955001	FRONT TRUNNION	1
142	904020201704S	LOCK WASHER	6
143	901010600617	CAP SCREW	6
144	402050755001	POINTER	1

Parts List for 28-654 Type 2

Item Number	Part Number	Description	Qty Required
145	901020100502	MACHINE SCREW	1
146	000000-00	No Longer Available	1
147	426050635008	INSERT	14
148	904010101614S	STEEL WASHER	4
149	901030100760	CAP SCREW	4
150	426053805001	ROLLER ASSY	1
151	426050145036	BRACKET	1
152	901041500206	SET SCREW	2
153	901010600649S	CAP SCREW	1
155	902011201203S	HEX NUT	1
156	000000-00	No Longer Available	1
157	438010040082	5/8 DIA CLAMP	1
158	901021400584	SCREW	1
159	901020100559	MACHINE SCREW	2
160	000000-00	No Longer Available	1
161	904010101615	STEEL WASHER	1
162	901010600648S	CAP SCREW	1
163	902010401026S	HEX NUT	1
164	426040265001	DUST CHUTE	1
165	902011201203S	HEX NUT	2
201	426044005001	UPPER WHEEL	1
202	426040945002	TIRE	1
203	000000-00	No Longer Available	2
204	000000-00	No Longer Available	1
205	406030790001	SPANNER NUT	1
206	920040205383	BEARING	1
207	426040795006	JAM NUT	1

Parts List for 28-654 Type 2

Item Number	Part Number	Description	Qty Required
208	000000-00	No Longer Available	1
208	000000-00	No Longer Available	1
209	920080205336	BEARING	1
210	902012012558	JAM NUT	1
211	901110102371	MACHINE BOLT	1
212	904010101606S	STEEL WASHER	1
213	928010414148	COIL SPRING	1
214	426040525001	GIB	2
215	904020201704S	LOCK WASHER	2
216	901010600642	CAP SCREW	2
217	901020100567S	MACHINE SCREW	2
218	426040725009	TENSION SCALE	1
219	000000-00	No Longer Available	1
220	000000-00	No Longer Available	2
221	902010201266	HEX JAM NUT	2
222	904010101606S	STEEL WASHER	1
223	426054095001	EXTENSION	1
224	905010102704	ROLL PIN	1
225	426040725007	SLIDE PLATE	1
226	901010600628	CAP SCREW	2
227	904020201705	LOCK WASHER	2
228	928010414149	COIL SPRING	1
229	951010113992	POINTER	1
230	426040745001	SPRING CAP	1
231	901010603102S	CAP SCREW	1
232	000000-00	No Longer Available	1
233	1201927	TENSION SCREW	1

Parts List for 28-654 Type 2

Item Number	Part Number	Description	Qty Required
234	905010102711	ROLL PIN	1
235	930010331336	HANDWHEEL	1
236	489191-00	HEX NUT	1
240	426044005002	LOWER WHEEL	1
241	000000-00	No Longer Available	1
242	491957-00	LOCK WASHER	3
243	901010600623	CAP SCREW	3
244	426040945002	TIRE	1
245	426040155003	BRAKE DRUM	1
246	426040795005	JAM NUT	1
247	426040795004	SPANNER NUT	1
248	920040216559	BEARING	1
249	426043585001	LOWER HEADSTOCK	1
249	426040585002	HEADSTOCK	1
250	426041065006	DRIVE SHAFT	1
251	920040224020	BEARING	1
252	426040795006	JAM NUT	1
253	901010600648S	CAP SCREW	2
254	904010101615	STEEL WASHER	2
255	901010603102S	CAP SCREW	2
256	904010101606S	STEEL WASHER	2
257	000000-00	No Longer Available	2
258	904010101606S	STEEL WASHER	4
259	902010401026S	HEX NUT	4
260	927030102653S	KEY	1
261	927030102620	KEY	1
262	1201866	PULLEY	1

Parts List for 28-654 Type 2

Item Number	Part Number	Description	Qty Required
263	901041500231S	SET SCREW	1
264	925010121066	V-BELT	1
265	41-709	20IN BS PLY-7/8 BO	1
265	000000-00	No Longer Available	1
266	000000-00	No Longer Available	2
272	438010040007S	CLAMP	1
273	000000-00	No Longer Available	1
302	908130617669	BELT	1
303	41-052	PULLEY	1
304	901041500206	SET SCREW	1
305	000000-00	No Longer Available	1
306	000000-00	No Longer Available	1
307	1086894S	BEARING	1
308	000000-00	No Longer Available	1
309	901010600651	CAP SCREW	12
310	000000-00	No Longer Available	1
311	000000-00	No Longer Available	1
312	000000-00	No Longer Available	1
313	901010600623	CAP SCREW	2
314	904010101620S	WASHER	2
315	489026-00	HEX NUT	2
316	000000-00	No Longer Available	1
317	426053615001	HOSE ASSY	1
317	426050615001	HOSE	1
318	426053465003	FILTER ASSY	1
319	000000-00	No Longer Available	1
320	426050635009	INSERT	4

Parts List for 28-654 Type 2

Item Number	Part Number	Description	Qty Required
321	000000-00	No Longer Available	1
322	000000-00	No Longer Available	1
323	1086894S	BEARING	1
324	000000-00	No Longer Available	1
325	000000-00	No Longer Available	1
326	904151017147S	RET RING	1
327	000000-00	No Longer Available	1
350	000000-00	No Longer Available	1