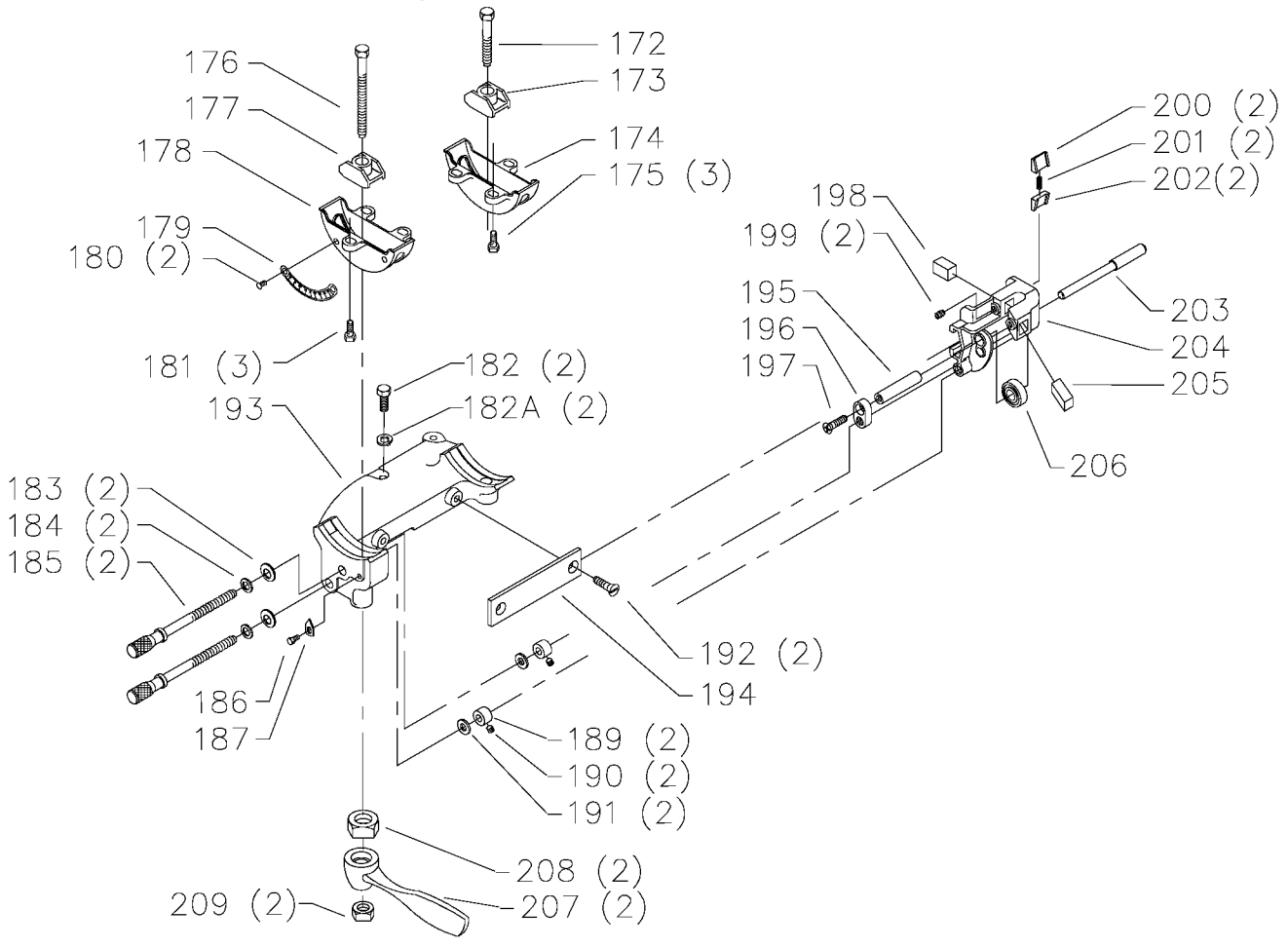
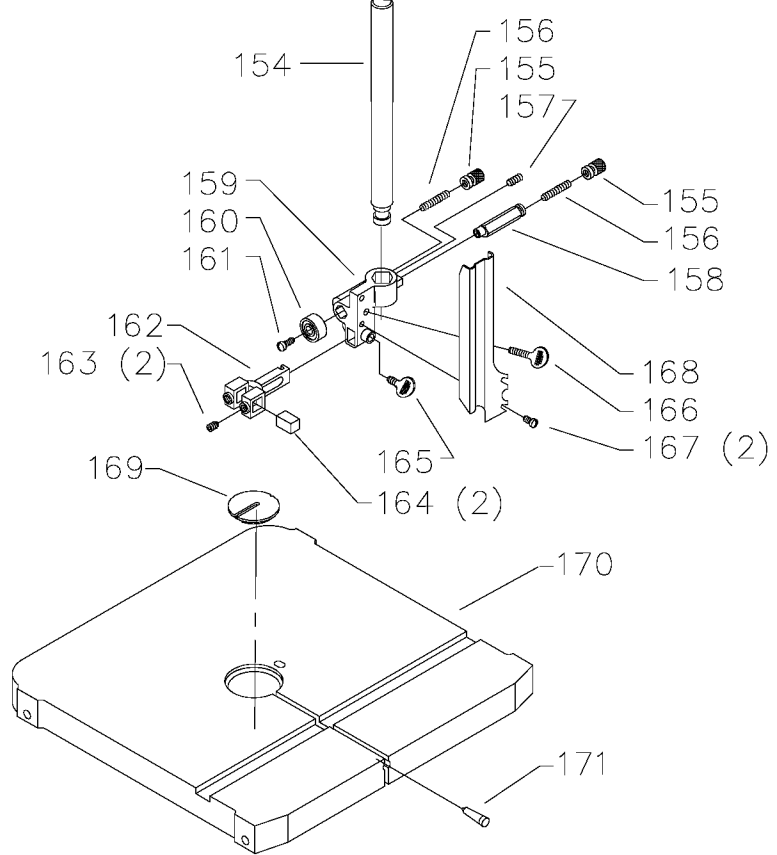
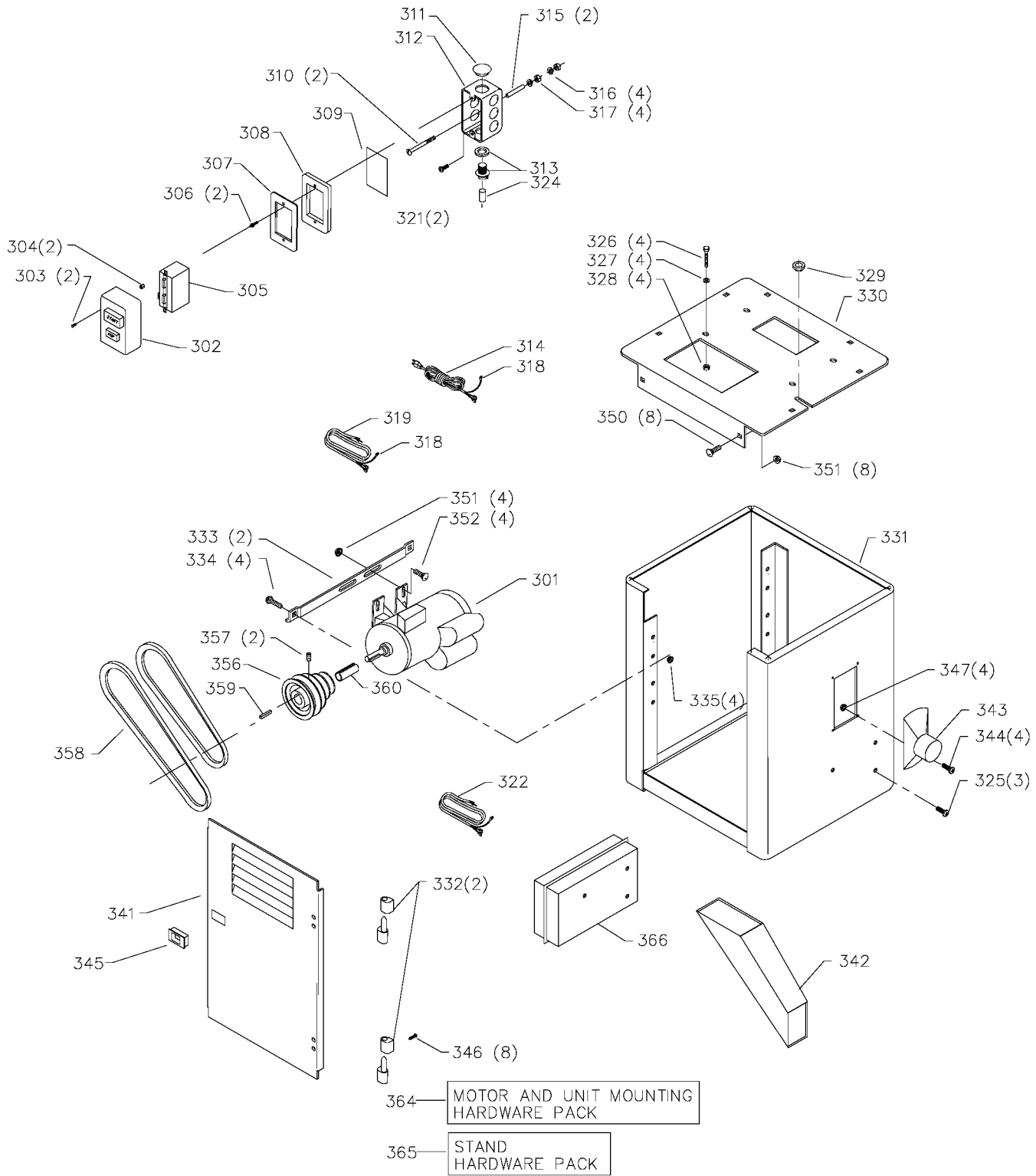


GEAR OIL

* WHEN INSTALLING SEAL (REF NO 143),
 CELLOPHANE TAPE SHOULD BE WRAPPED
 AROUND THE SHARP EDGES OF THE KEY WAY
 SLOT ON THE SHAFT TO AVOID INSTALLATION
 DAMAGE TO THE SEAL.





Parts List for 28-348F Type 1

Item Number	Part Number	Description	Qty Required
1	426023540049S	GUARD	1
2	426020600001	KNOB	1
3	426020710002	DOOR LOCK STUD	1
4	902012931513S	KEPS NUT	1
5	902010201227S	HEX JAM NUT	1
6	426034000008	UPPER WHEEL ASSY	1
7	426020940003S	TIRE	1
8	920040107273	BEARING	2
9	426020750001	POINTER	1
9	901030431917	10-32X5/8 SCREW	1
10	426021040006S	SPACER	1
11	901020121910	RD HD SCREW	1
12	904010101615	STEEL WASHER	1
13	426020540017	BLADE GUARD	1
14	901027631527	CAP SCREW	1
15	904010101615	STEEL WASHER	1
16	426020890010	UPPER FRAME	1
17	426021110006	STUD	1
18	426023540048	GUARD	1
19	902011331529S	1/4-20 FLANGED NUT	3
20	901027631527	CAP SCREW	2
21	904010101620S	WASHER	1
22	426021110012	HEX STUD	1
23	426021220003	DOOR CATCH	1
24	901020512860	SCREW	1
25	904010322477	SPECIAL WASHER	1
26	426021060004	UPPER WHEEL SHAFT	1

Parts List for 28-348F Type 1

Item Number	Part Number	Description	Qty Required
27	426020590001	HINGE	1
29	426020140003	SLIDING BRACKET	1
30	905041413146	STEEL PIN	1
31	902040101403	WING NUT	1
32	901042614010	THUMB SCR	1
33	928016031902	SPRING	1
33	904010331451	WASHER	1
34	904070105572	FIBRE WASHER	1
35	902020501317	SPEC NUT	1
36	426023270004	KNOB	1
37	901010609062	BOLT	1
38	904010101611	STEEL WASHER	1
39	904020201707	LOCK WASHER	1
40	902011001027	HEX NUT	1
42	438010040082	5/8 DIA CLAMP	1
43	901030103318S	SCREW	1
49	426021220004	SPRING CLIP	1
51	901030100763	CAP SCREW	2
53	426020360001	DUST DEFLECTOR	1
54	426021110011	PIVOT STUD	1
54	904150620283S	RET RING	1
55	426020880002	STOP	1
56	901010631656S	SCREW	3
57	901010631909	SCREW	1
57	928060131910	WASHER	1
58	426021110012	HEX STUD	1
59	426021220003	DOOR CATCH	1

Parts List for 28-348F Type 1

Item Number	Part Number	Description	Qty Required
60	901020512860	SCREW	1
69	426023540055	GUARD	1
69	000000-00	No Longer Available	1
69	426027540011	NAME PLATE	1
69	422047520185	LABEL	1
70	000000-00	No Longer Available	3
71	000000-00	No Longer Available	1
72	000000-00	No Longer Available	1
73	426020710002	DOOR LOCK STUD	1
74	902012931513S	KEPS NUT	1
75	426020600001	KNOB	1
76	000000-00	No Longer Available	1
77	000000-00	No Longer Available	1
77	432091120004	SPECIAL SCREW	1
78	426020510001	GEAR RING	1
78	901030431917	10-32X5/8 SCREW	2
78	902012931513S	KEPS NUT	2
79	000000-00	No Longer Available	1
80	931010131898	KNOB	1
81	432010140003	CLAMP BLOCK	2
82	901030100229S	CAP SCREW	1
83	904010131885	WASHER	5
84	901030408015S	CAP SCREW	3
85	426023540056	GUARD	1
86	426020710003	PIN	1
86	921011100001	BALL	1
87	426020740001	RUBBER BALL	1

Parts List for 28-348F Type 1

Item Number	Part Number	Description	Qty Required
88	901041900225S	SET SCREW	1
89	426027520080	LABEL	1
90	000000-00	No Longer Available	1
91	908250131915	O-RING	1
92	426020190001	CAM ACCUATOR	1
93	902030231914	PUSH NUT	1
94	426020310004	COVER	1
95	928018031911	SPRING	1
96	000000-00	No Longer Available	1
97	426020670001	HANDLE	1
98	424021380005	BALL HANDLE	1
99	905010106715S	ROLL PIN	2
100	902012012560	JAM NUT	1
101	426034000006	LOWER WHEEL	1
102	426020940003S	TIRE	1
103	920080205398	BEARING	1
104	905040714460	DOWEL PIN	4
105	000000-00	No Longer Available	1
105	000000-00	No Longer Available	1
106	906000002437	1/2 PIPE PLUG	1
107	906000003545	90 DEG STREET ELL	1
108	906000002438	1/8 PIPE PLUG	1
109	000000-00	No Longer Available	1
110	901041700261	SET SCREW	1
111	904102113871	KNOB	1
112	426030170001	BUSHING	1
113	426031080002	SHIFT ROD	1

Parts List for 28-348F Type 1

Item Number	Part Number	Description	Qty Required
114	426030170003	FELT BUSHING	1
115	908000003695	O RING	1
116	927011002640	HI-PRO KEY	3
117	426031060013	SHAFT	1
118	904150107420	RING	1
119	926019915608	DRIVE PULLEY	1
120	920750113914	BUSHING	1
121	904150107420	RING	1
122	905010102732S	ROLL PIN	1
123	426030280006	CLUTCH	1
124	904150107420	RING	2
125	920040231203	BEARING	1
126	928060213393	WASHER	1
127	901041509417	SET SCREW	1
128	905010102732S	ROLL PIN	1
129	000000-00	No Longer Available	1
131	000000-00	No Longer Available	1
131	000000-00	No Longer Available	1
132	920070805397	BEARING	1
133	426030790002	RETAINER	1
134	904101413882	SPACER	1
135	000000-00	No Longer Available	1
136	901020100559	MACHINE SCREW	6
137	905010105075	ROLL PIN	2
138	928070107354	LOAD SPRING	1
139	920040205375	BEARING	1
140	000000-00	No Longer Available	1

Parts List for 28-348F Type 1

Item Number	Part Number	Description	Qty Required
141	426034060011	SHAFT ASSY	1
142	927030102651	KEY	1
143	908000005253	SEAL	1
144	920040205374	BEARING	1
145	920040205375	BEARING	2
146	000000-00	No Longer Available	1
147	928070107354	LOAD SPRING	1
148	000000-00	No Longer Available	1
149	901010600626S	CAP SCREW	7
150	905040714460	DOWEL PIN	2
151	41-724	3/4IN BO-4STP PULY	1
152	901041500206	SET SCREW	2
154	426020550001	GUIDE POST	1
155	902080413064S	NUT	2
156	901041500297S	SET SCREW	2
157	901041900207S	SET SCREW	1
158	426021060009S	HEXAGON SHAFT	1
159	426023550002S	UPPER BLADE GUIDE	1
159	426020890002S	BRACKET	1
160	920080201457S	BEARING	1
161	901030408015S	CAP SCREW	1
162	426020140004S	BRACKET	1
162	426023550003	BRACKET ASSY	1
163	901041900225S	SET SCREW	2
164	952020113254S	GUIDE BLOCK	2
165	901042601520S	THUMB SCREW	1
166	901042601528S	THUMB SCREW	1

Parts List for 28-348F Type 1

Item Number	Part Number	Description	Qty Required
167	901030408015S	CAP SCREW	2
168	426020540001	BLADE GUARD	1
169	426020630001S	INSERT-24SS ONLY	1
170	426023910009S	TABLE	1
171	426020710001S	PIN	1
172	901010631906	SCREW	1
173	426020270001	CLAMP SHOE	1
174	426020950002S	TRUNNION	1
175	901027631530	CAP SCREW	3
176	901010631907	SCREW	1
177	426020270001	CLAMP SHOE	1
178	426023950005	TRUNNION ASSY	1
179	426021320001S	SCALE	1
180	903030231333S	RIVIT	2
181	901027631530	CAP SCREW	3
182	901010600602	CAP SCREW	2
182	904020101703S	LOCK WASHER	2
183	928050131378	SPRING WASHER	2
184	904070105571S	FIBRE WASHER	2
185	426024120004	ADJ SCREW W/KNOB	2
186	901030122144	SCREW	1
187	951010107802S	POINTER	1
189	426033880001	SET COLLAR ASSY	2
190	491950-00	SET SCREW	2
191	904070105571S	FIBRE WASHER	2
192	901020300408	MACHINE SCREW	2
193	426023140008	TRUNNIONSUPPORT ASSY	1

Parts List for 28-348F Type 1

Item Number	Part Number	Description	Qty Required
194	426020040001S	STEEL RAIL	1
195	904101013166S	SPACER	1
196	426020140013S	ADJUSTING LINK	1
197	901030308013S	SCREW	1
198	952020113254S	GUIDE BLOCK	1
199	901041900225S	SET SCREW	2
200	426020980001S	WEDGE	2
201	928010213387S	COIL SPRING	2
202	426020980001S	WEDGE	2
203	426021060011S	SHAFT	1
204	426023550004S	LOWER BLADE GUIDE	1
204	426020140006S	SUPPORT BRACKET	1
205	952020113253S	ANGLE GUIDE BLOCK	1
206	920080201457S	BEARING	1
207	426020330002	HANDLE	2
208	902010205438	HEX JAM NUT	2
209	902012131908	LOCK NUT	2
301	438023146210	MOTOR	1
302	1340100	SWITCH COVER ASSY	1
303	901024431899	SCREW	2
304	402071045007S	SPACER	2
305	438010170101S	SWITCH	1
306	402071115002S	STUD	2
307	438010210149S	SWITCH PLATE	1
308	422041160001S	GASKET	1
309	438010110036	INSULATION	1
310	901021207533	MACHINE SCREW	2

Parts List for 28-348F Type 1

Item Number	Part Number	Description	Qty Required
311	438010110064	PLUG	1
312	438010010079	UTILITY BOX	1
313	438010040007S	CLAMP	1
314	438013020379S	CORD	1
315	430021040005	1-3/4 SPACER	2
316	491957-00	LOCK WASHER	4
317	489026-00	HEX NUT	4
318	438010180041S	WIRE TERMINAL	2
319	438013020721	CORD	1
321	901030103318S	SCREW	2
322	438013020724S	CORD	1
324	438010110054S	INSULATOR SLEEVE	1
325	901030408015S	CAP SCREW	3
326	901010600613	MACHINE SCREW	4
327	491956-00	WASHER	4
328	902015031514	FLANGED HEX NUT	4
329	438010110078S	INSULATOR	1
330	426020720005S	CABINET TOP	1
331	436013180028S	CABINET	1
331	426023890010S	STAND	1
332	426020590006	HINGE	2
333	436010040022S	MOTOR BRACKET	2
334	901110231476S	BOLT	4
335	902015031865S	NUT	4
341	436011230013S	DOOR	1
342	426023260002S	SHUTE	1
343	406120260001S	DUST CHUTE	1

Parts List for 28-348F Type 1

Item Number	Part Number	Description	Qty Required
344	901024531123S	SCREW	4
345	426020680001	LATCH	1
346	901030103322	CAP SCREW	8
347	902012931513S	KEPS NUT	4
350	901110231476S	BOLT	8
351	902015031865S	NUT	12
352	901110200834S	CARRIAGE BOLT	4
356	741714	3/4IN BO-4STP PULY	1
357	901041500206	SET SCREW	2
358	5140051-35	SET OF 2 VBELTS	1
359	927031018019	KEY	1
360	426030170004	REDUCER	1
364	436017250002S	HARDWARE BAG	1
365	426027250011	HARDWARE PACK	1
366	52-704S	1PH LVC	1
800	999010131210	OIL - 1PT	2