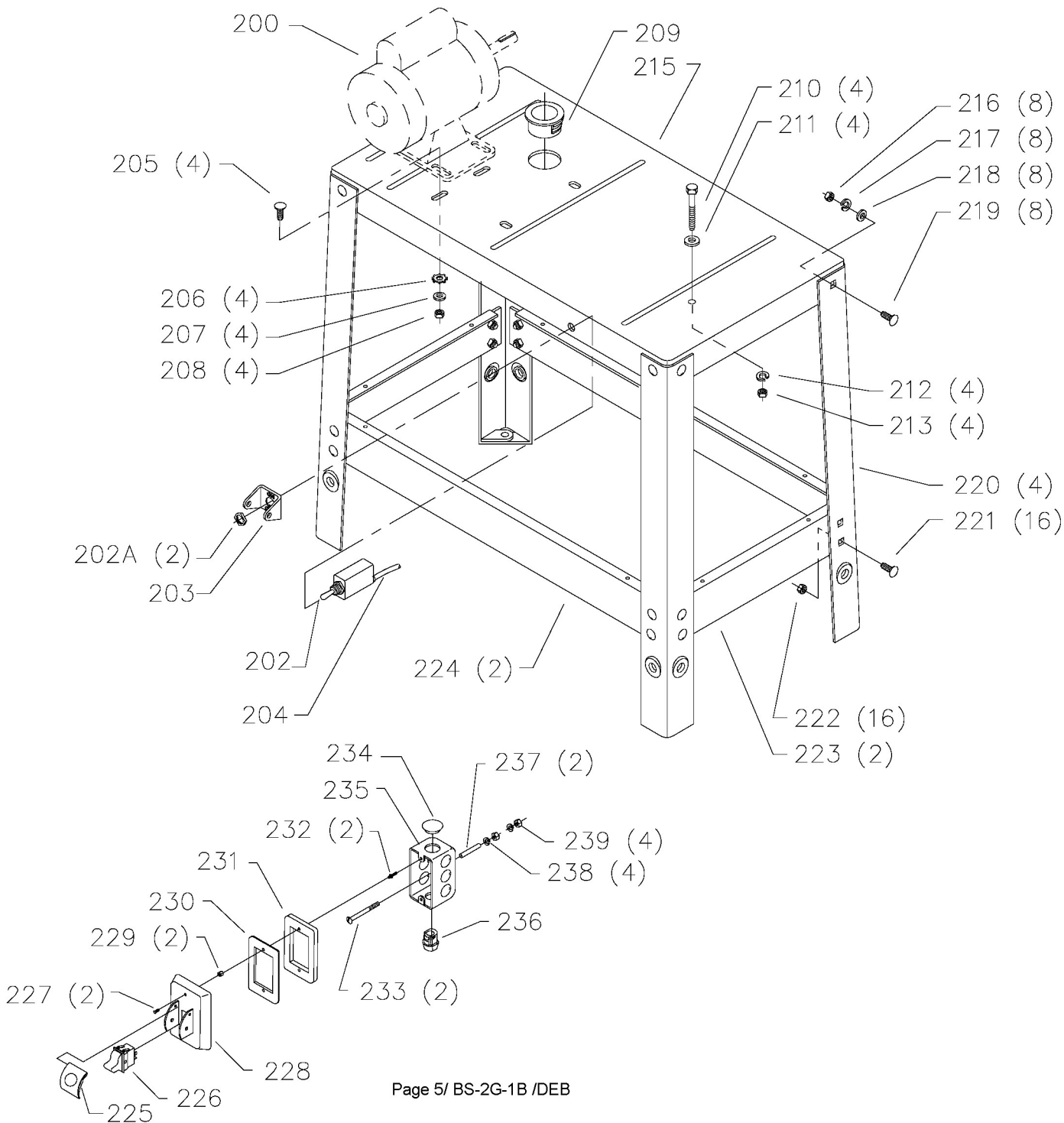
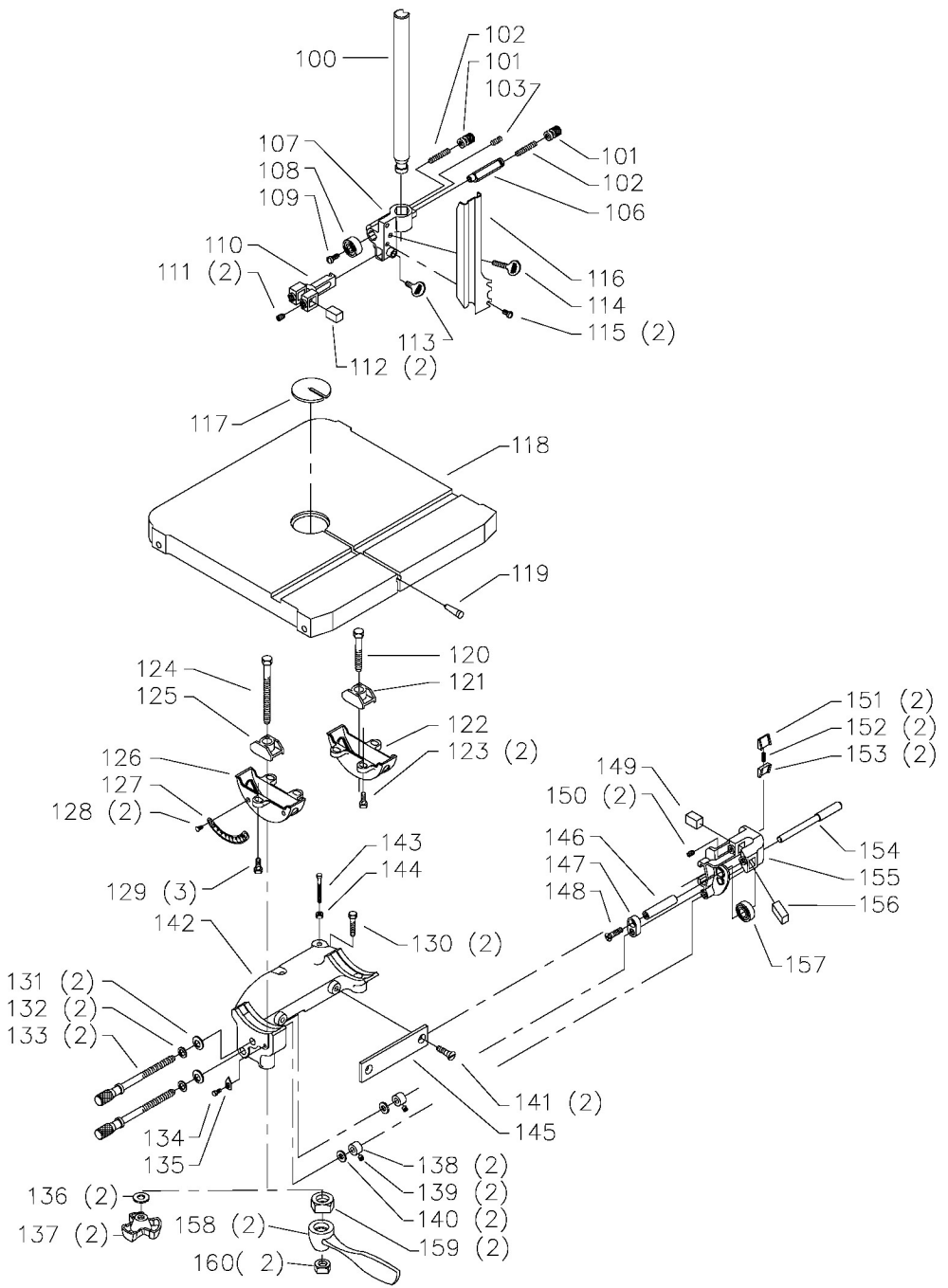


FOR USE WITH MODELS 28-231 & 28-278

- 242 — MOTOR MOUNTING
HARDWARE PACK
 - 243 — BAND SAW MOUNTING
HARDWARE PACK
- 244 — STAND ASSEMBLY
HARDWARE PACK





USE WITH MODELS 28-231 & 28-278

189 — BELT GUARD MTC.
HARDWARE PACK

