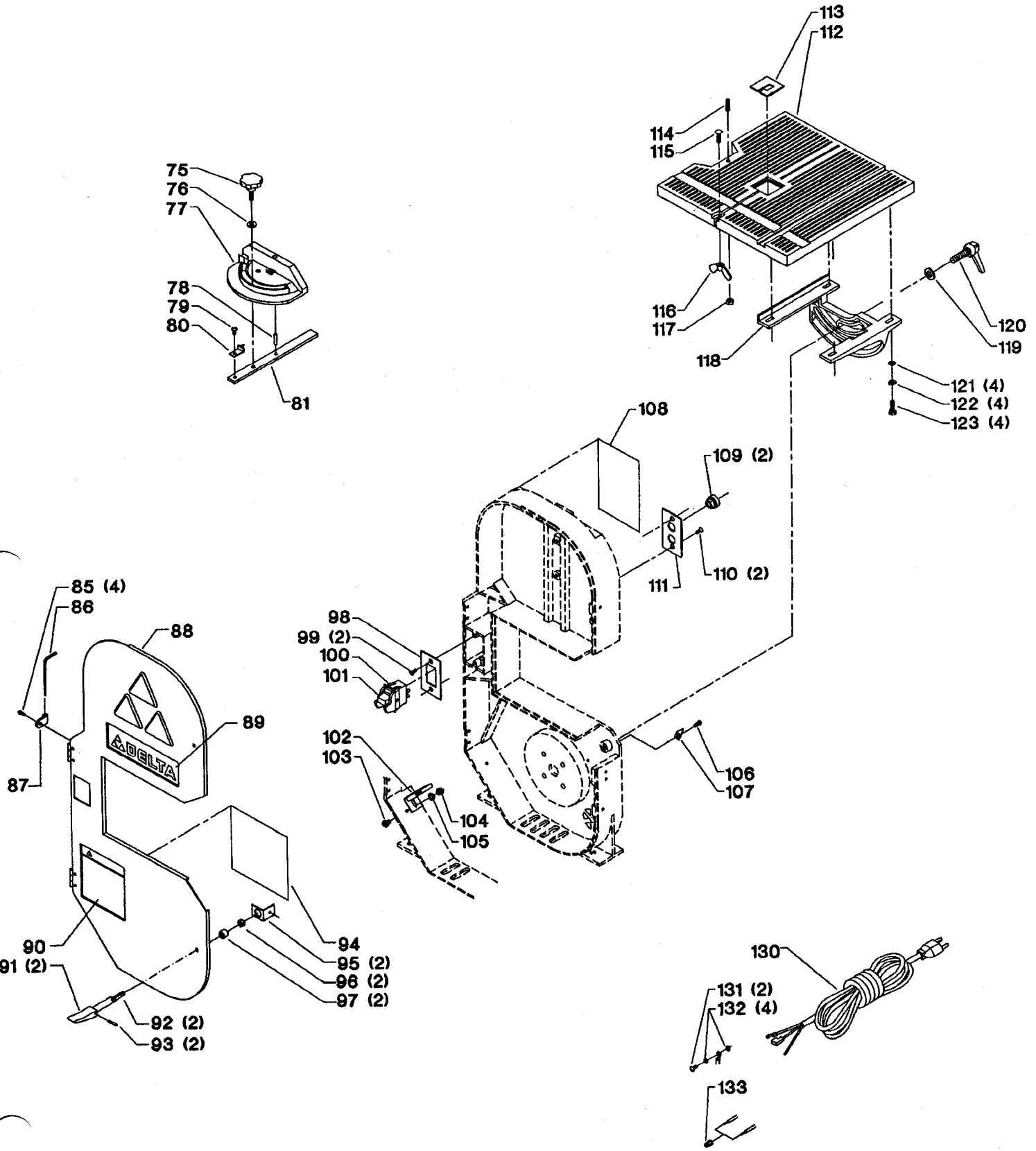


**28-181 FENCE ASSEMBLY**  
(Available As An Accessory)



## Parts List for 28-180 Type 1

| Item Number | Part Number   | Description         | Qty Required |
|-------------|---------------|---------------------|--------------|
| 1           | 1320166       | RETAINING RING      | 2            |
| 2           | 920080205352S | BEARING             | 1            |
| 3           | 000000-00     | No Longer Available | 1            |
| 4           | 1345013       | TIRE                | 1            |
| 5           | 000000-00     | No Longer Available | 1            |
| 6           | 1345015       | HINGE               | 1            |
| 7           | 1243300       | PIN                 | 1            |
| 8           | 1345018       | TENSION BRACKET     | 1            |
| 9           | 000000-00     | No Longer Available | 3            |
| 10          | 1345017       | BUSHING             | 1            |
| 11          | 1243336       | SCREW               | 1            |
| 12          | 000000-00     | No Longer Available | 1            |
| 13          | 1246119       | ROLL PIN            | 1            |
| 14          | 000000-00     | No Longer Available | 1            |
| 15          | 000000-00     | No Longer Available | 1            |
| 16          | 000000-00     | No Longer Available | 1            |
| 17          | 000000-00     | No Longer Available | 2            |
| 18          | 1345019       | SPRING              | 1            |
| 19          | 1345027       | SPRING              | 1            |
| 20          | 000000-00     | No Longer Available | 1            |
| 21          | 1320601       | CLAMP               | 1            |
| 22          | 000000-00     | No Longer Available | 1            |
| 23          | 000000-00     | No Longer Available | 1            |
| 24          | 000000-00     | No Longer Available | 1            |
| 25          | 1243482       | SCREW               | 1            |
| 26          | 900190        | BLADE GUARD         | 1            |
| 27          | 900074        | WARNING LABEL       | 1            |

## Parts List for 28-180 Type 1

| Item Number | Part Number | Description         | Qty Required |
|-------------|-------------|---------------------|--------------|
| 28          | 000000-00   | No Longer Available | 2            |
| 29          | 1345032     | SHAFT               | 1            |
| 30          | 1320108     | BEARING             | 1            |
| 31          | 1320165     | RETAINING RING      | 1            |
| 32          | 1320170     | GUIDE PIN           | 2            |
| 33          | 000000-00   | No Longer Available | 1            |
| 34          | 000000-00   | No Longer Available | 2            |
| 35          | 000000-00   | No Longer Available | 1            |
| 35          | 000000-00   | No Longer Available | 1            |
| 36          | 1342455     | SCREW               | 1            |
| 37          | 1340719     | CLAMP               | 1            |
| 38          | 1320170     | GUIDE PIN           | 2            |
| 39          | 1341441     | SCREW               | 2            |
| 40          | 000000-00   | No Longer Available | 1            |
| 41          | 000000-00   | No Longer Available | 2            |
| 42          | 1243482     | SCREW               | 2            |
| 43          | 488813-00   | LOCK WASHER         | 4            |
| 44          | 1246113     | MACH SCREW          | 4            |
| 45          | 000000-00   | No Longer Available | 1            |
| 46          | 1345013     | TIRE                | 1            |
| 47          | 488829-00   | SCREW               | 1            |
| 48          | 488808-00   | LOCK WASHER         | 1            |
| 49          | 000000-00   | No Longer Available | 1            |
| 50          | 000000-00   | No Longer Available | 1            |
| 51          | 1345040     | BASE                | 1            |
| 52          | 488822-00   | FLAT WASHER         | 4            |
| 53          | 488813-00   | LOCK WASHER         | 4            |

## Parts List for 28-180 Type 1

| Item Number | Part Number  | Description         | Qty Required |
|-------------|--------------|---------------------|--------------|
| 54          | 1246034      | CAP SCREW           | 4            |
| 75          | 000000-00    | No Longer Available | 1            |
| 76          | 1246140      | FL WASHER           | 1            |
| 77          | 000000-00    | No Longer Available | 1            |
| 77          | 1341576      | BODY                | 1            |
| 78          | 1341576      | BODY                | 1            |
| 79          | 1246088      | MACH SCREW          | 1            |
| 80          | 000000-00    | No Longer Available | 1            |
| 81          | 1341573      | BAR                 | 1            |
| 85          | 1243501      | SCREW               | 4            |
| 86          | 428061010002 | 3MM HEX WRENCH      | 1            |
| 87          | 1345046      | CABLE CLAMP         | 1            |
| 88          | 000000-00    | No Longer Available | 1            |
| 89          | 000000-00    | No Longer Available | 1            |
| 90          | 1345066      | WARNING LABEL       | 1            |
| 91          | 1345041      | LEVER               | 2            |
| 92          | 1345042      | ADJ SCREW           | 2            |
| 93          | 1310310      | ROLL PIN            | 2            |
| 94          | 000000-00    | No Longer Available | 1            |
| 95          | 000000-00    | No Longer Available | 2            |
| 96          | 000000-00    | No Longer Available | 2            |
| 97          | 1345044      | RUBBER SPACER       | 2            |
| 98          | 000000-00    | No Longer Available | 1            |
| 99          | 1246117      | FL HD SCREW         | 2            |
| 100         | 489105-00    | SWITCH              | 1            |
| 101         | 489105-00    | SWITCH              | 1            |
| 101         | 1343758      | KEY                 | 1            |

## Parts List for 28-180 Type 1

| Item Number | Part Number | Description         | Qty Required |
|-------------|-------------|---------------------|--------------|
| 102         | 1345036     | BRUSH               | 1            |
| 103         | 1246067     | MACH SCREW          | 1            |
| 104         | 1243456     | NUT                 | 1            |
| 105         | 1246140     | FL WASHER           | 1            |
| 106         | 1243501     | SCREW               | 1            |
| 107         | 1345033     | POINTER             | 1            |
| 108         | 000000-00   | No Longer Available | 1            |
| 109         | 1320131     | STRAIN RELIEF       | 2            |
| 110         | 1246117     | FL HD SCREW         | 2            |
| 111         | 1345029     | REAR SWITCH PLATE   | 1            |
| 112         | 1345051     | TABLE               | 1            |
| 113         | 900198      | INSERT              | 1            |
| 114         | 1246127     | SET SCREW           | 1            |
| 115         | 1246090     | MACH.SCREW          | 1            |
| 116         | 489127-00   | WING NUT            | 1            |
| 117         | 1243456     | NUT                 | 1            |
| 118         | 000000-00   | No Longer Available | 1            |
| 119         | 1243502     | WASHER              | 1            |
| 120         | 000000-00   | No Longer Available | 1            |
| 121         | 1246140     | FL WASHER           | 4            |
| 122         | 488874-00   | LOCK WASHER         | 4            |
| 123         | 1246015     | CAP SCREW           | 4            |
| 130         | 1345026     | POWER CORD          | 1            |
| 131         | 488855-00   | SCREW               | 2            |
| 132         | 488953-00   | LOCK WASHER         | 4            |
| 133         | 1320175     | CONNECTOR           | 1            |
| 150         | 1246119     | ROLL PIN            | 1            |

## Parts List for 28-180 Type 1

| Item Number | Part Number | Description         | Qty Required |
|-------------|-------------|---------------------|--------------|
| 151         | 000000-00   | No Longer Available | 1            |
| 152         | 000000-00   | No Longer Available | 1            |
| 153         | 488822-00   | FLAT WASHER         | 1            |
| 154         | 1345049     | FENCE BODY          | 1            |
| 155         | 1341951     | SCREW               | 2            |
| 156         | 488874-00   | LOCK WASHER         | 2            |
| 157         | 000000-00   | No Longer Available | 1            |
| 158         | 000000-00   | No Longer Available | 1            |
| 159         | 1345056     | CLAMP               | 1            |
| 160         | 000000-00   | No Longer Available | 1            |
| 161         | 000000-00   | No Longer Available | 1            |
| 162         | 1345053     | BLOCK               | 1            |
| 856         | 000000-00   | No Longer Available | 1            |