



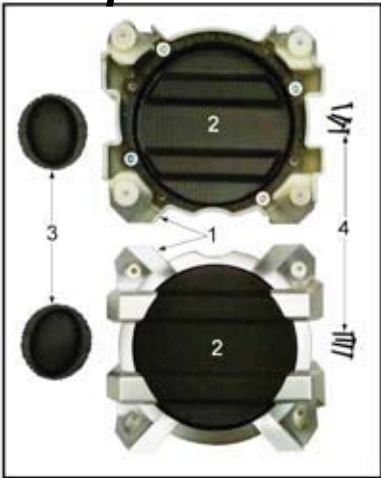
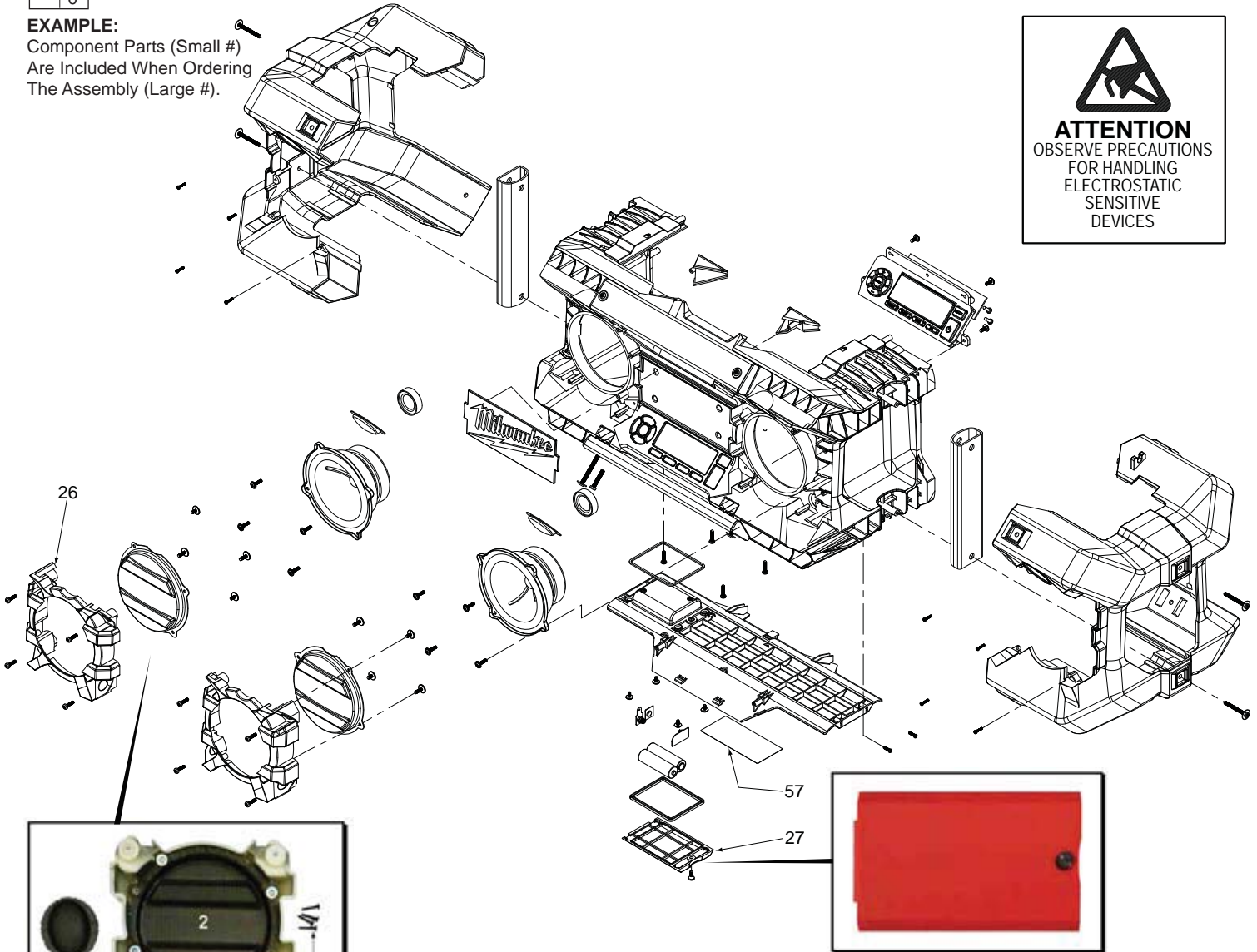
SERVICE PARTS LIST

BULLETIN NO.
55-49-2791

SPECIFY CATALOG NO. AND SERIAL NO. WHEN ORDERING PARTS				REVISED BULLETIN	DATE
JOBSITE RADIO				55-49-2790	July 2013
CATALOG NO.	2790-59	SERIAL NUMBER	E16B	WIRING INSTRUCTION SEE PAGE 3	

00 0

EXAMPLE:
Component Parts (Small #)
Are Included When Ordering
The Assembly (Large #).



FRAME-GRILL KIT
No. 43-40-0675

- Kit includes:
1. Left and right plastic frames
 2. Inner metal grills (assembled to plastic frames as shown in picture)
 3. Tweeter grills
 4. Eight screws to secure the plastic frames to radio

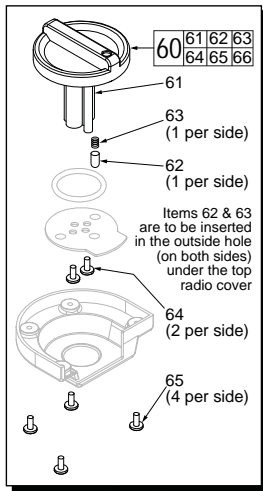


BATTERY COVER
No. 22-68-0280
Includes:
1. LR6 (AA) battery cover
2. Screw
3. Lock washer

FIG.	PART NO.	DESCRIPTION OF PART	NO. REQ.
26	43-40-0675	Frame Grill Kit	(1)
27	22-68-0280	Battery Cover with Screw	(1)
57	-----	Service Nameplate Kit	(1)

- FIG. NOTES**
- 57 A clean, dry surface is essential for proper performance for any adhesive system. The area intended for application of any adhesive label or nameplate must be prepared by cleaning with isopropyl alcohol. The solvent is to be applied with a clean, lint free applicator and the surface allowed to dry before applying the label or nameplate.

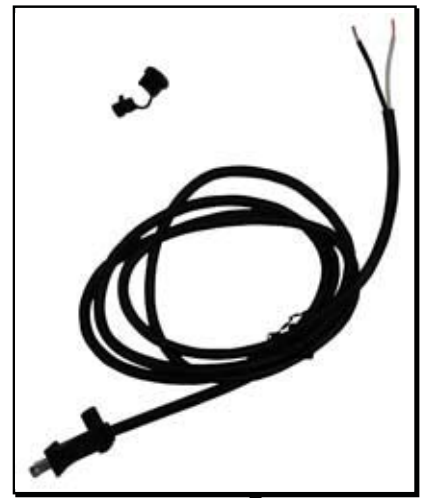
LOCKING KNOB KIT
No. 14-46-2790



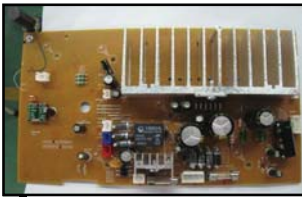
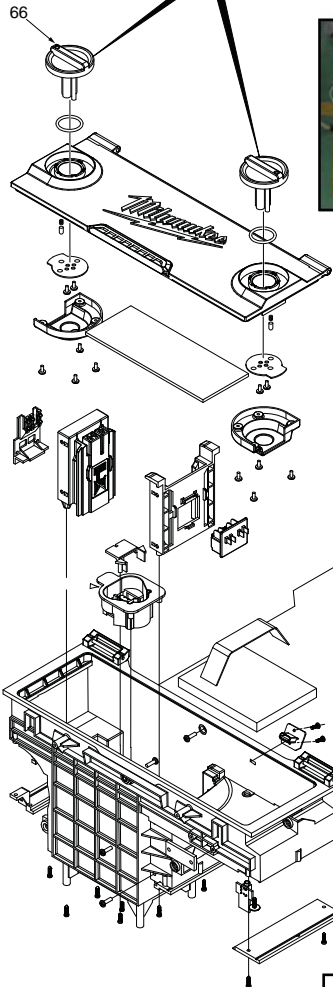
NOTE: When removing the antenna for replacement, care must be taken not to lose the 2 small washers and screw that came with the old antenna. Reuse those parts when installing the new antenna. Washers should be placed on each side of antenna before securing with screw.



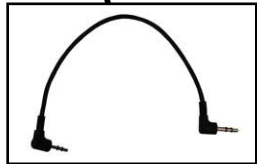
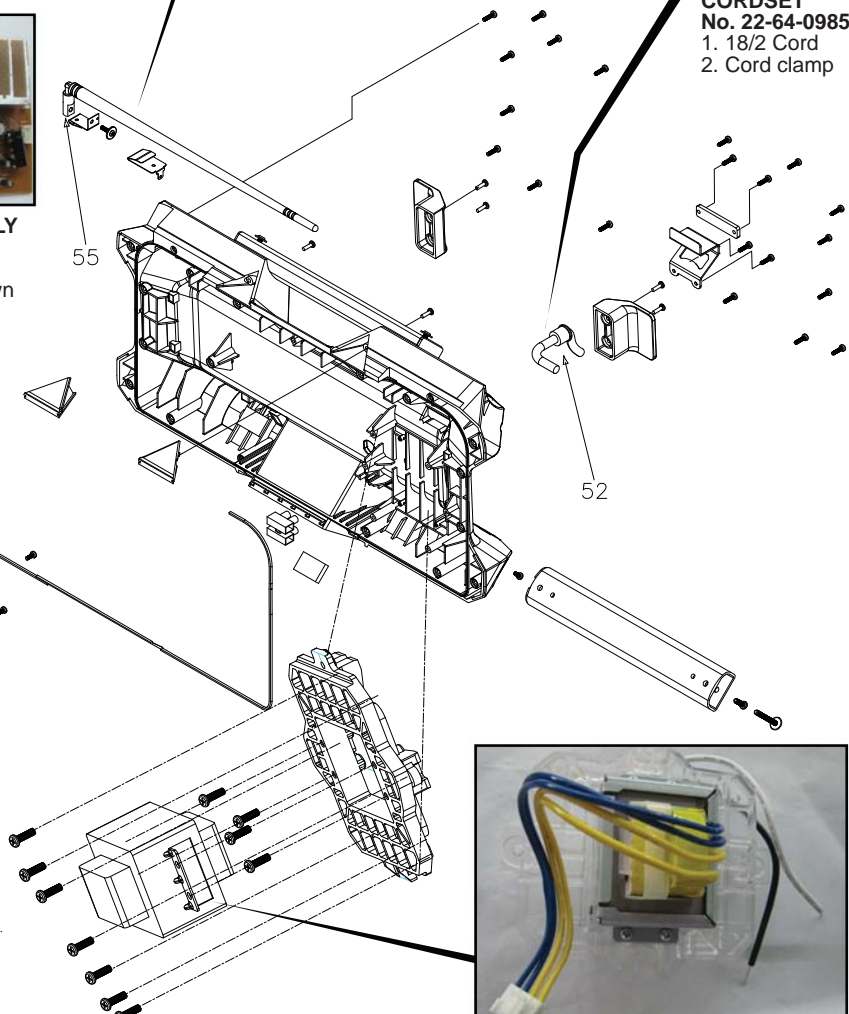
FM ANTENNA ASSEMBLY
No. 42-09-0290



CORDSET
No. 22-64-0985
1. 18/2 Cord
2. Cord clamp



POWER PCB ASSEMBLY
No. 22-09-1231
1. PCB with AM antenna (AM antenna not shown in picture)



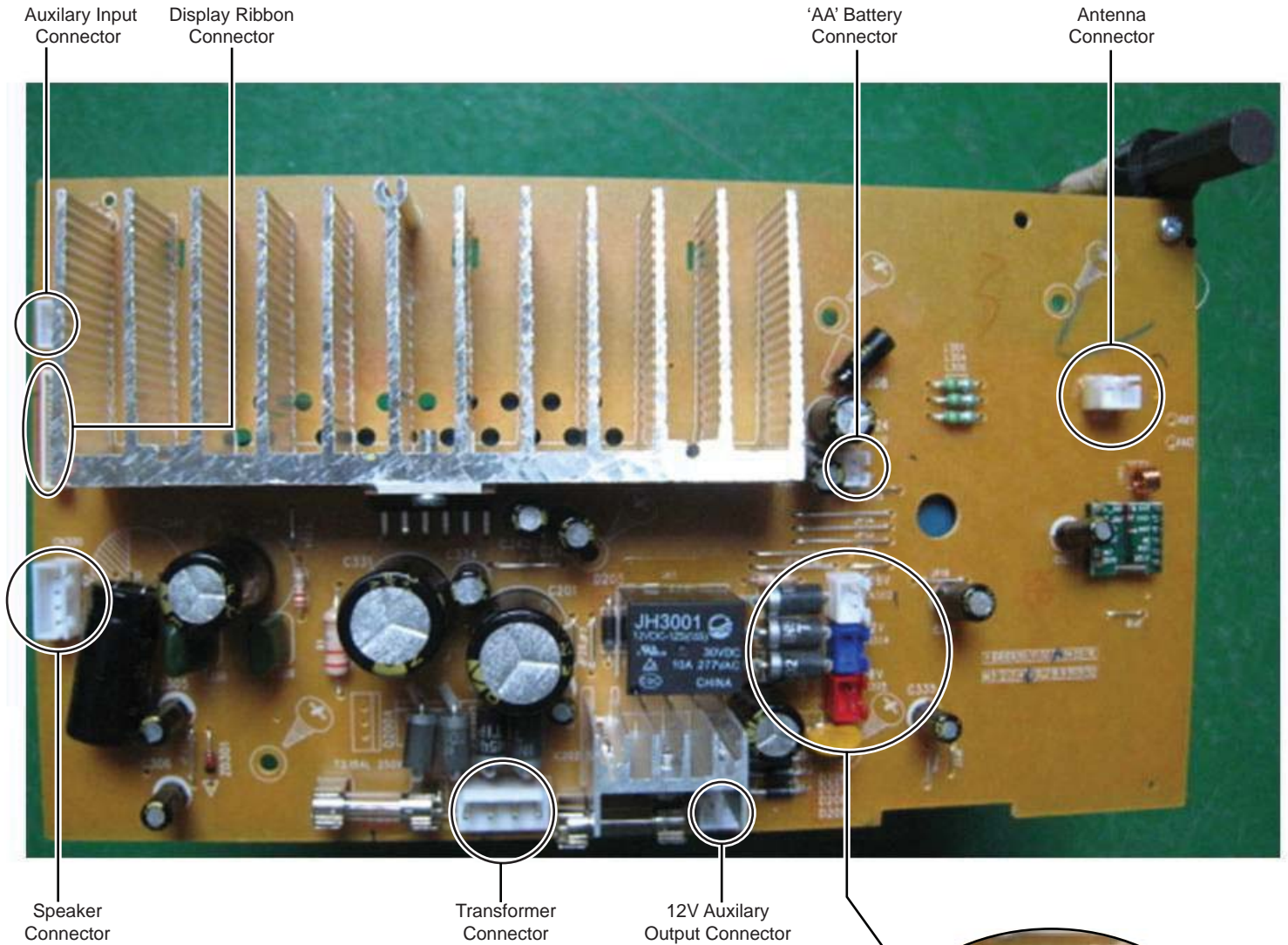
AUXILIARY INPUT CABLE
No. 42-44-0225



TRANSFORMER
No. 23-81-0626



FIG.	PART NO.	DESCRIPTION OF PART	NO. REQ.
50	23-81-0626	Transformer	(1)
52	22-64-0985	Cordset	(1)
55	42-09-0290	Antenna Assembly	(1)
56	22-09-1231	Power PCB Assembly	(1)
59	42-44-0225	Auxiliary Input Cable	(1)
60	14-46-2790	Locking Knob Kit	(1)
61	-----	Locking Knob - Right	(1)
62	-----	Detent Pin	(2)
63	-----	Detent Spring	(2)
64	-----	Screw	(4)
65	-----	Screw	(8)
66	-----	Locking Knob - Left	(1)




ATTENTION
 OBSERVE PRECAUTIONS
 FOR HANDLING
 ELECTROSTATIC
 SENSITIVE
 DEVICES

White 28 volt connector for 28 volt harness with White and black wires

Blue 12 volt connector for 12 volt harness with Blue and black wires

Red 18 volt connector for 18 volt harness with Red and black wires

Connector ports on PCB Assembly are color coded to correspond with the colored wire of the three different voltage wire harnesses.