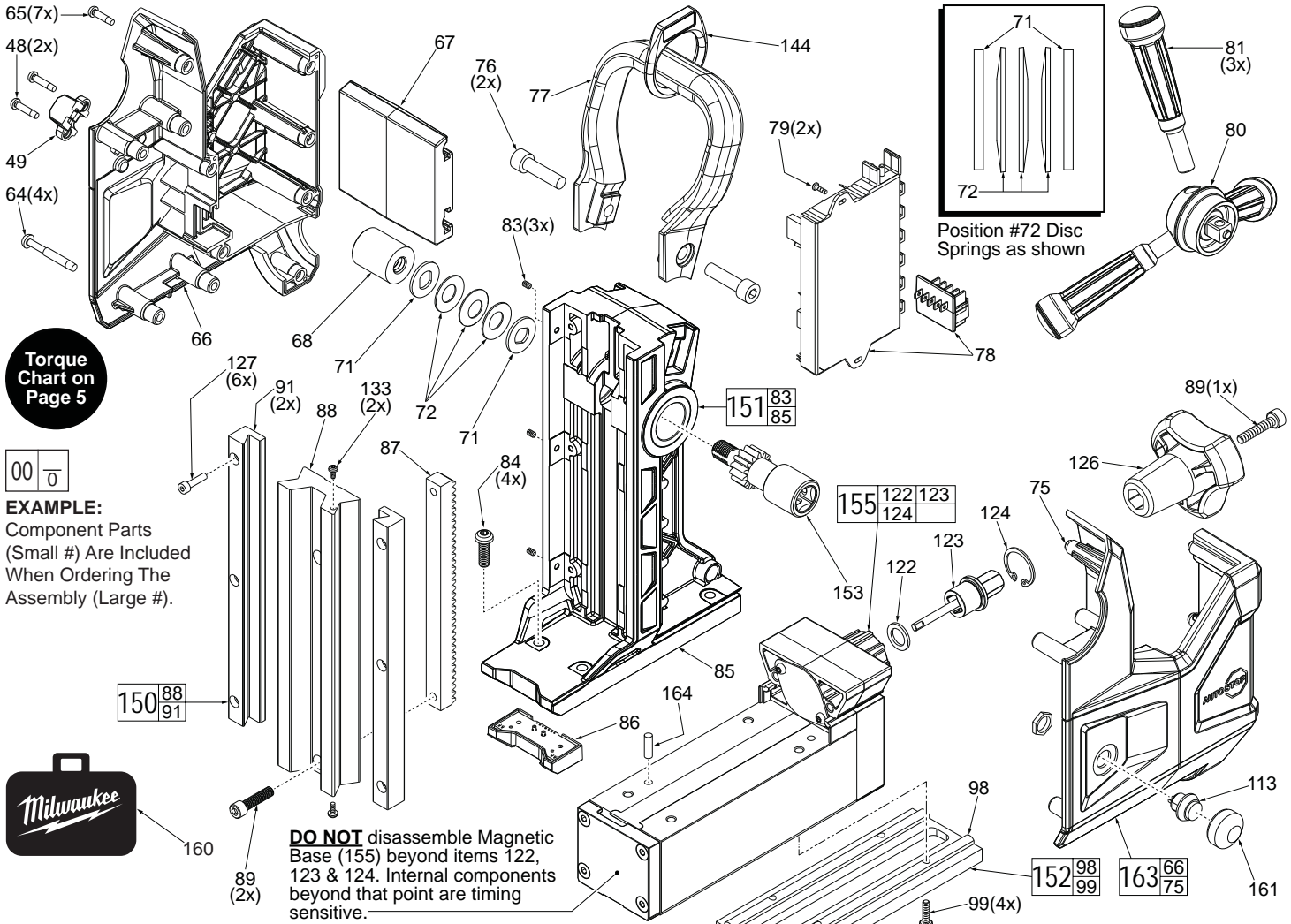




# SERVICE PARTS LIST

**BULLETIN NO.**  
54-46-0420

SPECIFY CATALOG NO. AND SERIAL NO. WHEN ORDERING PARTS		REVISED BULLETIN	DATE
<b>M18™ FUEL™ 1-1/2" Linemen Magnetic Drill</b>			July 2015
<b>CATALOG NO. 2788-20</b>	STARTING SERIAL NUMBER	WIRING INSTRUCTION	
	<b>G57A</b>	<b>See pages 4 and 5</b>	



**Torque Chart on Page 5**

00 0

**EXAMPLE:**  
Component Parts (Small #) Are Included When Ordering The Assembly (Large #).



FIG.	PART NO.	DESCRIPTION OF PART	NO. REQ.
48	06-82-3006	M4 x 18mm Pan Hd. T-20 Screw	(2)
49	31-17-0035	Cable Clamp (Same as on drill motor)	(1)
64	06-82-0009	M5 x 1.5mm Pan Hd. T-25 Screw	(4)
65	06-82-0011	M4 x .625 Pan Hd. T-25 Screw	(7)
66	-----	Housing Cover	(1)
67	44-52-0051	Battery Pad	(1)
68	43-12-0055	Handle Square Driver	(1)
71	45-88-0028	Washer	(2)
72	40-50-0029	Disc Spring	(3)
75	-----	Housing Support	(1)
76	05-74-0014	M8 x 1.125, 6mm Hex Socket Hd. Cap Scr	(2)
77	43-62-0017	Carrying Handle	(1)
78	22-09-0022	PCBA/Battery Connector Block Assembly	(1)
79	05-83-0010	M2.5 x 7/32" Round Hd. Phillips Screw	(2)
80	43-78-0032	Quick Connect Hub Assembly	(1)
81	43-62-0021	Feed Handle	(3)
83	06-83-0015	2mm Hex Set Screw	(3)
84	05-81-2787	1/4-20 x 1", 4.5mm Hex Button Hd. Screw	(4)
85	-----	Magstand Base with Bushings	(1)
86	22-09-0042	Lower Control Board with LED	(1)
87	44-80-0061	Rack	(1)
88	-----	Dovetail	(1)
89	06-75-3050	1/4-20 x 3/4", 3/16" Hex Socket Hd. Screw	(3)
91	-----	Dovetail Rail	(2)
98	-----	Insert Adapter	(1)
99	-----	8-32 Screw	(4)
113	23-66-0017	LED Switch Assembly	(1)

FIG.	PART NO.	DESCRIPTION OF PART	NO. REQ.
122	45-88-0039	Rubber Washer	(1)
123	45-08-0018	Spindle Lock Shaft	(1)
124	44-86-0032	Retaining Ring	(1)
126	43-98-0047	Magnet Control Knob	(1)
127	05-74-0013	3mm Hex Socket Hd. Cap Screw	(6)
133	05-80-2787	M3 Flat Head Machine Screw	(2)
144	44-90-0042	Steel Ring	(1)
150	44-81-0070	Dovetail and Rail Kit	(1)
151	42-20-0015	Magstand Base Assembly	(1)
152	48-10-0130	Pipe Adapter Insert Kit (Accessory)	(1)
153	36-18-0030	Rack/Gear Shaft Assembly	(1)
155	42-20-2787	Magnetic Base/Rear Gearcase Assembly	(1)
160	42-55-0055	Blow Molded Carrying Case	(1)
161	22-68-0020	Rubber Switch Cover	(1)
163	43-76-2787	Housing Assembly	(1)
164	44-60-0002	Alignment Pin	(1)
	45-56-0017	Safety Strap (Not Shown)	(1)
	12-20-0057	Service Nameplate (Not Shown)	(1)
	10-20-0503	Warning Label (Not Shown)	(1)
	10-20-0614	Knob Label (Not Shown)	(1)
	10-20-0616	Permanent Magnet Label (Not Shown)	(1)

**MILWAUKEE ELECTRIC TOOL CORPORATION**  
13135 W. Lisbon Road, Brookfield, WI 53005  
Drwg. 1

**Torque Chart on Page 5**

**SERVICE FIXTURES:**  
 61-30-2787 Rotor Press Fixture  
 61-30-2788 Spindle Bushing Press Fixture  
 61-30-2789 Rotor Removal Fixture

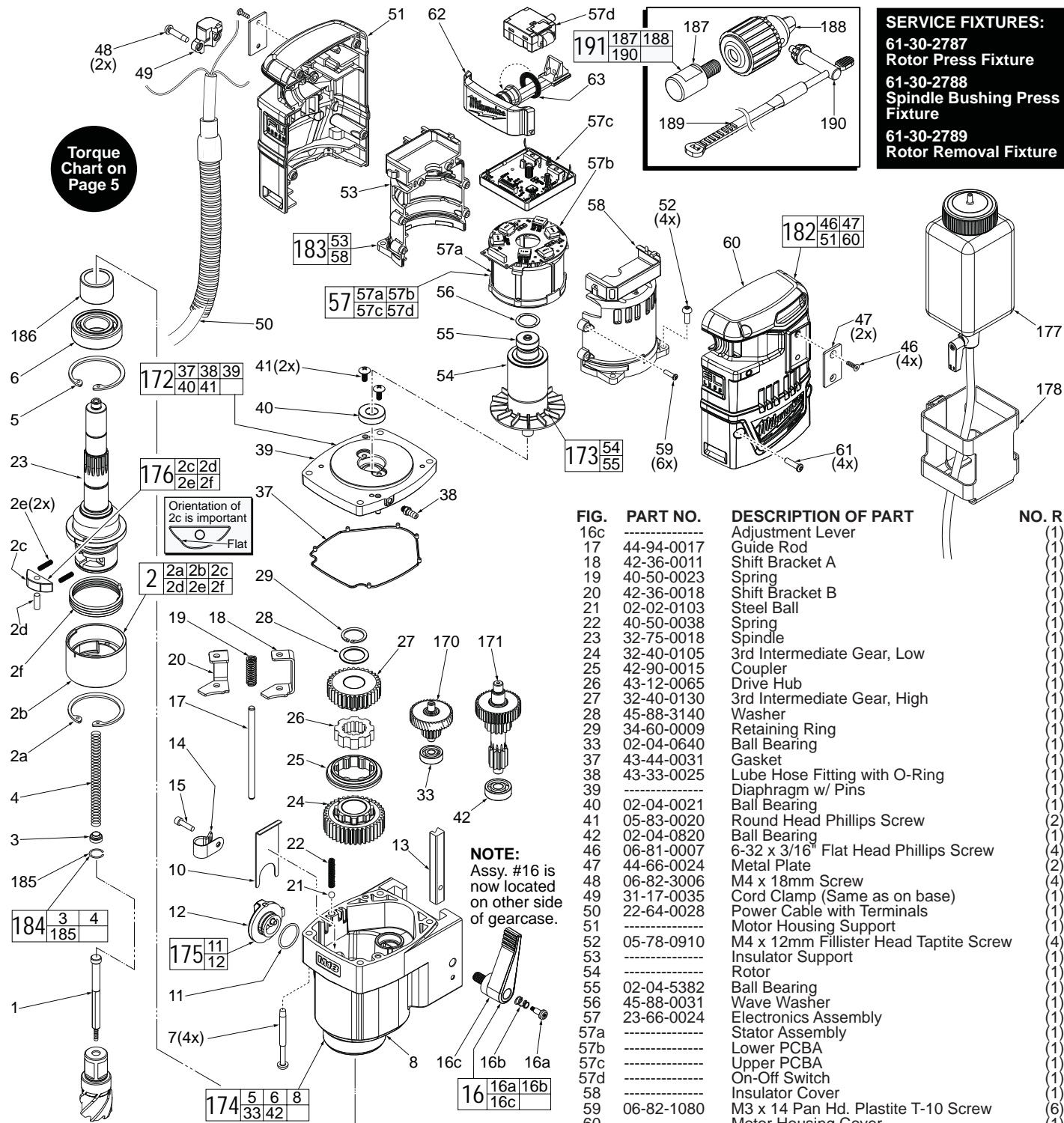


FIG.	PART NO.	DESCRIPTION	NO. REQ.
1	44-60-0007	Ejector Pin Assembly	(1)
2	48-66-0025	Chuck Collar	(1)
2a	34-60-0003	Retaining Ring	(1)
2b	42-76-0017	Spindle Collar	(1)
2c	43-96-0015	Spindle Key	(1)
2d	44-60-0004	Pin	(1)
2e	40-50-0097	Spring	(2)
2f	40-50-0366	Torsion Spring	(1)
3	-----	Spindle Plug	(1)
4	-----	Spring	(1)
5	34-60-0007	Retaining Ring	(1)
6	02-04-0011	Ball Bearing	(1)
7	06-82-0004	M5 x 55mm Pan Hd. T-20 Screw	(4)
8	-----	Gearcase	(1)
10	44-90-0006	Shift Knob Retainer	(1)
11	34-40-1570	O-Ring	(1)
12	-----	Speed Knob	(1)
13	44-20-0021	Dovetail Lock Block	(1)
14	31-17-0030	Cord Clamp	(1)
15	05-81-1410	M4 x 16 Pan Hd. T-20 Screw	(1)
16	44-10-0016	Adjustment Lever Assembly	(1)
16a	-----	Screw	(1)
16b	-----	Spring	(1)

FIG.	PART NO.	DESCRIPTION OF PART	NO. REQ.
16c	-----	Adjustment Lever	(1)
17	44-94-0017	Guide Rod	(1)
18	42-36-0011	Shift Bracket A	(1)
19	40-50-0023	Spring	(1)
20	42-36-0018	Shift Bracket B	(1)
21	02-02-0103	Steel Ball	(1)
22	40-50-0038	Spring	(1)
23	32-75-0018	Spindle	(1)
24	32-40-0105	3rd Intermediate Gear, Low	(1)
25	42-90-0015	Coupler	(1)
26	43-12-0065	Drive Hub	(1)
27	32-40-0130	3rd Intermediate Gear, High	(1)
28	45-88-3140	Washer	(1)
29	34-60-0009	Retaining Ring	(1)
33	02-04-0640	Ball Bearing	(1)
37	43-44-0031	Gasket	(1)
38	43-33-0025	Lube Hose Fitting with O-Ring	(1)
39	-----	Diaphragm w/ Pins	(1)
40	02-04-0021	Ball Bearing	(1)
41	05-83-0020	Round Head Phillips Screw	(2)
42	02-04-0820	Ball Bearing	(1)
46	06-81-0007	6-32 x 3/16" Flat Head Phillips Screw	(4)
47	44-66-0024	Metal Plate	(2)
48	06-82-3006	M4 x 18mm Screw	(4)
49	31-17-0035	Cord Clamp (Same as on base)	(1)
50	22-64-0028	Power Cable with Terminals	(1)
51	-----	Motor Housing Support	(1)
52	05-78-0910	M4 x 12mm Fillister Head Taptite Screw	(4)
53	-----	Insulator Support	(1)
54	-----	Rotor	(1)
55	02-04-5382	Ball Bearing	(1)
56	45-88-0031	Wave Washer	(1)
57	23-66-0024	Electronics Assembly	(1)
57a	-----	Stator Assembly	(1)
57b	-----	Lower PCBA	(1)
57c	-----	Upper PCBA	(1)
57d	-----	On-Off Switch	(1)
58	-----	Insulator Cover	(1)
59	06-82-1080	M3 x 14 Pan Hd. Plastite T-10 Screw	(6)
60	-----	Motor Housing Cover	(1)
61	06-82-0018	M4 Pan Hd. Plastite T-20 Screw	(4)
62	42-42-0021	Switch Button Assembly	(1)
63	40-50-0031	Garther Spring	(1)
170	14-29-0041	Pinion/1st Intermediate Gear Assembly	(1)
171	14-29-0061	Pinion/2nd Intermediate Gear Assembly	(1)
172	14-13-0035	Diaphragm Assembly w/Bearings and Seal	(1)
173	23-40-0085	Rotor Assembly	(1)
174	14-30-0023	Gearcase Assembly	(1)
175	43-98-0071	Speed Knob Assembly	(1)
176	43-96-0091	Spring/Key Kit	(1)
177	49-76-0040	Lubricant Container/Control Assy. (Accessory)	(1)
178	42-36-0022	Container Bracket Assembly	(1)
181	10-20-0578	Warning Label	(1)
182	31-44-2787	Motor Housing Assembly	(1)
183	23-16-2787	Insulator Assembly	(1)
184	14-46-2787	Ejector Spring Kit	(1)
185	44-90-0012	Retainer	(1)
186	42-40-0101	Bushing	(1)
187	-----	Chuck Adapter	(1)
188	48-66-1355	1/2" Keyed Chuck (with Key)	(1)
189	48-66-4040	Key Holder	(1)
190	48-66-3280	Chuck Key	(1)
191	49-59-0020	3/4" Weldon to 1/2" Chuck Adapter w/Key	(1)
-----	-----	Danger Label (Not Shown)	(1)