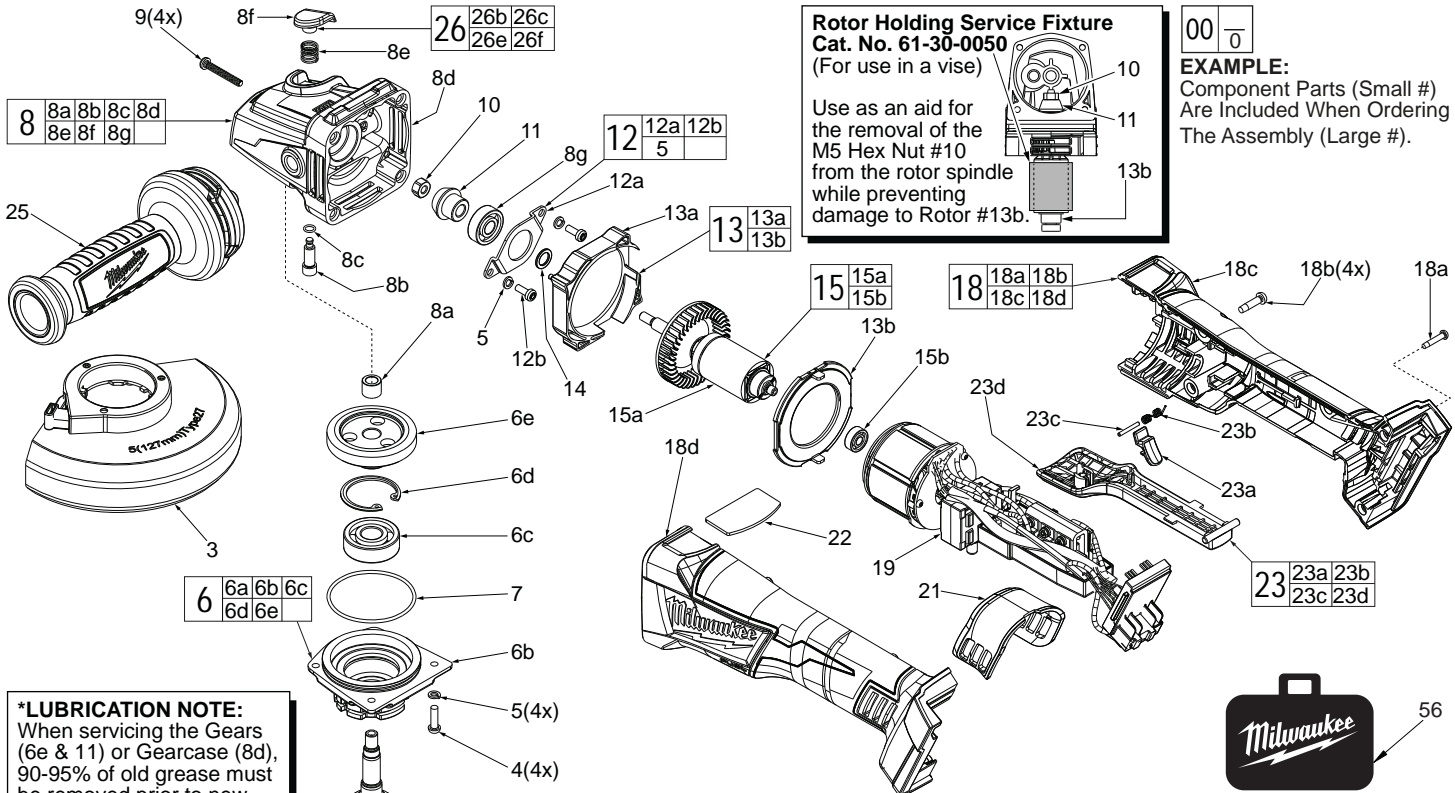




SERVICE PARTS LIST

BULLETIN NO.
54-38-7020

SPECIFY CATALOG NO. AND SERIAL NO. WHEN ORDERING PARTS		REVISED BULLETIN	DATE
M18 FUEL™ Braking Grinder w/ Paddle Switch & Lock-Off			July 2015
CATALOG NO.	2783-20	STARTING SERIAL NO.	G48A
		WIRING INSTRUCTION SEE PAGE 2	



***LUBRICATION NOTE:**
When servicing the Gears (6e & 11) or Gearcase (8d), 90-95% of old grease must be removed prior to new grease being added.

FIG. LUBRICATION*
6e,11 Type "Y" Grease, No. 49-08-5270, Must Be Applied To All Gear Teeth.

8d Place 19g ± 0.5 (approx. 5/8 oz) of "Y" grease in gear cavity of gearcase.

FIG.	PART NO.	DESCRIPTION OF PART	NO. REQ.
1	05-59-0015	5/8"-11 Fixtec Nut	1
2	43-34-0935	Flange Disc	1
3	14-32-0215	5" Type 27 Guard Assy. (Shown, Standard)	1
3	14-32-0210	4.5" Type 27 Guard Assy. (Optional)	1
4	05-88-1210	M4 x 14mm Pan Hd. T-20 Screw	4
5	05-90-0225	Spring Washer	6
6	14-73-0310	5/8"-11 Spindle Hub Assembly	1
6a	-----	5/8"-11 Spindle Shaft	1
6b	-----	Spindle Hub	1
6c	-----	Ball Bearing	1
6d	-----	Retaining Ring	1
6e	-----	Bevel Gear	1
7	34-40-0180	O-Ring	1
8	14-30-0160	Gearcase Assembly	1
8a	-----	Needle Bearing	1
8b	-----	Spindle Lock Pin	1
8c	-----	O-Ring	1
8d	-----	Gearcase	1
8e	-----	Spindle Lock Spring	1
8f	-----	Spindle Lock Button	1
8g	-----	Ball Bearing	1
9	05-88-1300	M4 x 28mm Pan Hd. ST T-20 Screw	4
10	05-55-0620	M5 Hex Nut	1

FIG.	PART NO.	DESCRIPTION OF PART	NO. REQ.
11	32-60-0165	Pinion Gear	1
12	44-86-0195	Bearing Retaining Plate Assembly	1
12a	44-66-0450	Bearing Retainer	1
12b	05-88-1280	M4 x 10mm Pan Hd. T-20 Screw	2
13	42-14-0040	Baffle Assembly	1
13a	-----	Fan Baffle	1
13b	-----	Fan Baffle Foot	1
14	45-88-0406	Washer	1
15	16-07-2690	Rotor Assembly	1
15a	-----	Rotor	1
15b	02-04-0033	Ball Bearing	1
18	31-44-1415	Housing Kit	1
18a	06-82-7236	4-20 x 5/8" Pan Hd. Plastite T-10 Screw	1
18b	05-88-1200	M4 x 16mm Pan Hd. Plastite T-20 Screw	4
18c	-----	Housing Cover - Right Housing Halve	1
18d	-----	Housing Support - Left Housing Halve	1
19	14-20-2783	Electronics Assembly	1
		Consisting of: Stator, Switch, PCBA and Battery Terminal Connector Block	1
21	31-15-0275	Dust Cover	1
22	43-84-0205	Logo Plate	1
23	14-78-0530	Paddle Trigger Assembly	1
23a	-----	Lock-Off Lever	1
23b	-----	Lock-Off Spring	1
23c	-----	Lock-Off Pin	1
23d	-----	Paddle Trigger	1
25	42-62-0125	Side Handle Assembly	1
26	14-46-0097	Spindle Lock Kit	1
27	12-20-2685	Service Nameplate (Not Shown)	1
56	42-55-2683	Blow Molded Carrying Case	1

NOTE:
When replacing bevel gear #6e because of damage, it is important to inspect the mating pinion gear #11 for damage also.
It is recommended that gears be replaced in sets.