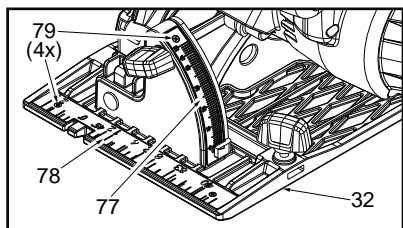




SERVICE PARTS LIST

**BULLETIN NO.
54-40-2660**

SPECIFY CATALOG NO. AND SERIAL NO. WHEN ORDERING PARTS		REVISED BULLETIN	DATE
Cordless M18 FUEL™ 7-1/4" Circular Saw			Apr. 2014
CATALOG NO. 2731-20	STARTING SERIAL NO. F95A	WIRING INSTRUCTION See Page Four	



EXAMPLE:
Component Parts (Small #) Are Included
When Ordering The Assembly (Large #).

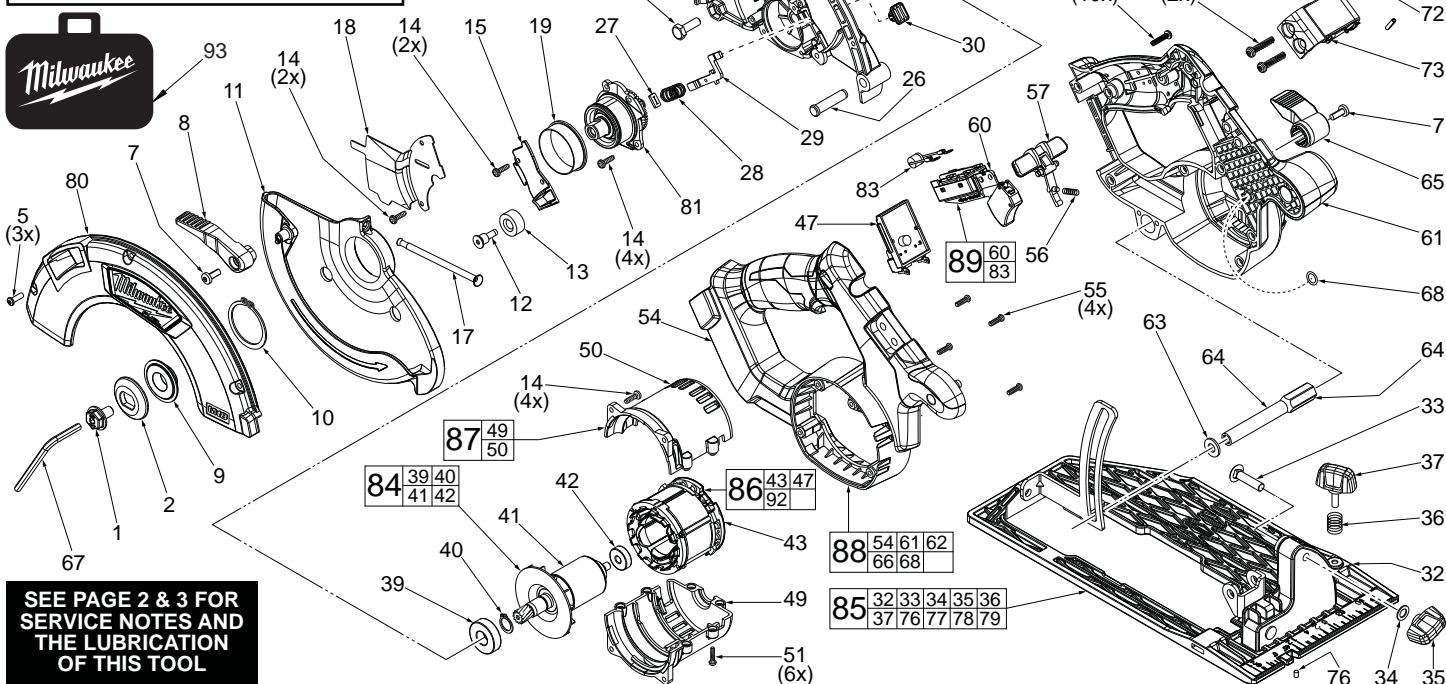


FIG. PART NO.	DESCRIPTION OF PART	NO. REQ.
1	06-75-1012 Blade Screw	1
2	43-34-0795 Outer Flange	1
5	05-78-5316 M4 x 14mm Pan Hd. Taptite T-20 Screw	3
7	06-82-5314 10-24 x 1/2" Pan Hd. Taptite T-25 Screw	2
8	44-10-1008 Lower Guard Lever	1
9	43-34-0790 Inner Flange	1
10	34-60-0860 Retaining Ring	1
11	28-41-0101 Lower Guard	1
12	45-04-0485 10-32 x 13/16" Bumper Screw	1
13	42-38-0222 Rubber Bumper	1
14	06-82-5285 6-32 x 1/2" Pan Hd. Taptite T-15 Screw	12
15	31-15-0265 Spindle/LED Cover	1
16	22-06-2732 LED Assembly (Not Shown, see page 4)	1
17	40-50-0045 Lower Guard Spring	1
18	44-66-0398 Retaining Plate	1
19	45-14-0015 Plastic Sleeve	1
25	06-75-5860 1/4-20 x 3/4" Hex Hd. Screw	1
26	44-60-0741 Pivot Pin	1
27	45-06-0720 Felt Seal	1
28	40-50-8046 Spindle Lock Spring	1
29	44-20-0653 Spindle Lock Plate	1
30	42-42-1030 Spindle Lock Button	1
32	Shoe	1
33	06-10-0110 M6 x 28mm Carriage Bolt	1
34	45-88-1560 Washer	1
35	43-98-0705 Bevel Adjustment Knob	1
36	40-50-0650 Rip Fence Spring	1
37	43-98-0605 Rip Fence Knob	1
38	34-40-0360 O-Ring	1
39	02-04-0795 Ball Bearing	1
40	34-60-0610 Retaining Ring	1
41	Rotor	1
42	02-04-5382 Ball Bearing	1
43	Stator with PCBA	1
47	Battery Connector Block	1
49	23-16-0090 Motor Insulator - Top	1
50	23-16-0095 Motor Insulator - Bottom	1
51	06-82-1080 M3.0 x 14mm Pan Hd. T-10 ST Screw	6
52	23-94-2731 High Voltage Wire with Terminal (See page 4)	1
53	10-20-0359 Warning Label (Not Shown)	1

FIG. PART NO.	DESCRIPTION OF PART	NO. REQ.
54	31-44-0983 Housing Support - Right Housing Halve	1
55	05-88-5380 M3.5 x 12mm T-10 Screw	4
56	40-50-1760 Switch Lock-Out Spring	1
57	42-42-0345 Switch Lock-Out Button	1
60	23-66-2635 Switch with Screws	1
61	31-44-0986 Housing Cover - Left Housing Halve	1
62	06-82-7470 6-19 x 11/16" Pan Hd. Plastite T-15 Screw	10
63	45-88-1515 Washer	1
64	45-08-0395 Depth Shaft	1
65	44-10-0018 Depth Lever	1
66	12-20-0041 Service Nameplate (Not Shown)	1
67	49-96-0600 Hex Key	1
68	34-40-4480 O-Ring	1
69	43-74-0065 Saw Hook Bar	1
70	44-60-0585 Saw Hook Pin	2
71	45-22-1005 Detent Sleeve	1
72	40-50-0985 Saw Hook Spring	1
73	43-76-0035 Saw Hook Housing	1
74	06-82-0052 M6 x 2.69 x 32mm T-25 PT Screw	2
75	22-56-0150 Wire Connector (Not Shown, see page 4)	1
76	06-83-1600 Set Screw	1
77	31-51-0137 Bevel Scale	1
78	31-51-0132 Front Scale	1
79	06-81-0015 M2.5 x 3.175 Phillips Screw	4
80	28-20-0027 Upper Guard Cover Assembly w/Logo Plate	1
81	38-50-0160 Output Shaft Assembly	1
82	28-14-0172 Upper Guard Gearcase Assy. w/ Needle Bearing	1
83	23-38-2840 Diode Assembly with Terminals	1
84	23-40-7115 Rotor Assembly	1
85	14-74-0505 Shoe Assembly	1
86	23-58-7115 Stator / Electronics Assembly	1
87	23-16-0005 Motor Insulator Assembly	1
88	14-38-0020 Housing Assembly	1
89	23-66-2639 Switch/Diode Assembly with Switch Screws	1
91	49-22-2731 Rip Fence (Not Shown)	1
92	Mico Switch (Not Shown)	1
93	48-55-3500 Contractors Bag	1

MILWAUKEE TOOL • www.milwaukeetool.com
13135 W. Lisbon Rd., Brookfield, WI 53005
Drwg. 1