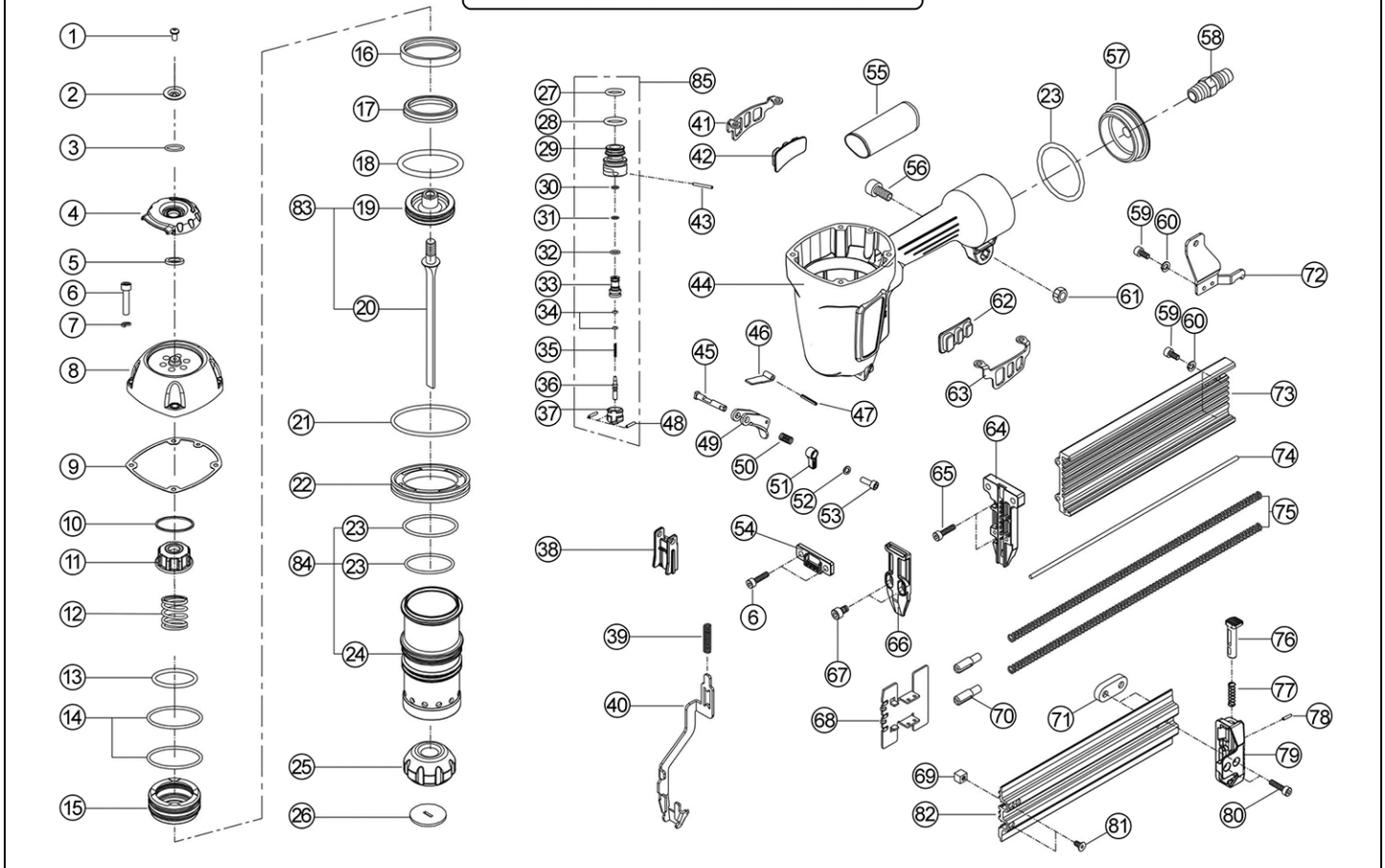


Air Locker

Model # CN64A3



No.	Description	Qty.	No.	Description	Qty.	No.	Description	Qty.
1	Screw	1	31	O-Ring	1	61	Nylon Nut	4
2	Washer	1	32	O-Ring	1	62	Prevent Fall Frame (A)	1
3	O-Ring	1	33	Trigger Valve Guide	1	63	Prevent Fall Frame (A)	1
4	Exhaust Cover	1	34	O-Ring	2	64	Driver Guide	1
5	Washer	1	35	Spring	1	65	Screw	2
6	Screw	1	36	Trigger Valve Stem	1	66	Driver Guide Cover	1
7	Washer	6	37	Seal Air	1	67	Screw	2
8	Cylinder Cap	4	38	Catch Guide Plate	1	68	Pusher	1
9	Gasket	1	39	Spring	1	69	Stopper	2
10	Washer	1	40	Release Catch	1	70	Spring Holder	2
11	Piston Stopper	1	41	Prevent Fall Frame (B)	1	71	Magazine Support Stopper	1
12	Compression Spring	1	42	Prevent Fall Frame (B)	1	72	Magazine Support	1
13	O-Ring	1	43	Spring Pin	1	73	Lower Mag	1
14	O-Ring	2	44	Body	1	74	Steel Bar	1
15	Head Valve Piston	1	45	Pin	1	75	Spring	2
16	Washer	1	46	Releasing Blade	1	76	Click Lever	1
17	Seal Air	1	47	Spring Pin	1	77	Spring	1
18	O-Ring	1	48	Pin	2	78	Spring Pin	1
19	Piston Head	1	49	Trigger	1	79	Tail Cover	1
20	Driver Blade	1	50	Spring	1	80	Screw	2
21	O-Ring	1	51	Trigger Rotating Wrench	1	81	Screw	1
22	Spacer	1	52	Washer	1	82	Upper Mag	1
23	O-Ring	3	53	Screw	1	83	Piston Set	1
24	Cylinder	1	54	Spacer	1	84	Cylinder Set	1
25	Bumper	1	55	Grip	1	85	Trigger Valve Set	1
26	Nozzle	1	56	Screw	1			
27	O-Ring	1	57	Tail Cover	1			
28	O-Ring	1	58	Air Plug	1			
29	Trigger Valve Head	1	59	Screw	1			
30	O-Ring	1	60	Washer	4			