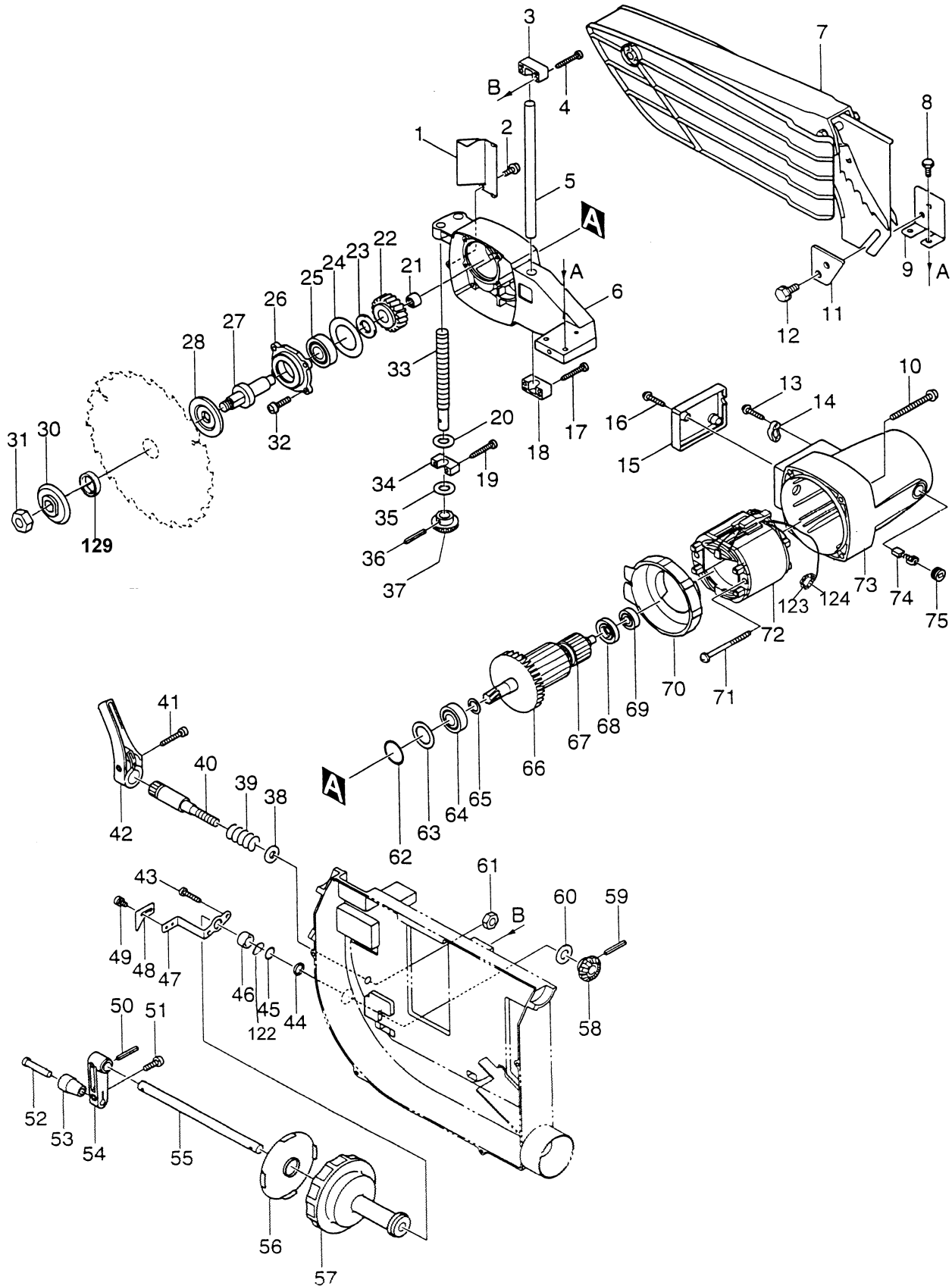
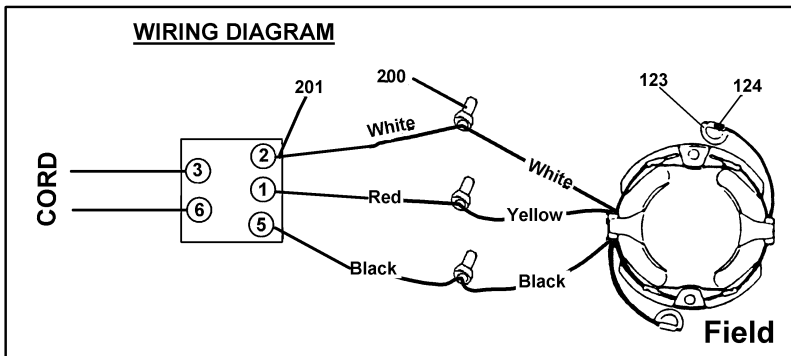
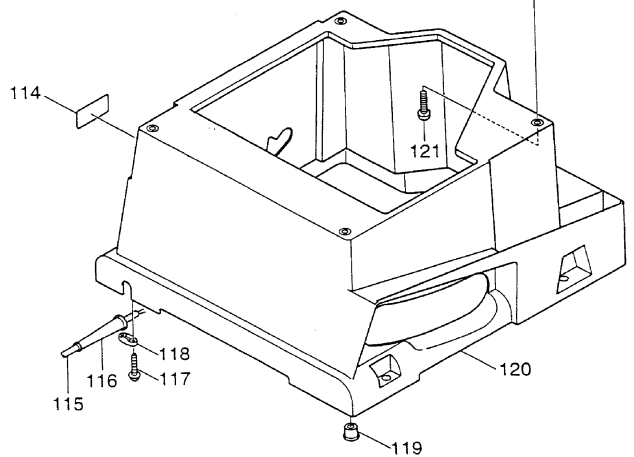
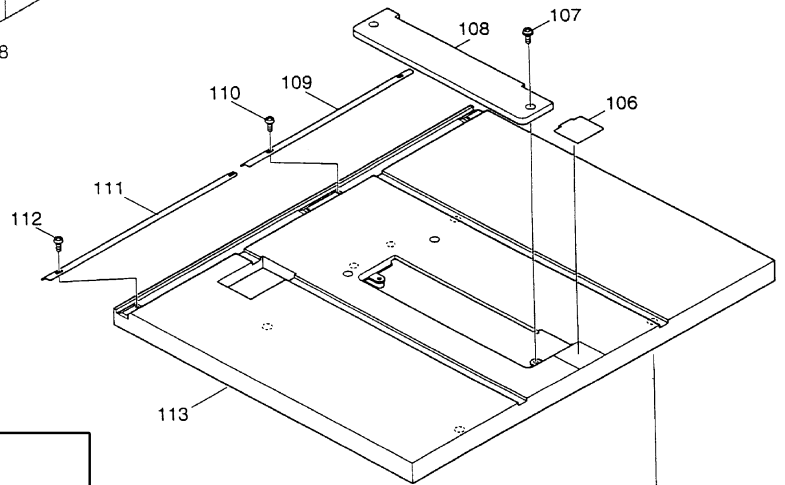
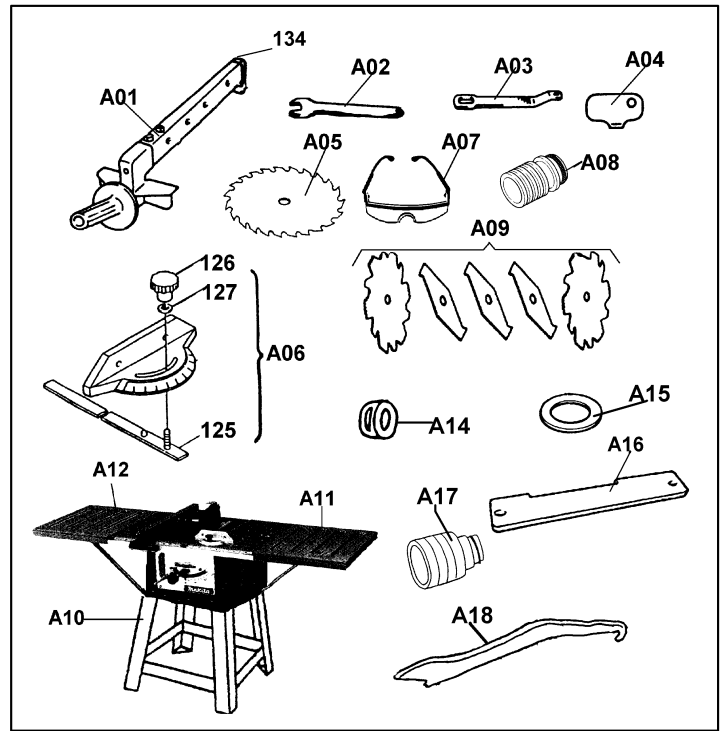
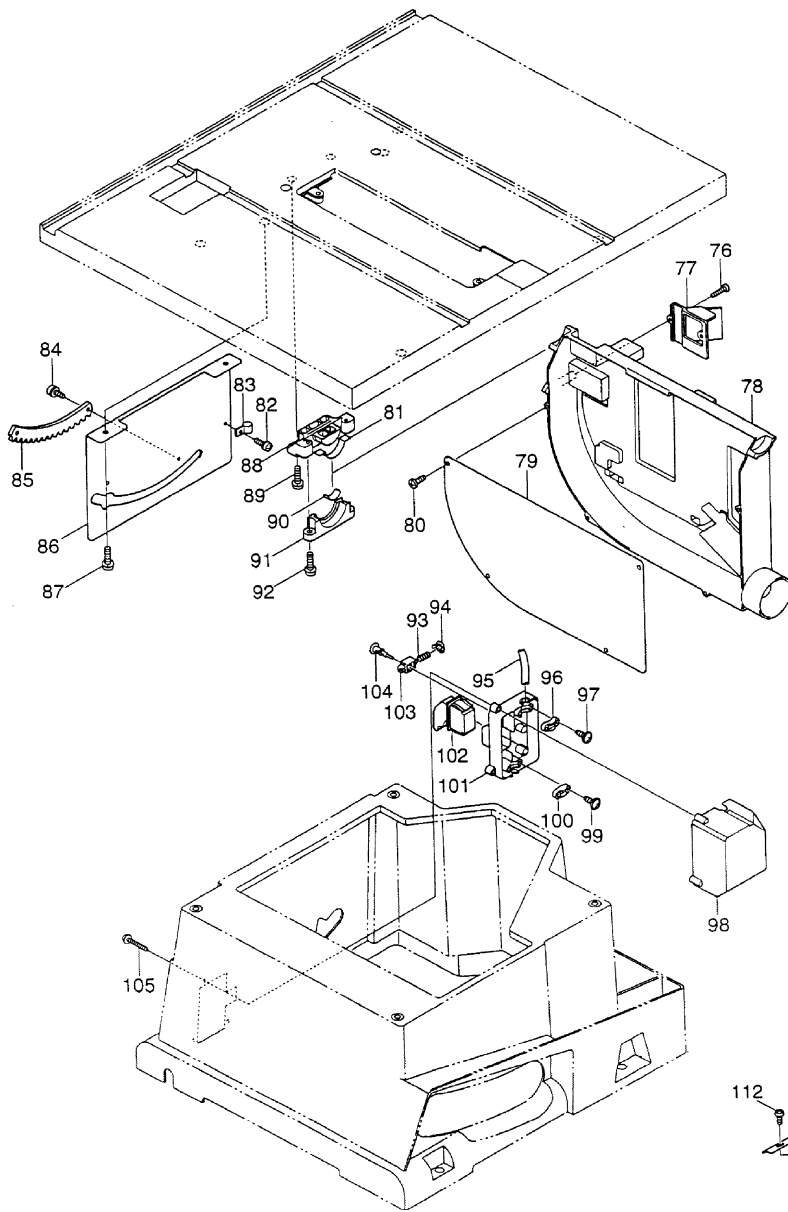


**8-1/4" TABLE SAW
 10" TABLE SAW**

**Model 2702(MCA)
 Model 2703(MCA)**





Item No.	Part No.	No. Used	Description	Item No.	Part No.	No. Used	Description
1	344536-2	1	Gear Housing Plate	52	268031-7	1	Pin 8
2	911208-0	1	P.H. Screw M5x10	53	271408-7	1	Knob 20
3	416340-0	2	Guide Bar Retainer	54	271071-6	1	Handle 120
4	266040-0	4	Tapping Screw CT 4x25	55	323735-9	1	Handle Shaft
5	323736-7	2	Guide Bar	56	344581-7	1	Cap 92
6	159999-7	1	Gear Housing Com. (Includes 263005-3 - Rubber Pin 6 & 951157-9 - Spring Pin 5-16 & Item 21)	57	271070-8	1	Handle 100
7	168313-6	1	Safety Guide (2702)(Includes Torsion Spring 17- 231541-7, Torsion Spring 17 - 231542-5, Hex Bolt M6X50 -265462-1, Hex Nut - 931302-2 & Flat Washer 6 - 941151-9 X 2)	58	226747-0	1	Straight Bevel Gear
	168309-7	1	Safety Guide (2703)(Includes Torsion Spring 17- 231541-7, Torsion Spring 17 - 231542-5, Hex Bolt M6X50 -265462-1, Hex Nut - 931302-2 & Flat Washer 6 - 941151-9 X 2)	59	951116-3	1	Spring Pin 4-20
8	265391-8	2	(+) Hex Bolt M6x16	60	941302-4	1	Flat Washer 12
9	165206-8	1	Stay	61	931502-4	1	Hex Nut M10
10	911383-2	4	P.H. Screw M6x60	62	213423-5	1	O Ring 30
11	344545-1	1	Pressure Plate	63	253792-2	1	Flat Washer 26
12	921431-9	2	Hex Bolt M8x20	64	211206-7	1	Ball Bearing 6202LLB
13	265995-6	2	Tapping Screw 4x18	65	253147-1	1	Flat Washer 15
14	687054-0	1	Strain Relief	66	240003-4	1	Fan 80
15	416341-8	1	Cover	67	516761-7	1	Armature Assy (Includes 64-66, 68 & 69)
16	265995-6	2	Tapping Screw 4X18	68	681640-9	1	Insulation Washer
17	266040-0	4	Tapping Screw CT 4x25	69	211061-7	1	Ball Bearing 6000LLB
18	416340-0	2	Guide Bar Retainer	70	416331-1	1	Baffle Plate
19	266040-0	2	Tapping Screw CT 4x25	71	266029-8	2	Tapping Screw Flange PT5x65
20	961016-9	1	Stop Ring E-10	72	596181-1	1	Field Assy (Includes Items 123 & 124)
21	212121-8	1	Needle Bearing 1210	73	159998-9	1	Motor Housing Com. (Includes 2 X 643660-1 - Brush Holder 6.5-13.5)
22	226499-3	1	Helical Gear 42	74	181047-4	2	Carbon Brush CB-154 (2pcs/Set)
23	267176-8	1	Flat Washer 17	75	643650-4	2	Brush Holder Cap 6.5-13.5
24	267170-0	1	Flat Washer 34	76	266034-5	2	Tapping Screw CT 4x16
25	211256-2	1	Ball Bearing 6203LLB	77	416439-1	1	Dust Guide
26	316933-2	1	Bearing Box	78	317382-6	1	Frame* (Old 316931-6)
27	153264-6	1	Spindle Com. (Includes 323738-3 - Spindle & Items 22-25)	79	344519-2	1	Frame Cover
28	224333-1	1	Flange 53	80	266035-3	4	Tapping Screw Bind CT 5x12
30	224347-0	1	Outer Flange 53	81	344529-9	2	Slide Seat
31	252155-9	1	Hex Nut M12-19	82	251308-7	1	(+) P.H. Screw M4x10
32	911233-1	4	P.H. Screw M5x20	83	687049-3	1	Strain Relief
33	322968-3	1	Screw Bar	84	911208-0	2	P.H. Screw M5x10
34	416339-5	1	Screw Bar Retainer	85	416333-7	1	Rack Plate
35	941302-4	1	Flat Washer 12	86	344518-4	1	Plate
36	951116-3	1	Spring Pin 4-20	87	911323-0	2	P.H. Screw M6x16
37	226747-0	1	Straight Bevel Gear	88	317010-3	1	Adjust Block
38	253024-7	1	Flat Washer 10	89	265460-5	2	Hex Bolt M6x20
39	231315-6	1	Compression Spring 14	90	232174-1	2	Leaf Spring
40	322967-5	1	Lock Lever Shaft	91	416332-9	2	Frame Retainer
41	922243-3	1	Hex Socket Head Bolt M5x25	92	911333-7	4	P.H. Screw M6x20
42	272237-1	1	Lever 90	93	231240-1	1	Compression Spring 7
43	266034-5	2	Tapping Screw CT 4x16	94	416375-1	1	Cap
44	253143-9	1	Flat Washer 12	95	664080-6	1	Cord #14-3-0.86
45	213107-5	1	O Ring 12	96	687054-0	1	Strain Relief
46	214114-1	1	Plane Bearing 12	97	265995-6	2	Tapping Screw 4x18
47	344544-3	1	Stay	98	416335-3	1	Switch Box
48	344543-5	1	Pointer	99	265995-6	2	Tapping Screw 4x18
49	922103-9	1	Hex Socket Head Bolt M4x6	100	687052-4	1	Strain Relief
50	951116-3	1	Spring Pin 4-20	101	416334-5	1	Switch Base
51	911218-7	1	P.H. Screw M5x14	102	651567-7	1	Switch
				103	416377-7	1	Slide Pin
				104	416376-9	1	Switch Button
				105	265999-8	3	Tapping Screw, Flange 4x25
				106	344547-7	1	Plate
				107	911323-0	2	P.H. Screw M6x16
				108	316934-0	1	Center Cover (2702)
					316935-8	1	Center Cover (2703)
				109	816332-3	1	Scale Plate L
				110	251308-7	2	(+) P.H. Screw M4x10
				111	816331-5	1	Scale Plate R
				112	251308-7	2	(+) P.H. Screw M4x10

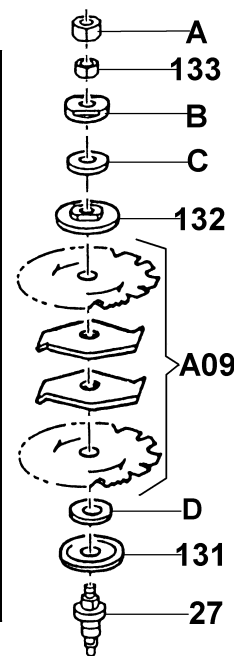
Item No.	Part No.	No. Used	Description	Item No.	Part No.	No. Used	Description
113	*	1	Table	201	654180-0	5	Receptacle
115	664463-0	1	Cord W/Plug 2P-14-2.5M	Accessories			
116	682504-0	1	Cord Guard 10-85	A01	122556-4	1	Ruler Assy (Rip Fence)(Includes Items 134 - 148)
117	265995-6	2	Tapping Screw 4x18	A02	781027-6	1	Wrench 19
118	687052-4	1	Strain Relief	A03	782021-1	1	Wrench 13-22
119	286202-4	4	Cap 20	A04	783009-4	1	Holder Cap Opener
120	150824-5	1	Base Com. (Includes 810917-7 - Caution Label & 816776-7 - Bevel Scale Label)	A05	-----	1	8-1/4" C.T. Saw Blade (See Catalogue for Details)
121	911344-2	4	P.H. Screw M6x25		-----	1	10" C.T. Saw Blade (See Catalogue for Details)
122	253052-2	1	Flat Washer 12	A06	122555-6	1	Angle Rule Assy (Mitre Gauge) (Includes Items 125 - 127)
123	654020-2	2	Garter Spring	A07	191686-A	1	Makita Safety Glasses
124	654502-4	2	Connector Par Splice (Old 654553-7)	A08	STEX122275	1	Joint (For 406)
125	163024-8	1	Guide Plate	A09	191543-4	1	Dado Head Set (2702)
126	271401-1	1	Knob 32		191794-9	1	Dado Head Set (2703)
127	253047-5	1	Flat Washer 6	A10	192680-7	1	Table Saw Stand (Old 122558-0)
129	257060-5	1	Ring 15.8	A11	192797-6	1	Sub Table (R)
130	192693-8	1	Dado Flange Set (Includes Items A, B, C & D shown in diagram below)	A12	192798-4	1	Sub Table (L)
131	224333-1	1	Inner flange 53	A13	122731-A	1	Porta Table (Picture Not Available)
132	224347-0	1	Outer Flange 53	A14	224263-6	1	Dado Outer Flange (2702) (For Dadoing 5/16", 3/8", 7/16" or 1/2")
133	252155-9	1	Hex Nut M12-19	A15	257137-6	1-3	Ring 15 (2703) (For Dadoing) (For Cutting groove 1/4", 5/16", 3/8", 7/16", Or 1/2")
134	344530-4	1	Hook Plate	A16	317061-6	1	Dado Table Insert (Use with currtng grooves 5/16", 3/8", 7/16" or 1/2")
135	266175-7	1	C.H. Square Neck Bolt M5x590	A17	192800-3	1	Joint 55 Set (For 410)
136	416342-6	1	Ruler Top	A18	416772-1	1	Push Stick
137	165205-0	1	Ruler				
138	265391-8	2	Hex Bolt M6X16				
139	316936-6	1	Rule Holder				
140	251308-7	1	P.H. Screw M4X10				
141	232175-9	1	Leaf Spring				
142	344531-2	1	Pressure Plate				
143	256258-1	1	Pin 6				
144	256259-9	1	Pin 8				
145	323739-1	1	Adjust Nut				
146	344580-9	1	Cam				
147	152490-4	1	Grip 36				
148	233228-7	1	Compression Spring 10				
200	654558-7	6	Insulated Connector				

* SEE SERVICE CHANGES

SERVICE NOTE

Instructions for installing the Dado Head Set please refer to the Instruction Manual for this Tool.

Item No.	Part No.	Description
A	931603-8	Dado Hex Nut M12
133	252155-9	Hex Nut M12-19
B	224356-9	Dado Outer Flange 30
C	267183-1	Flat Washer 16
132	224347-0	Outer Flange 53
A09	191543-4 (2702) 191794-9 (2703)	Dado Head Set
D	253723-1	Washer 16
131	224333-1	Inner Flange 53
27	153264-6	Spindle Com.

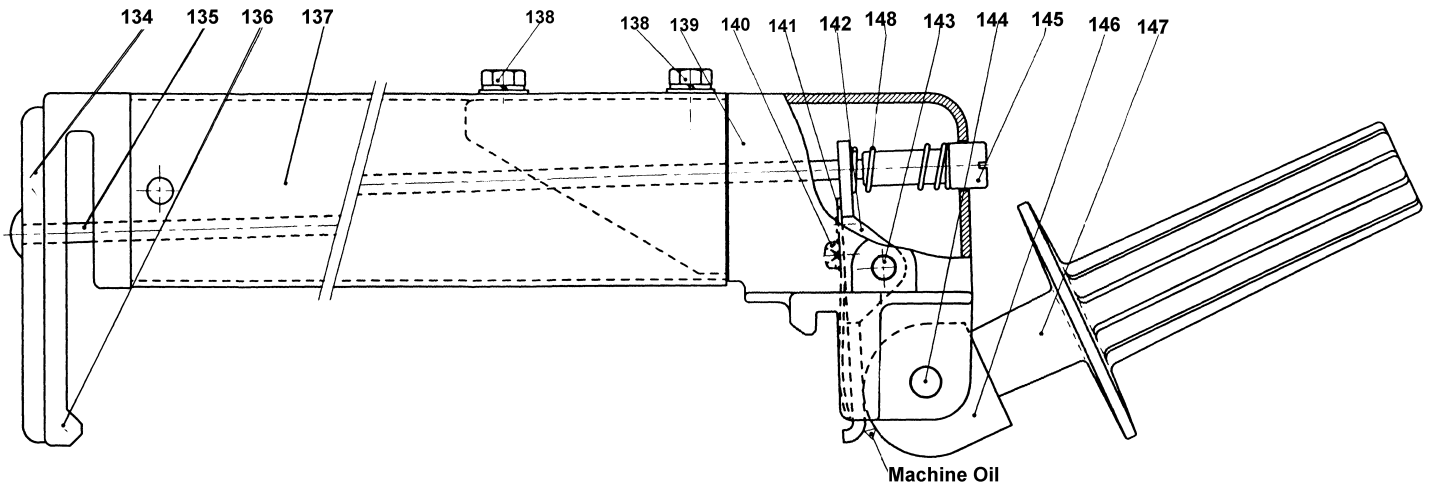


To receive Items A, B, C & D order Item 130 on the Breakdown.

- 4 Model 2702
- 4 Model 2703

SERVICE CHANGES

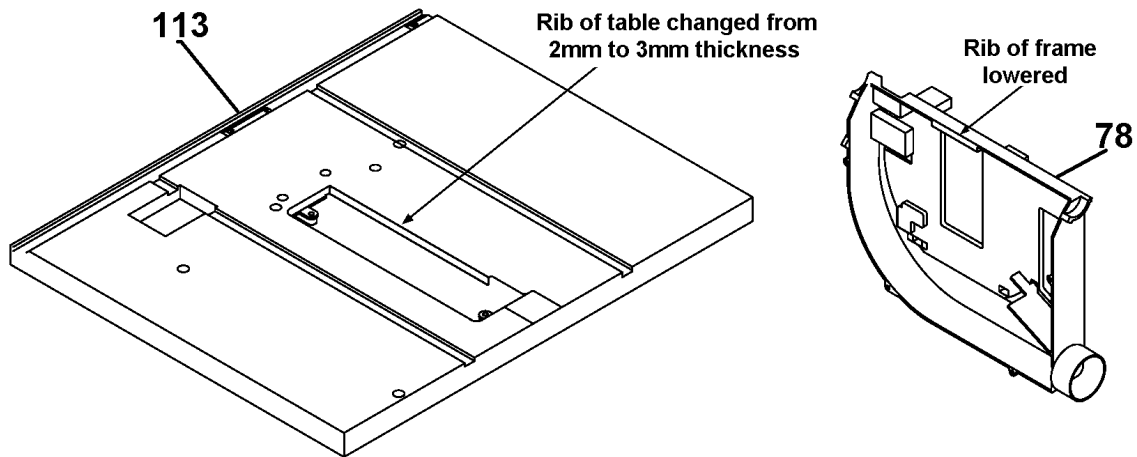
1. Addition of Breakdown of the Ruller Assy Item # A01 - P/N 122556-4



Item No.	Description	Type 1
134	Hook Plate	344530-4
135	C.H. Square Neck Bolt M5x590	266175-7
136	Ruller Top	416342-6
137	Ruler	165205-0
138	Hex Bolt M6X16	265391-8
139	Rule Holder	316936-6
140	P.H. Screw M4X10	251308-7
141	Leaf spring	232175-9
142	Pressure Plate	344531-2
143	Pin 6	256258-1
144	Pin 8	256259-9
145	Adjust Nut	323739-1
146	Cam	344580-9
147	Grip 26	152490-4
148	Compression Spring 10	233228-7

2. Change on Table and Frame.

Type 2 Table and Frame changes



Item No.	Description	Type 1	Type 2
78	Frame	316931-6	317382-6
Serial # for Frame	2702	~ 18833A	18834A ~
	2703	~ 40516A	40517A ~
113	Table	316930-8	317383-4
Serial # for Table	2702	~ 19071A	19072A ~
	2703	~ 41212A	41213A ~

Type 2 Table cannot be used with Type 1 Frame. Always use Type 1 Table for Type 1 Frame.
Type 2 Frame can be installed on Type 1 or Type 2 Table.