



# SERVICE PARTS LIST

**BULLETIN NO.**  
**54-40-7060**

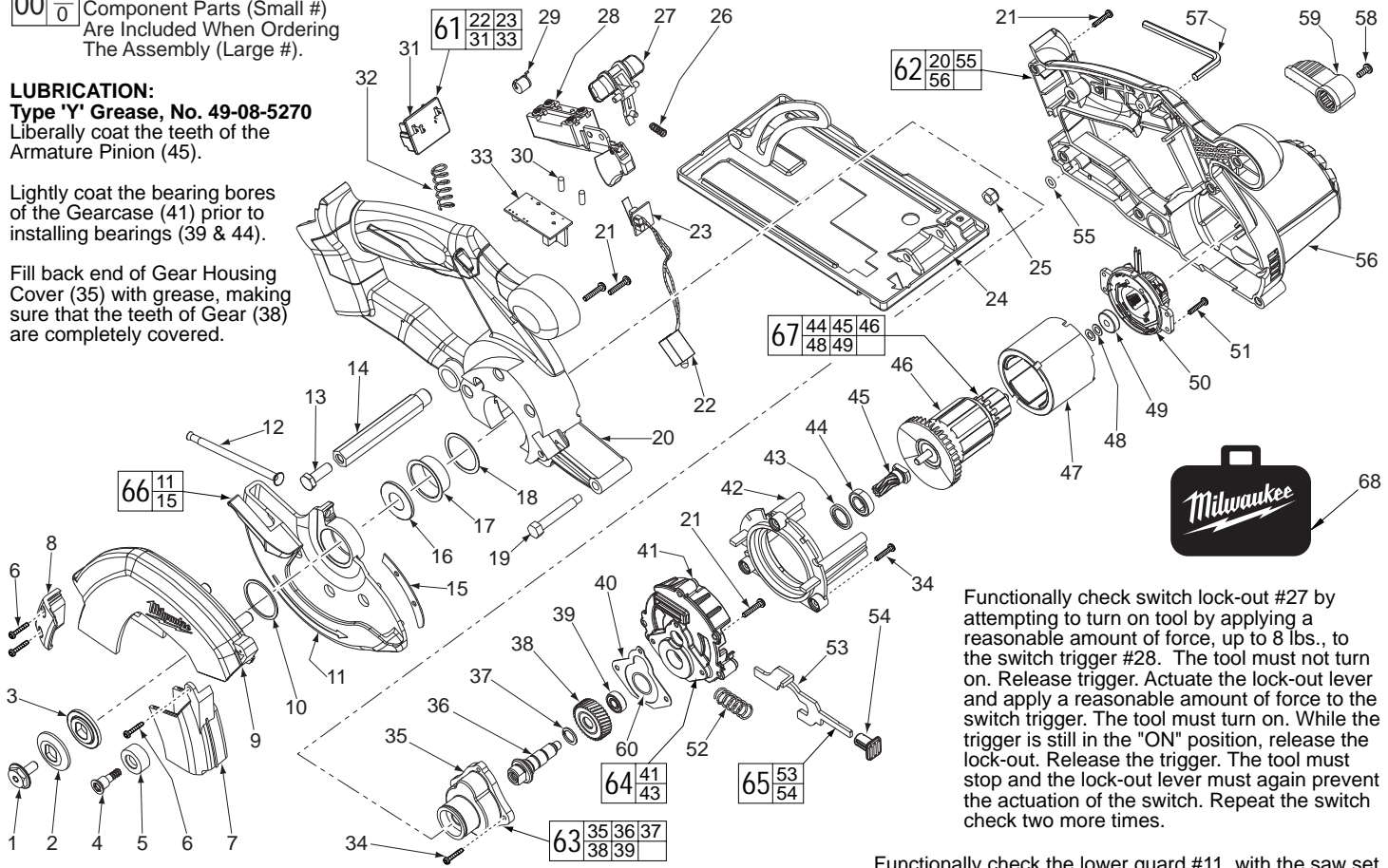
<b>SPECIFY CATALOG NO. AND SERIAL NO. WHEN ORDERING PARTS</b>		REVISED BULLETIN	DATE
<b>CORDLESS 5-3/8" METAL CUTTING SAW</b>			Sept. 2013
<b>CATALOG NO.</b>	<b>2682-20</b>	<b>STARTING SERIAL NO.</b>	<b>C74A</b>
		<b>WIRING INSTRUCTION</b> <b>SEE REVERSE SIDE</b>	

**EXAMPLE:**  
Component Parts (Small #)  
Are Included When Ordering  
The Assembly (Large #).

**LUBRICATION:**  
**Type 'Y' Grease, No. 49-08-5270**  
Liberaly coat the teeth of the  
Armature Pinion (45).

Lightly coat the bearing bores  
of the Gearcase (41) prior to  
installing bearings (39 & 44).

Fill back end of Gear Housing  
Cover (35) with grease, making  
sure that the teeth of Gear (38)  
are completely covered.



Functionally check switch lock-out #27 by attempting to turn on tool by applying a reasonable amount of force, up to 8 lbs., to the switch trigger #28. The tool must not turn on. Release trigger. Actuate the lock-out lever and apply a reasonable amount of force to the switch trigger. The tool must turn on. While the trigger is still in the "ON" position, release the lock-out. Release the trigger. The tool must stop and the lock-out lever must again prevent the actuation of the switch. Repeat the switch check two more times.

Functionally check the lower guard #11, with the saw set at full depth. Place the saw upside down with the shoe horizontal. Fully retract the guard and then release it. The guard must return briskly.

FIG.	PART NO.	DESCRIPTION OF PART	NO REQ.
1	45-04-1020	Hex Flange Blade Screw	(1)
2	43-34-0685	Outer Blade Flange	(1)
3	43-34-0680	Inner Blade Flange	(1)
4	45-04-1060	Bumper Screw	(1)
5	42-38-0222	Rubber Bumper	(1)
6	05-81-1420	M3 x 10 Pan Hd. T-10 Screw	(3)
7	44-06-0200	Transparent Window	(1)
8	42-92-1290	Guard Cover	(1)
9	43-54-0950	Upper Guard	(1)
10	34-60-0630	Retaining Ring	(1)
11	-----	Lower Guard	(1)
12	40-50-1710	Spring	(1)
13	06-75-5860	1/4" x 20 UNC Screw	(1)
14	42-18-0400	Hexagon Bar	(1)
15	-----	Lower Guard Plate	(1)
16	45-88-3095	Dust Seal	(1)
17	45-22-0515	Sleeve	(1)
18	45-88-3220	Washer	(1)
19	42-32-0425	Shoulder Bolt	(1)
20	-----	Housing Support	(1)
21	06-82-2025	M3.5 x 15 Pan Hd. Plastite Screw	(12)
22	-----	LED Assembly	(1)
23	-----	Micro Switch with PCB	(1)
24	14-74-0450	Shoe Assembly	(1)
25	06-57-1100	Lock Nut	(1)
26	40-50-1760	Lock Out Spring	(1)
27	44-20-0720	Switch Lock Out	(1)
28	23-66-1000	Switch	(1)
29	22-74-0515	Diode	(1)
30	45-30-0255	Rubber Pin	(2)
31	-----	Battery Terminal Block	(1)
32	40-50-1090	Terminal Block Spring	(1)
33	-----	PCB Assembly	(1)
34	05-81-1170	M3.0 x 12 Screw	(6)
35	-----	Gear Housing Cover	(1)
36	-----	Spindle	(1)
37	-----	Retaining Ring	(1)
38	-----	Spindle Gear	(1)
39	-----	Ball Bearing	(1)

FIG.	PART NO.	DESCRIPTION OF PART	NO REQ.
40	43-44-1350	Gasket	(1)
41	-----	Gearcase	(1)
42	42-14-0500	Baffle	(1)
43	45-06-1050	Rubber Seal	(1)
44	02-04-1920	Ball Bearing	(1)
45	-----	Armature Pinion	(1)
46	-----	Armature	(1)
47	18-10-0300	Service Field	(1)
48	45-88-3225	Washer	(2)
49	02-04-1930	Ball Bearing	(1)
50	22-22-0760	Brush Card Assembly	(1)
51	06-82-6350	M3 x 16 Screw	(4)
52	40-50-1740	Spring	(1)
53	-----	Spindle Lock	(1)
54	-----	Lock Button	(1)
55	34-40-4480	O-Ring	(1)
56	-----	Housing Cover	(1)
57	49-96-0080	3/16" Hex Key	(1)
58	06-82-5314	10-24 x 1/2" Pan Hd. Tapt. T-25 Screw	(1)
59	44-10-0625	Depth Lever	(1)
60	34-40-2425	O-Ring	(1)
61	23-66-3110	Micro-Switch/PCBA/Term. Block Assy.	(1)
62	31-44-2295	Housing Assembly	(1)
63	43-78-0590	Hub Assembly	(1)
64	28-14-1110	Gearcase Assembly	(1)
65	44-20-0700	Spindle Lock Assembly	(1)
66	28-41-1180	Lower Guard Assembly	(1)
67	16-01-1170	Service Armature Assembly	(1)
68	48-55-3500	Contractor Bag	(1)
	12-20-2682	Service Nameplate (Not Shown)	(1)