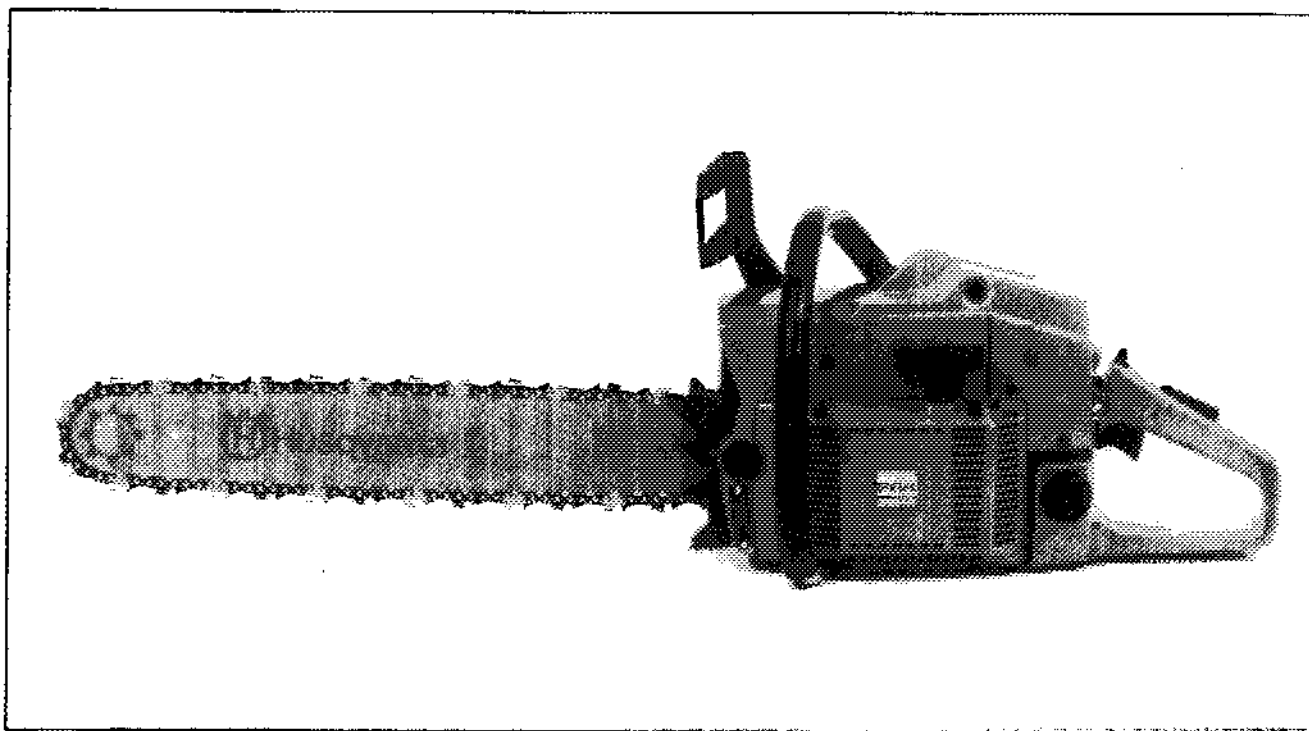


268



1.1990

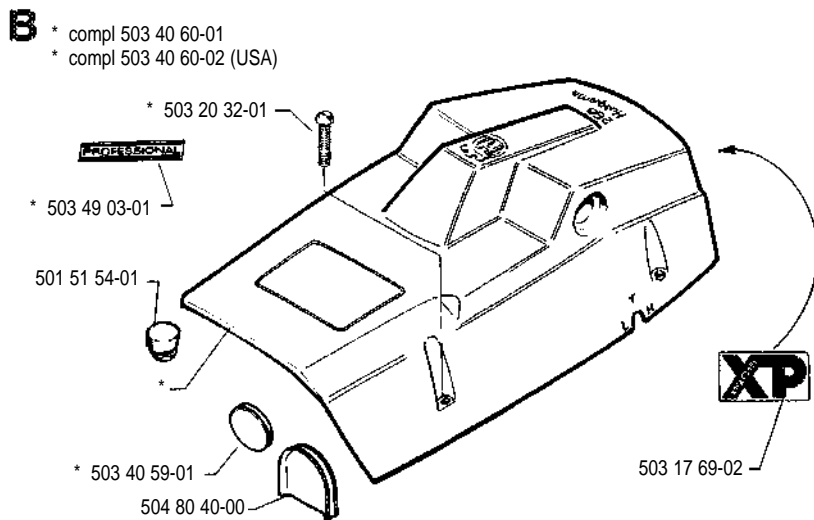
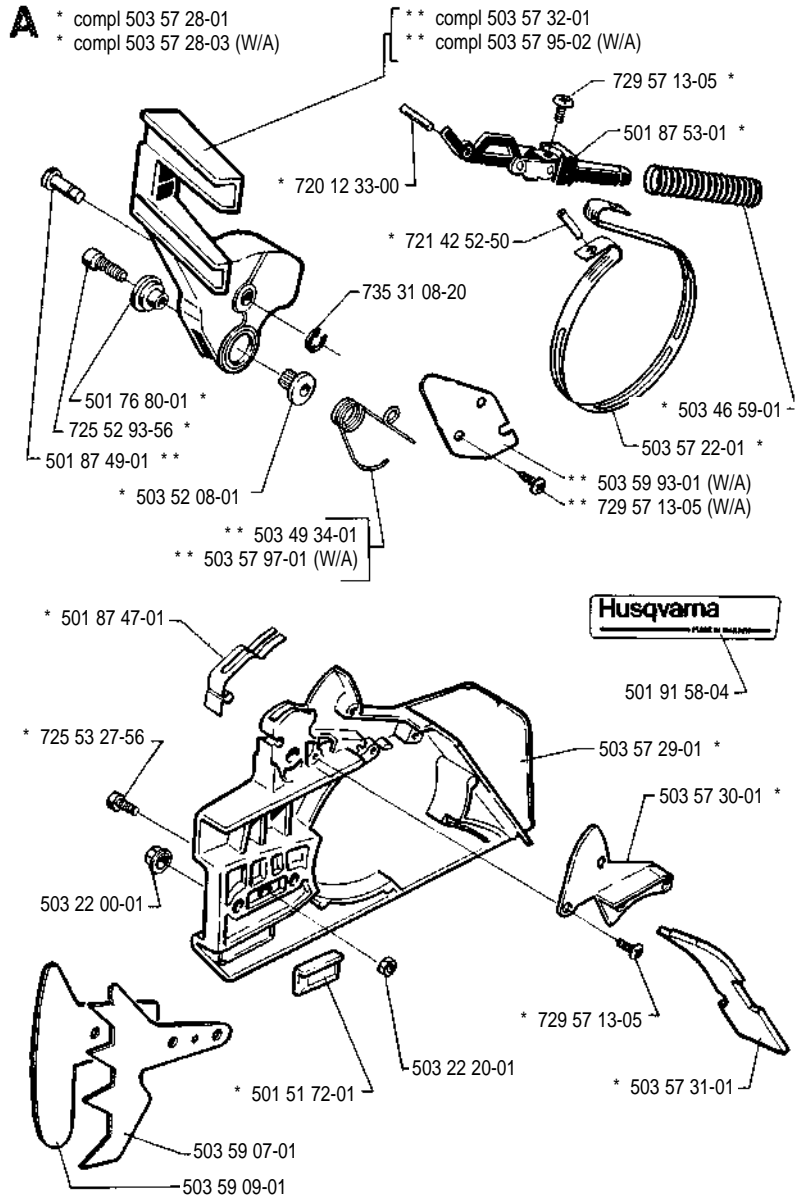
Spare parts

Ersatzteile

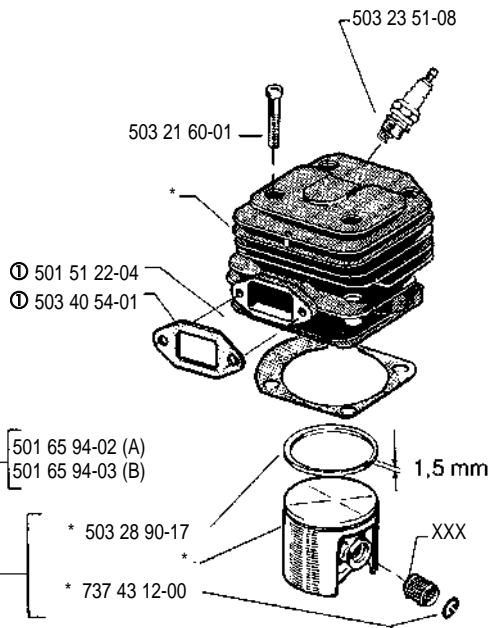
Pièces détachées

Repuestos

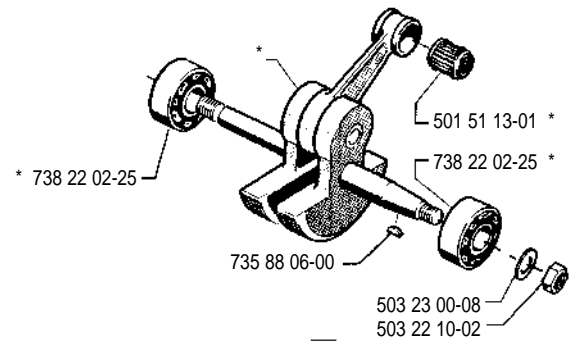
Reservdelar



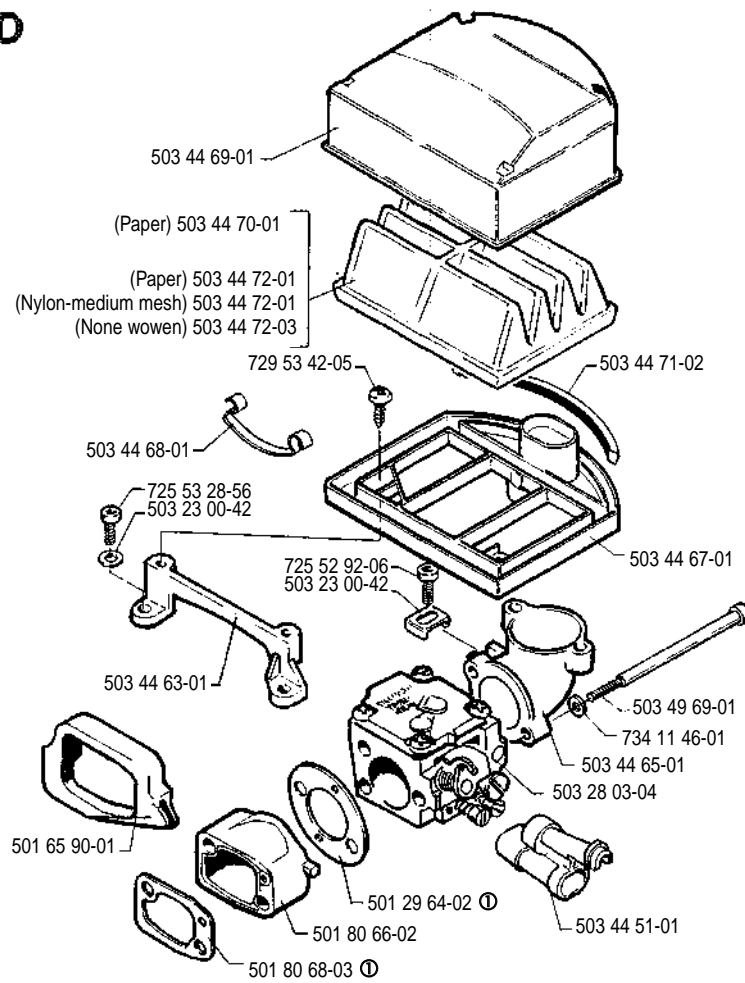
C * compl 501 65 85-71



H * compl 501 65 85-71

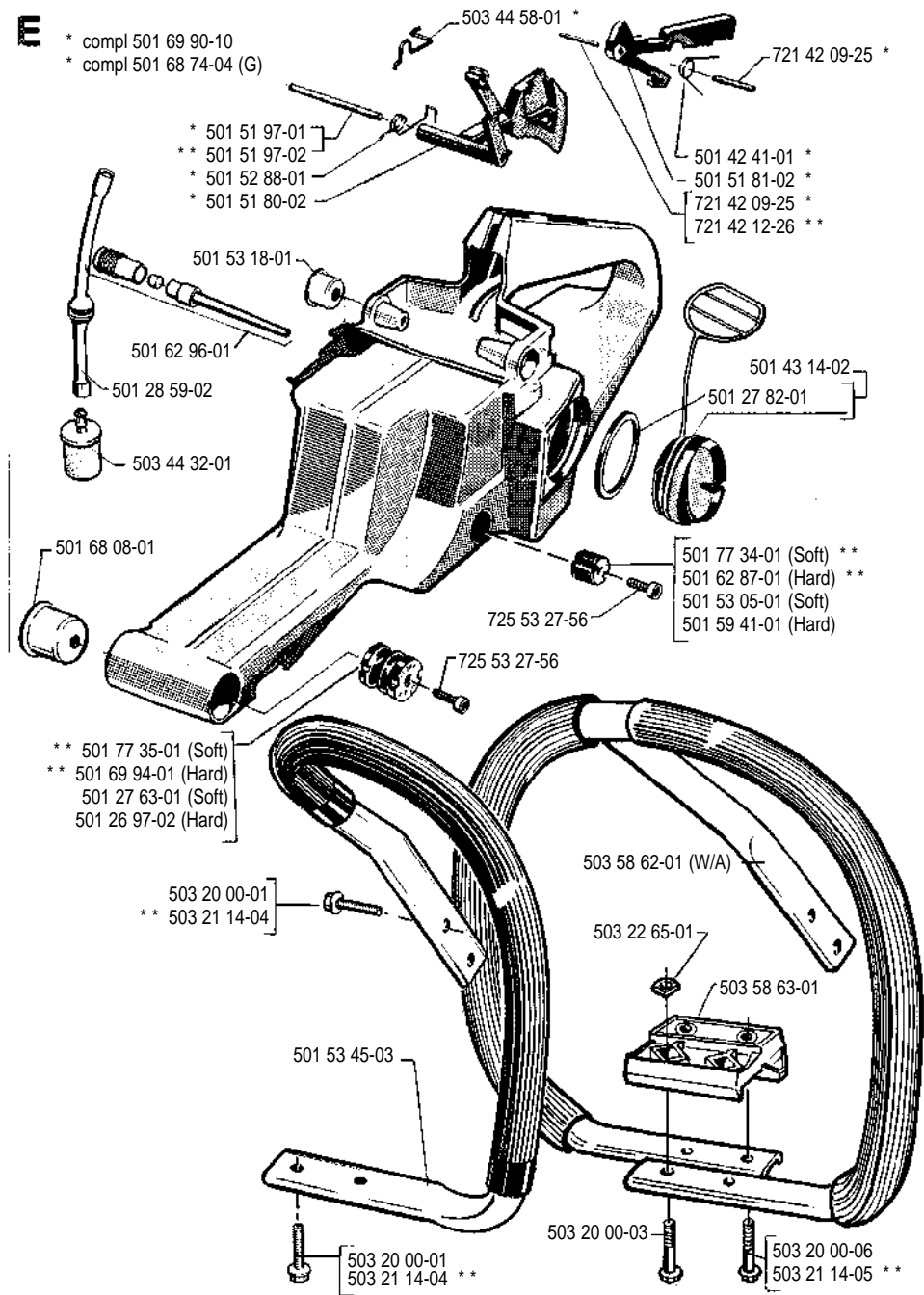


D

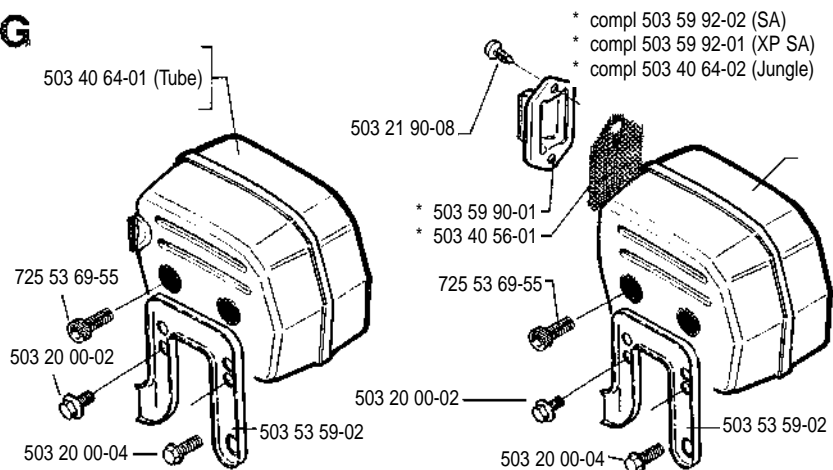


E

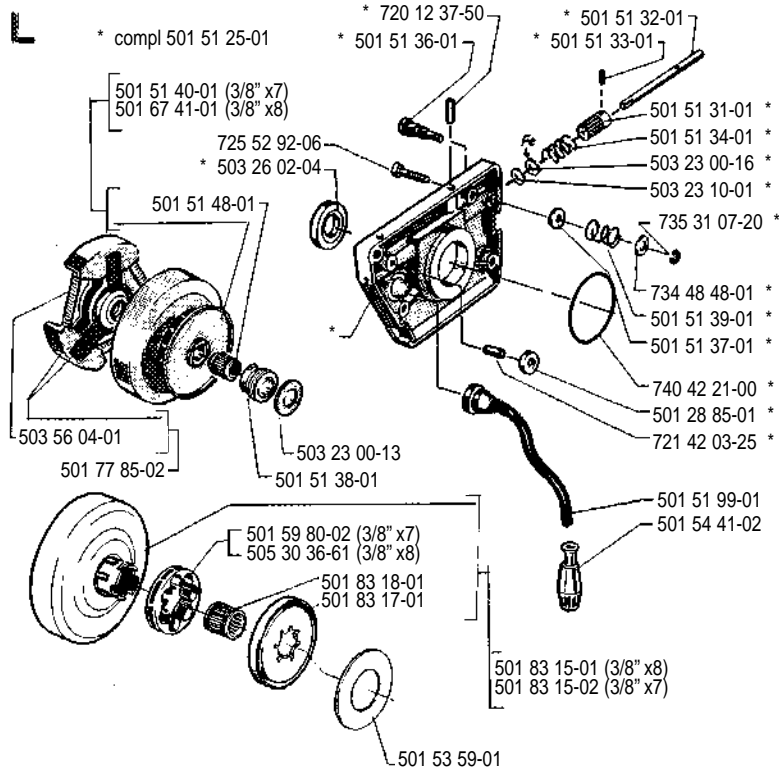
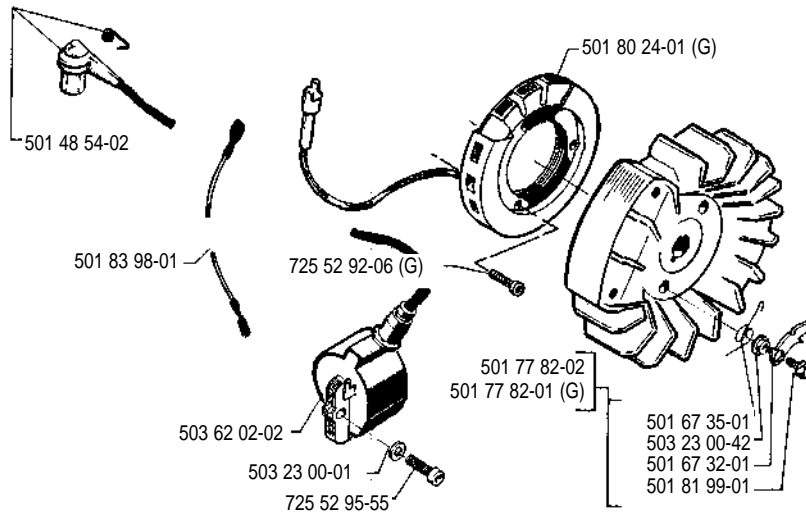
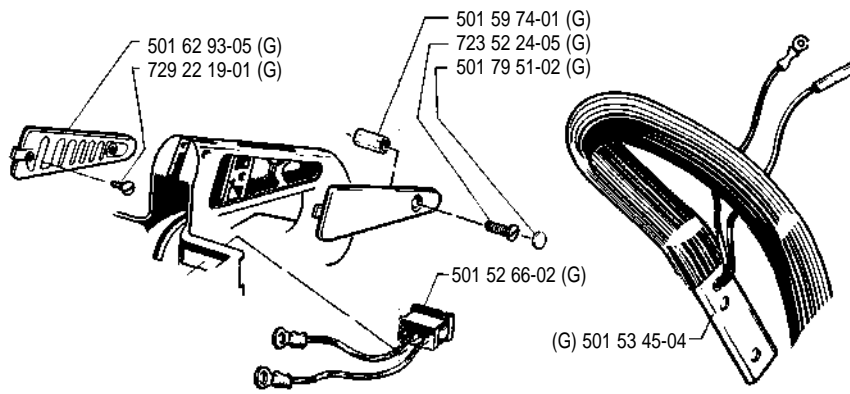
- * compl 501 69 90-10
- * compl 501 68 74-04 (G)



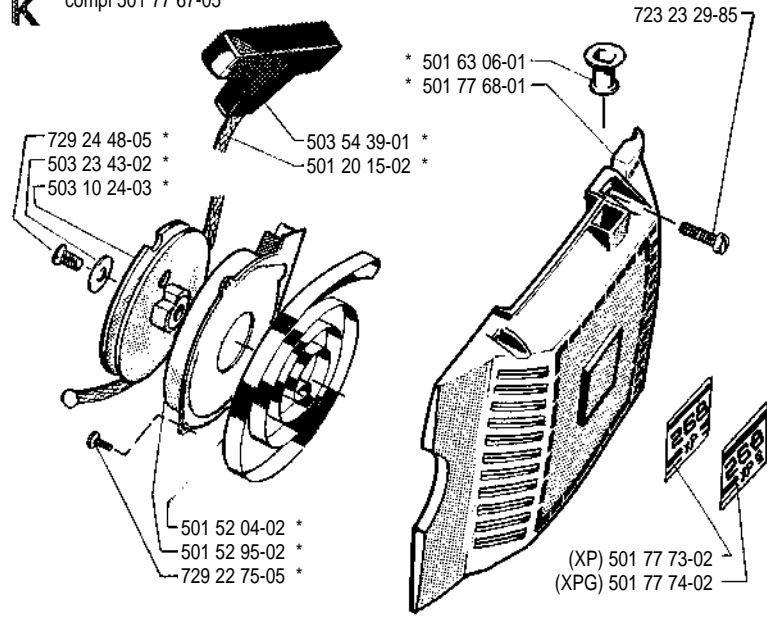
G



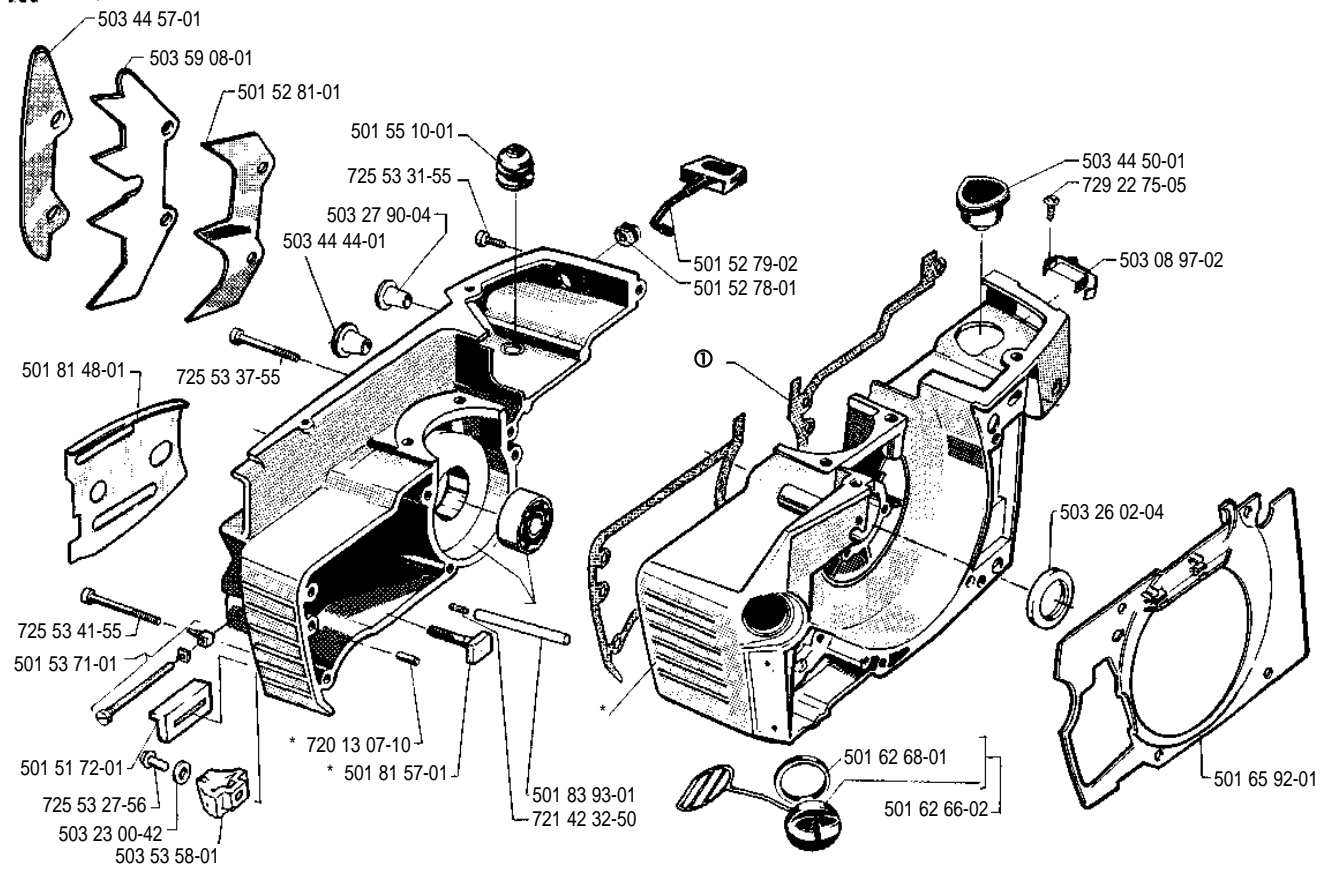
J



K * compl 501 77 67-05

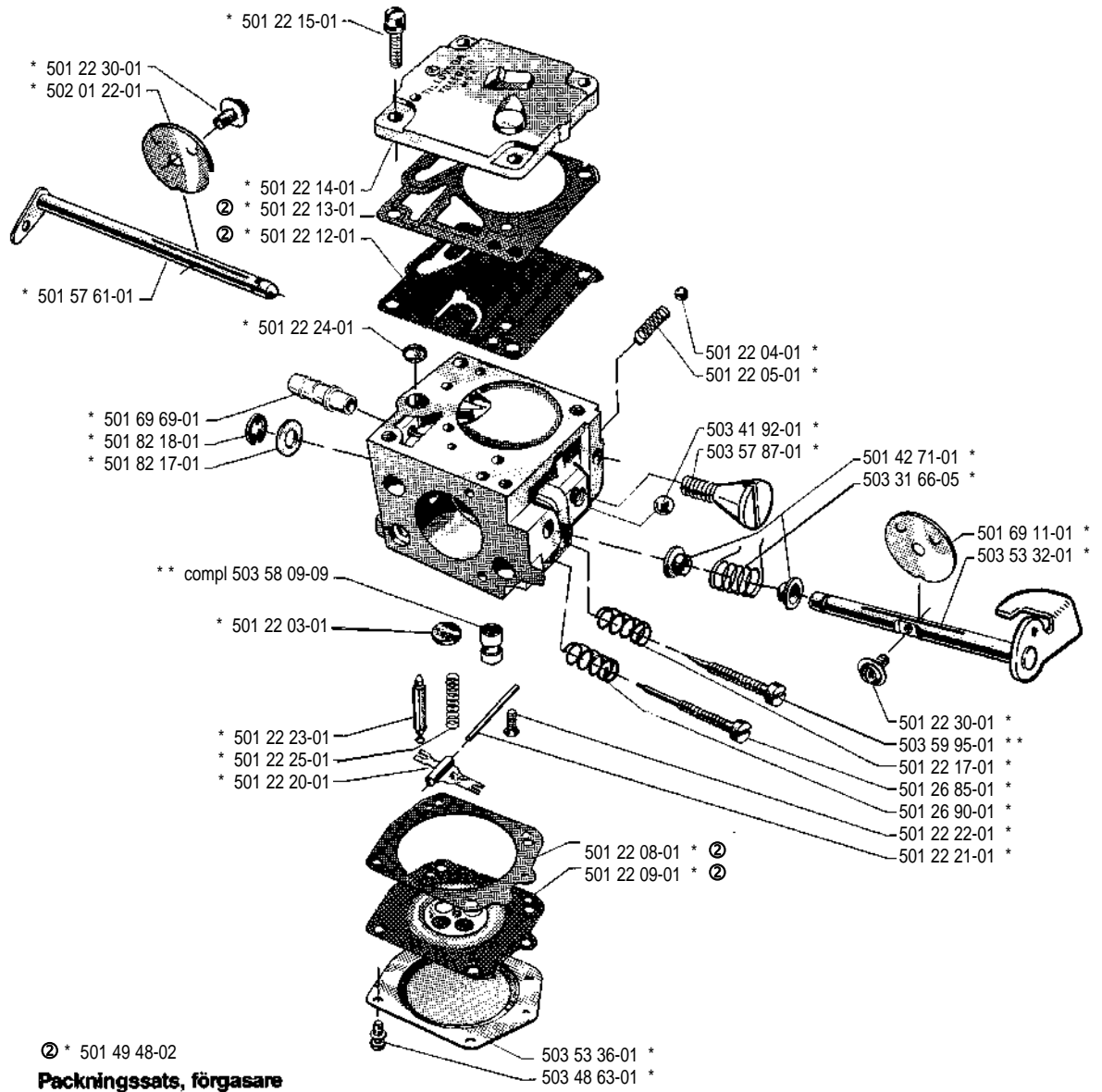


M * compl 501 77 99-01



N * compl 503 28 03-16

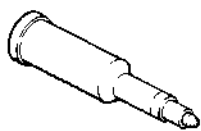
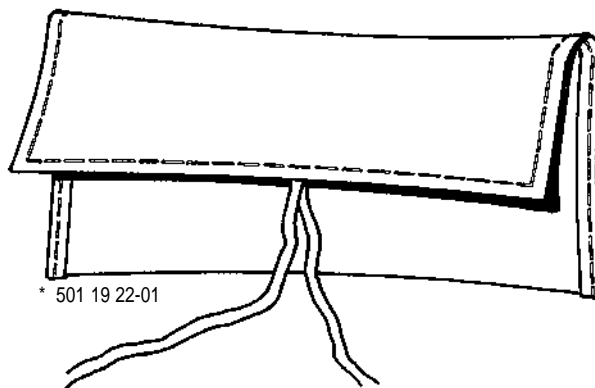
Tillotson HS 260A



② * 501 49 48-02
Packringssats, förgasare
Set of gaskets, carburettor
Dichtungssatz, Vergaser
Jeu de joints, carburateur

P Tillbehör
Accessories
Zubehöre
Accessoires
Accesorios
Pomucky

* compl 501 67 33-02



* 501 91 14-01



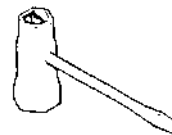
* 503 62 12-01



* 501 60 02-02

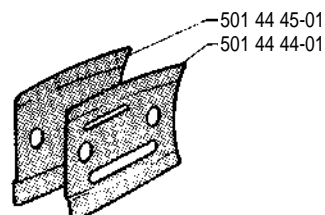
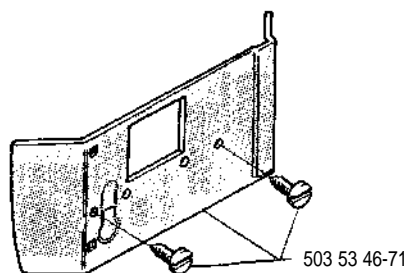


* 501 68 89-01



* 501 69 17-01

R Leveras endast som reservdel
Delivery as spare part only
Nur als Ersatzteil lieferbar
Livrabable seulement comme pièce de rechange
Solo como repuesto
Zasílá se jenom jako náhradní díl



MODEL NUMBER 268

| PARTNUMBER | SQUARE | NOTE | PARTNUMBER | SQUARE | NOTE | PARTNUMBER | SQUARE | NOTE | PARTNUMBER | SQUARE | NOTE |
|--------------|--------|---------|--------------|--------|------|--------------|--------|------|--------------|--------|------|
| 501 19 22-01 | P | | 501 53 18-01 | E | | 501 91 58-04 | A | | 503 53 36-01 | N | |
| 501 20 15-02 | K | | 501 53 45-03 | E | | 502 01 22-01 | N | | 503 53 46-71 | R | |
| 501 22 03-01 | N | | 501 53 45-04 | J | | 503 08 54-01 | P | | 503 53 58-01 | M | |
| 501 22 04-01 | N | | 501 53 59-01 | L | | 503 08 97-02 | M | | 503 53 59-02 | G | |
| 501 22 05-01 | N | | 501 53 71-01 | M | | 503 10 24-03 | K | | 503 54 39-01 | K | N |
| 501 22 08-01 | N | 2 | 501 54 41-02 | L | | 503 17 69-02 | B | | 503 56 04-01 | L | |
| 501 22 09-01 | N | 2 | 501 55 10-01 | M | | 503 20 00-01 | E | | 503 57 22-01 | A | |
| 501 22 12-01 | N | 2 | 501 57 61-01 | N | | 503 20 00-02 | G | | 503 57 28-01 | A | |
| 501 22 13-01 | N | 2 | 501 59 41-01 | E | | 503 20 00-03 | E | | 503 57 28-03 | A | |
| 501 22 14-01 | N | | 501 59 74-01 | J | | 503 20 00-04 | G | | 503 57 29-01 | A | |
| 501 22 15-01 | N | | 501 59 80-02 | L | | 503 20 00-06 | E | | 503 57 30-01 | A | |
| 501 22 17-01 | N | | 501 60 02-02 | P | | 503 20 32-01 | B | | 503 57 31-01 | A | |
| 501 22 20-01 | N | | 501 62 66-02 | M | | 503 21 14-04 | E | | 503 57 32-01 | A | |
| 501 22 21-01 | N | | 501 62 68-01 | M | | 503 21 14-05 | E | | 503 57 87-01 | N | N |
| 501 22 22-01 | N | | 501 62 87-01 | E | | 503 21 60-01 | C | | 503 57 95-02 | A | |
| 501 22 23-01 | N | N | 501 62 93-05 | J | | 503 21 90-08 | G | | 503 57 97-01 | A | |
| 501 22 24-01 | N | | 501 62 96-01 | E | | 503 22 00-01 | A | | 503 58 09-09 | N | N |
| 501 22 25-01 | N | | 501 63 06-01 | K | | 503 22 10-02 | H | | 503 58 62-01 | E | |
| 501 22 30-01 | N | | 501 65 85-71 | C | | 503 22 20-01 | A | | 503 58 63-01 | E | |
| 501 22 32-01 | N | | 501 65 90-01 | D | | 503 22 65-01 | E | | 503 59 07-01 | A | |
| 501 26 85-01 | N | | 501 65 92-01 | M | | 503 23 00-01 | J | | 503 59 08-01 | M | |
| 501 26 90-01 | N | | 501 65 94-02 | C | | 503 23 00-08 | H | | 503 59 09-01 | A | |
| 501 26 97-02 | E | | 501 65 94-03 | C | | 503 23 00-13 | L | | 503 59 90-01 | G | |
| 501 27 63-01 | E | | 501 67 32-01 | J | | 503 23 00-16 | L | | 503 59 92-01 | G | |
| 501 27 82-01 | E | | 501 67 33-02 | P | | 503 23 00-42 | D,J,M | | 503 59 92-02 | G | |
| 501 28 59-02 | E | | 501 67 35-01 | J | | 503 23 10-01 | L | | 503 59 93-01 | A | |
| 501 28 85-01 | L | | 501 67 41-01 | L | | 503 23 43-02 | K | | 503 59 95-01 | N | |
| 501 29 64-02 | D | 1 | 501 68 08-01 | E | | 503 23 51-08 | C | N | 503 62 02-02 | J | N |
| 501 42 41-01 | E | | 501 68 74-04 | E | | 503 26 02-04 | L,M | | 503 62 12-01 | P | N |
| 501 42 71-01 | N | | 501 68 89-01 | P | | 503 27 90-04 | M | | 504 80 40-00 | B | |
| 501 43 14-02 | E | | 501 69 11-01 | N | | 503 28 03-16 | D,N | N | 505 30 36-61 | L | |
| 501 44 44-01 | R | | 501 69 17-01 | P | | 503 28 90-17 | C | N | 505 31 66-05 | N | |
| 501 44 45-01 | R | | 501 69 69-01 | N | | 503 40 54-01 | C | 1 | 720 12 33-00 | A | |
| 501 48 54-02 | J | | 501 69 90-10 | E | | 503 40 56-01 | G | | 720 12 37-50 | L | |
| 501 49 48-02 | N | 2 compl | 501 69 94-01 | E | | 503 40 59-01 | B | | 720 13 07-10 | M | |
| 501 51 13-01 | C,H | | 501 76 80-01 | A | | 503 40 60-01 | B | | 721 42 03-25 | L | |
| 501 51 22-04 | C | 1 | 501 77 34-01 | E | | 503 40 60-02 | B | | 721 42 09-25 | E | |
| 501 51 25-01 | L | | 501 77 35-01 | E | | 503 40 64-01 | G | | 721 42 12-26 | E | |
| 501 51 31-01 | L | | 501 77 67-05 | K | | 503 40 64-02 | G | | 721 42 32-50 | M | N |
| 501 51 32-01 | L | | 501 77 68-01 | K | | 503 41 92-01 | N | | 721 42 52-50 | A | |
| 501 51 33-01 | L | | 501 77 73-02 | K | | 503 44 32-01 | E | | 723 23 29-85 | K | |
| 501 51 34-01 | L | | 501 77 74-02 | K | | 503 44 44-01 | M | | 723 52 24-05 | J | |
| 501 51 36-01 | L | | 501 77 82-01 | J | | 503 44 50-01 | M | | 725 52 92-06 | D,J,L | |
| 501 51 37-01 | L | | 501 77 82-02 | J | | 503 44 51-01 | D | | 725 52 93-56 | A | |
| 501 51 38-01 | L | | 501 77 85-02 | L | | 503 44 57-01 | M | | 725 52 95-55 | J | N |
| 501 51 39-01 | L | | 501 77 99-01 | M | | 503 44 58-01 | E | | 725 53 27-56 | A,E,M | |
| 501 51 40-01 | L | | 501 79 51-02 | J | | 503 44 63-01 | D | | 725 53 28-56 | D | |
| 501 51 48-01 | L | | 501 80 24-01 | J | | 503 44 64-01 | D | | 725 53 31-55 | M | |
| 501 51 54-01 | B | | 501 80 66-02 | D | | 503 44 65-01 | D | | 725 53 37-55 | M | |
| 501 51 72-01 | A,M | | 501 80 68-03 | D | 1 | 503 44 67-01 | D | | 725 53 41-55 | M | |
| 501 51 80-02 | E | | 501 81 48-01 | M | | 503 44 68-01 | D | | 725 53 69-55 | G | |
| 501 51 81-02 | E | | 501 81 57-01 | M | | 503 44 69-01 | D | | 729 22 19-01 | J | |
| 501 51 97-01 | E | | 501 81 99-01 | J | | 503 44 70-01 | D | | 729 22 75-05 | K,M | |
| 501 51 97-02 | E | | 501 82 17-01 | N | | 503 44 71-02 | D | | 729 24 48-05 | K | |
| 501 51 99-01 | L | | 501 82 18-01 | N | | 503 44 72-01 | D | | 729 53 42-05 | D | |
| 501 52 04-02 | K | | 501 83 15-01 | L | | 503 44 72-02 | D | | 729 57 13-05 | A | |
| 501 52 26-04 | | 1 compl | 501 83 15-02 | L | | 503 44 72-03 | D | | 734 11 46-01 | D | |
| 501 52 66-02 | J | | 501 83 17-01 | L | | 503 46 59-01 | A | | 734 48 48-01 | L | |
| 501 52 78-01 | M | | 501 83 18-01 | L | | 503 48 63-01 | N | | 735 31 07-20 | L | |
| 501 52 79-02 | M | | 501 83 93-01 | M | N | 503 49 03-01 | B | | 735 31 08-20 | A | |
| 501 52 81-01 | M | | 501 83 98-01 | J | | 503 49 34-01 | A | | 735 88 06-00 | H | |
| 501 52 84-02 | H | | 501 87 47-01 | A | | 503 49 69-01 | D | | 737 43 12-00 | C | N |
| 501 52 88-01 | E | | 501 87 49-01 | A | | 503 52 08-01 | A | N | 738 22 02-25 | H | |
| 501 52 95-02 | K | | 501 87 53-01 | A | | 503 53 32-01 | N | | 740 42 21-00 | L | |
| 501 53 05-01 | E | | 501 91 14-01 | P | | | | | | | |

1- 501 52 26-04
 Set of gaskets
 Dichtungssatz
 Jeu de joints
 Juego de juntas
 Packningssats

N=New part
 Neues Teil
 Nouvelle piece
 Nueva pieza
 Ny detalj