

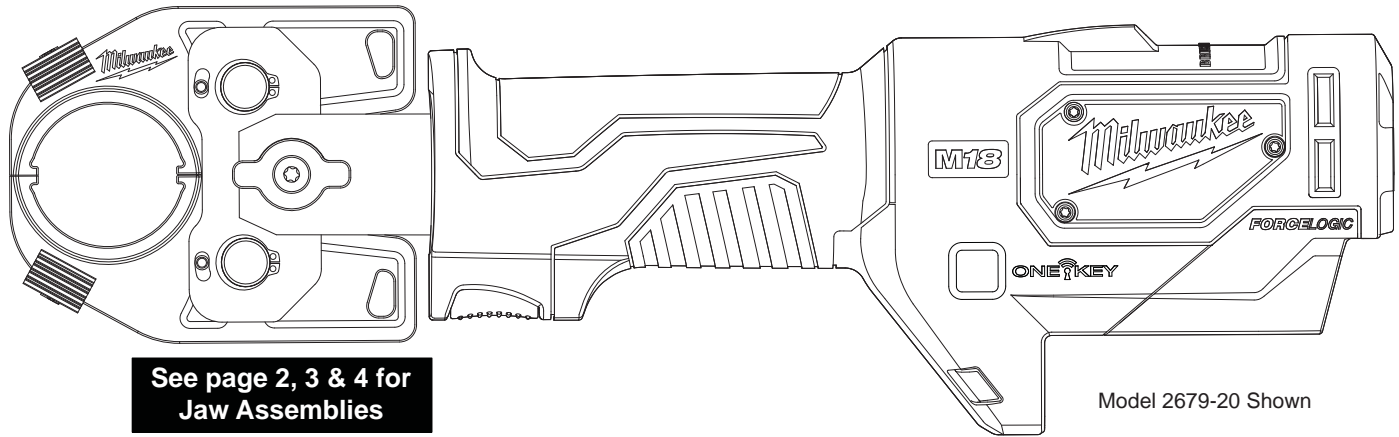


SERVICE PARTS LIST

BULLETIN NO.
54-00-6TCC

SPECIFY CATALOG NO. AND SERIAL NO. WHEN ORDERING PARTS		REVISED BULLETIN	DATE
M18™ FORCELOGIC™ 6T HYDRAULIC TOOLS			Feb. 2016
CATALOG NO.	SERIAL NUMBER	WIRING INSTRUCTION	

- 2672-20 M18™ FORCELOGIC™ 6T Cable Cutter and applicable jaw assemblies
- 2678-20 M18™ FORCELOGIC™ 6T Utility Crimper and applicable jaw assemblies
- 2679-20 M18™ FORCELOGIC™ 6T Commercial Crimper and applicable jaw assemblies



Due to the combination of hydraulics and electronics in this tool, service can only be performed at this Milwaukee factory Repair Center:

**MILWAUKEE ELECTRIC TOOL Central Repair
1013 Sycamore Avenue • Greenwood, MS 38930-7277**

Please send your tool directly to this location for service.

Or

Via e-Service at: www.milwaukeetool.com/e-service
questions, please call 1.800.SAWDUST (1.800.729.3878)

Or

Return it to a MILWAUKEE factory Service Center location, freight prepaid and insured.
A copy of the proof of purchase should be included with the return product.

If you have questions please contact Milwaukee Product Service at:

Product Technical Support via phone at: 262.783.8642

Or

Via email at: METProductSupport@milwaukeetool.com

Disassembly is not recommended and could void the warranty.

JAW ASSEMBLIES for the 2679-20
M18™ FORCELOGIC™ 6T Commercial Crimper

49-16-U000 U Jaw Assembly

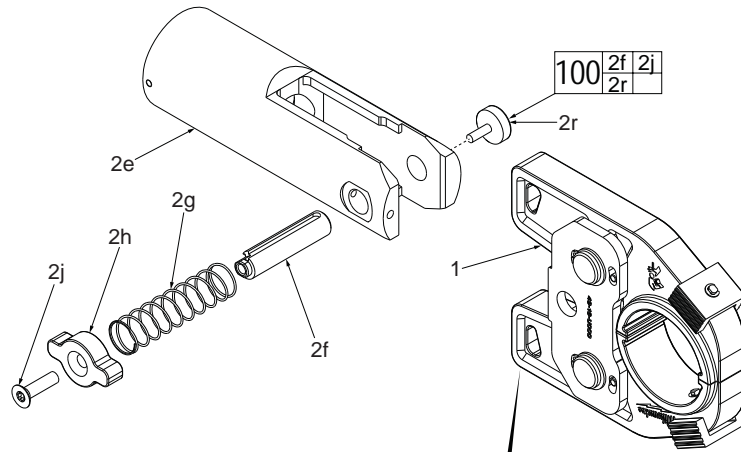


FIG.	PART NO.	DESCRIPTION OF PART	NO. REQ.
1	49-16-U000	U-Jaw Assembly	(1)
2e	-----	Clevis	(1)
2f	44-60-0036	Lock Pin	(1)
2g	40-50-0019	Lock Pin Spring	(1)
2h	31-12-0018	Lock Pin Cap	(1)
2j	06-82-0050	Clevis Pin Cap Screw T-25	(1)
2r	06-87-0010	Knurled Thumb Screw	(1)
80	-----	U-Jaw	(2)
81	-----	U-Jaw Die Pin	(2)
82	-----	U-Jaw Die Spring	(2)
83	-----	U-Jaw Release Tab	(2)
84	-----	C-Clip	(2)
85	44-86-0026	Retaining Ring	(4)
86	-----	U-Jaw Side Plate	(2)
87	-----	Extension Spring	(1)
88	-----	Translation Pin	(1)
89	-----	Stop Pin	(4)
90	-----	Pivot Pin	(2)
91	-----	Jaw Shim - 0.15	(4)
92	-----	Jaw Shim - 0.25	(4)
93	44-60-0024	U-Jaw Die Pin Kit	(1)
100	44-60-0038	Clevis Pin Upgrade Kit	(1)

