



SERVICE PARTS LIST

BULLETIN NO.
55-26-2681

SPECIFY CATALOG NO. AND SERIAL NO. WHEN ORDERING PARTS		REVISED BULLETIN 55-26-2680	DATE Nov. 2014
CORDLESS 18V 3/4" SQUARE IMPACT WRENCH			
CATALOG NO.	2664-059	STARTING SERIAL NO.	D44B
		WIRING INSTRUCTION See Page 3	

EXAMPLE:

00	0
----	---

 Component Parts (Small #)
 Are Included When Ordering
 The Assembly (Large #).

★ = Part number change from previous service parts list.

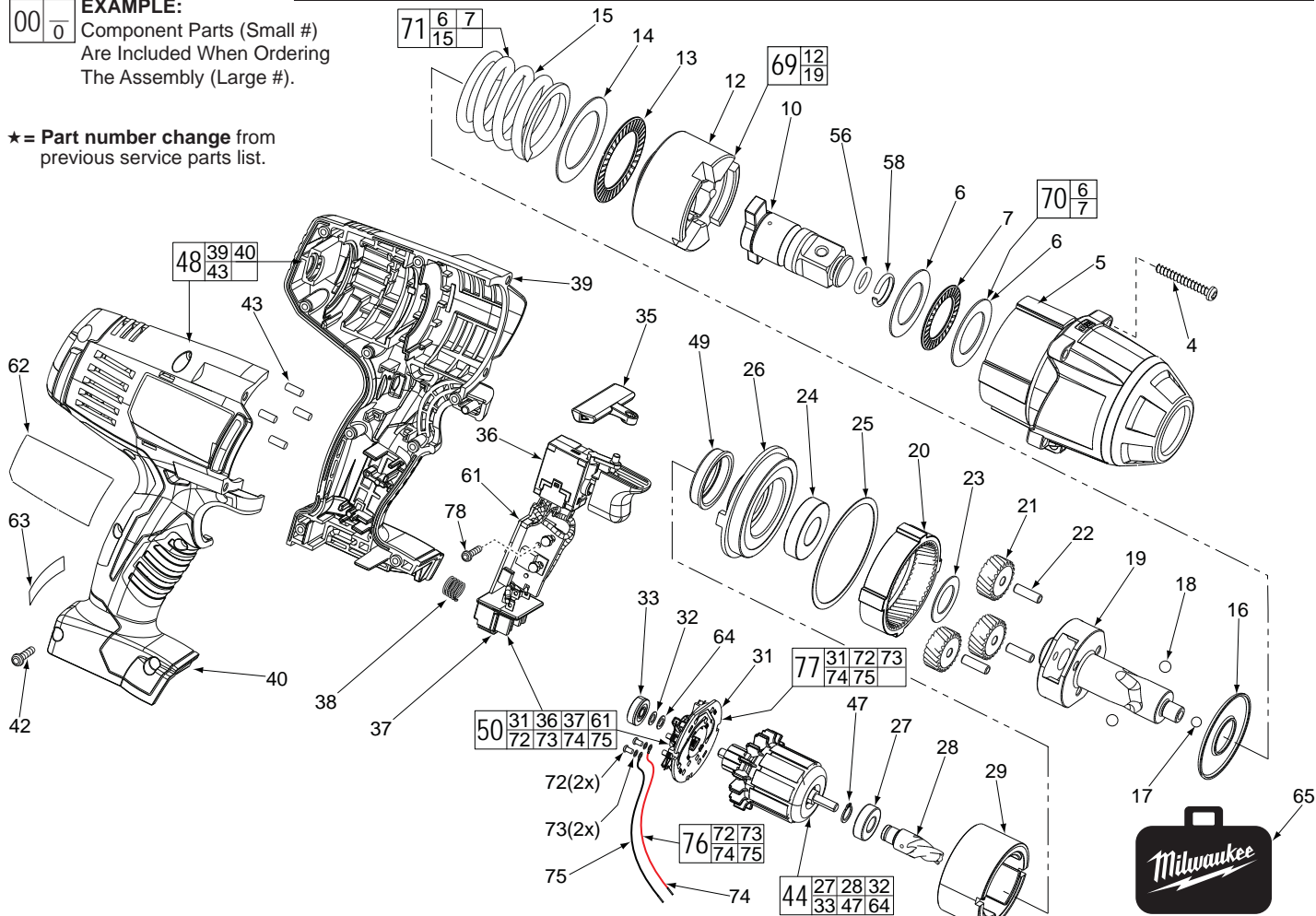
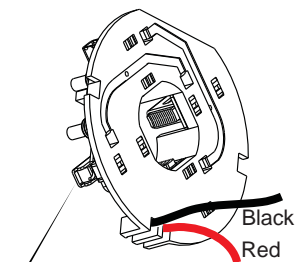


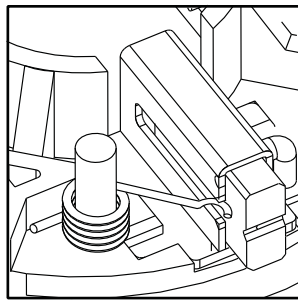
FIG.	PART NO.	DESCRIPTION OF PART	NO.REQ.
4	05-88-5988	M5 X 35mm Pan Hd. Slit. T-20 Screw	(4)
5	14-30-0965	Front Housing Assy. w/ Bushing and O-Rings	(1)
6	-----	Washer	(2)
7	-----	Thrust Bearing	(1)
10	42-06-0690	3/4" Anvil	(1)
12	-----	Hammer	(1)
13	02-80-0200	Thrust Bearing	(1)
14	45-88-1006	Washer	(1)
15	-----	Compression Spring	(1)
16	45-88-1650	Washer	(1)
17	02-02-7010	7/32" Ball	(1)
18	02-02-0250	1/4" Ball	(2)
19	-----	Camshaft	(1)
20	32-65-0260	Ring Gear	(1)
21	32-62-0500	Planet Gear	(3)
22	44-60-1960	Pin	(3)
23	45-88-1655	Washer	(1)
24	02-04-0375	Ball Bearing	(1)
25	34-40-0290	Seal Ring	(1)
26	44-66-0895	Motor Mount Plate	(1)
27	-----	Ball Bearing - Front	(1)
28	-----	Pinion	(1)
29	18-01-3025	Service Field Assembly	(1)
31	-----	Brush Card	(1)
32	-----	Washer	(1)
33	-----	Ball Bearing - Rear	(1)
35	45-24-0570	Forward / Reverse Shuttle Switch	(1)
36	-----	Connector Block	(1)
37	-----	Compression Spring	(1)
38	40-50-1090	Handle - Left	(1)
39	-----	Handle - Right	(1)
40	-----	Handle - Right	(1)
42	06-82-0995	M4 x 16mm Pan Hd. T-20 Screw	(9)
43	45-30-0255	Rubber Slug	(4)
44	16-01-3030	Armature Assembly	(1)
47	-----	Retaining Ring	(1)

FIG.	PART NO.	DESCRIPTION OF PART	NO.REQ.
★48	31-44-0696	Handle Set	(1)
49	45-22-0380	Rubber Cap	(1)
★50	22-56-1451	Switch/Connector Block Assembly	(1)
56	34-40-1210	O-Ring	(1)
58	44-90-4540	C-Ring	(1)
61	-----	PCBA	(1)
62	-----	Service Nameplate Kit	(1)
63	10-20-2998	Warning Label	(1)
64	-----	Washer	(1)
65	42-55-2665	Carrying Case, Optional	(1)
69	14-46-2070	Camshaft/Hammer Service Kit	(1)
70	45-88-1877	Washer/Bearing Kit	(1)
71	14-46-0755	Spring/Washer/Bearing Kit	(1)
72	05-88-0928	M3 x 5mm Pan Hd. T10 Screw	(2)
73	45-88-1980	Spring Washer	(2)
74	-----	Leadwire Assembly - Red	(1)
75	-----	Leadwire Assembly - Black	(1)
76	14-46-2395	Leadwire/Screw/Washer Kit	(1)
77	14-46-2024	Brush Card Assembly	(1)
★78	06-82-2395	M2.6 x 10 Pan Hd. T-8 Screw	(1)

FIG. LUBRICATION
(Type 'Z' Grease, No. 49-08-7655):
 20,21 Lightly coat the I.D. of the Ring Gear (20) and the center of the three Planet Gears (21) with grease.
 19 Place a dab of grease in ball grooves of the Cam Shaft (19).
 10 Lightly coat the front washer surface of Anvil (10) with grease, place a dab in the Ball hole on the backside of Anvil.
 3 Coat outside grooves of Bushing (3) with grease.



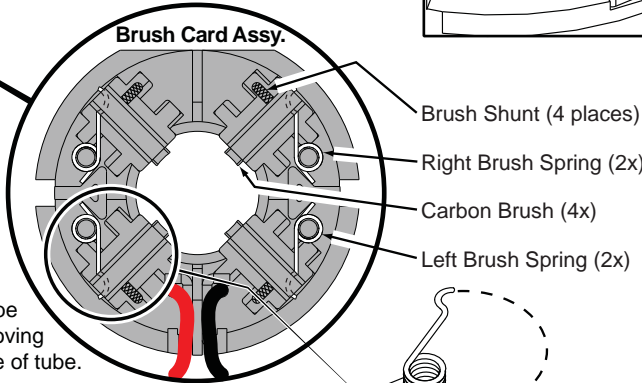
Black
Red



NOTE:

As an aid to prevent damage to the armature commutator or the brushes when removing and installing the armature assembly, it is recommended to pull the carbon brushes partially back into the brush tube. The carbon brushes will be held in place with the brush spring moving from the rear of the brush to the side of the brush.

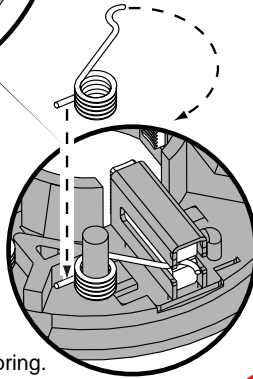
In the unlikely event that the spring pops off follow the instructions below.



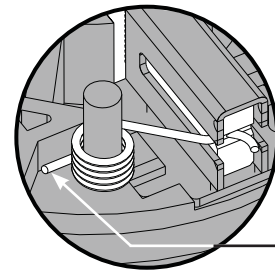
Be sure carbon brush is in brush tube with brush shunt moving freely in side groove of tube.

Place brush spring over post with short leg positioned downward as shown. Be sure spring is completely down with short leg trapped against 'Y' shaped wall on brush card.

While holding spring in place, bring the long leg of spring over the brush tube and through rear opening of tube. Position rounded hook of spring in groove on back of carbon brush. Be sure to check for free movement between carbon brush, brush shunt and brush spring.



Wrong



Correct

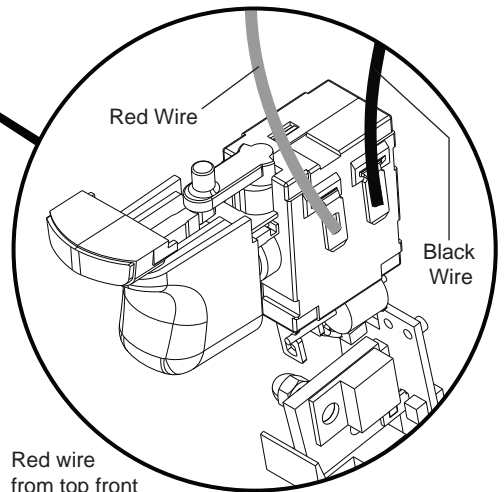
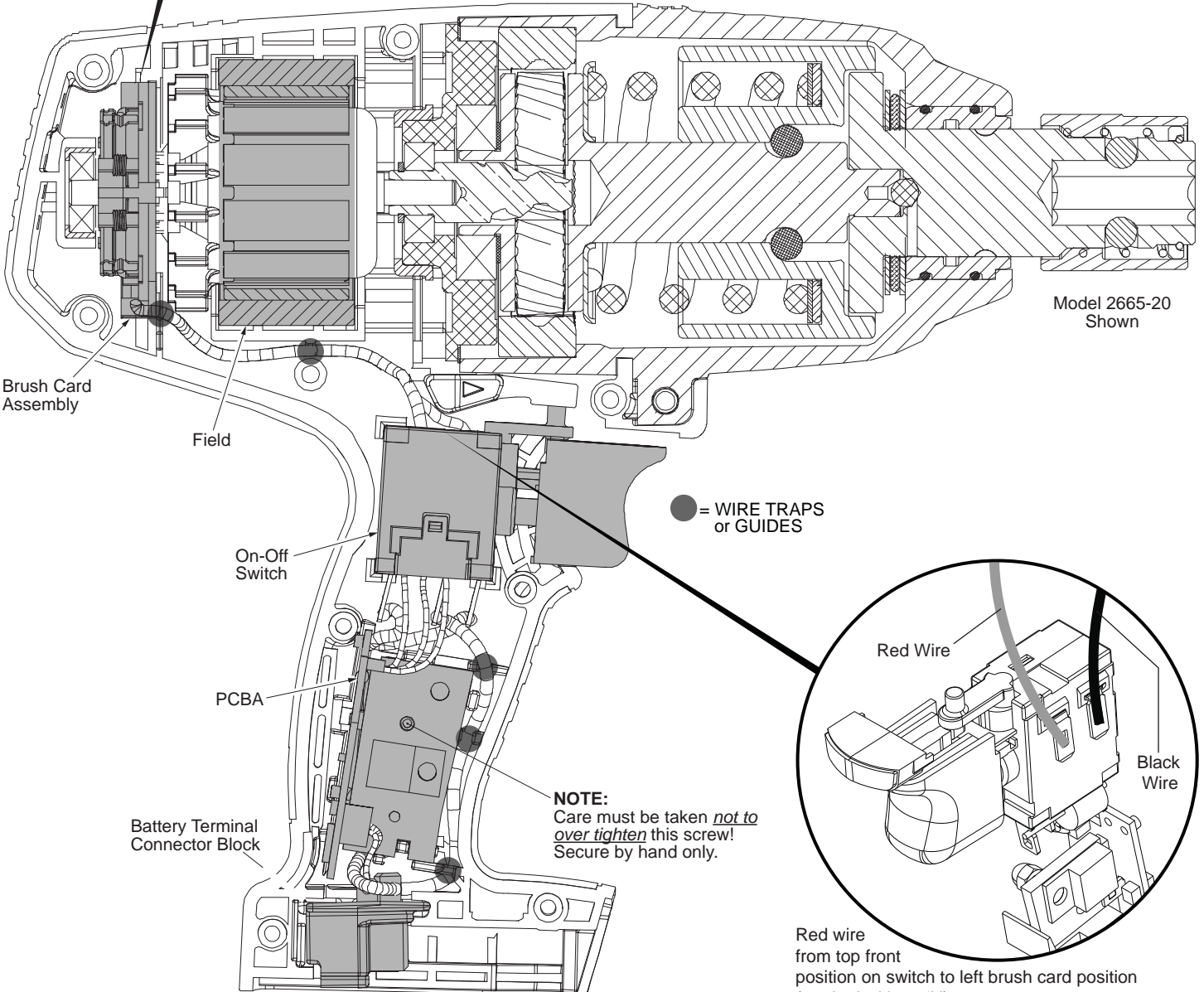
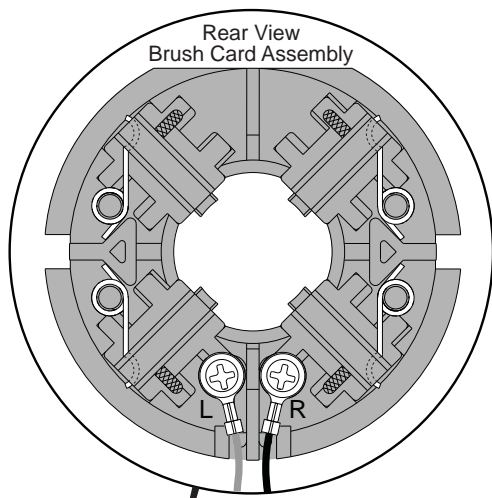
Short leg of spring to the bottom

AS AN AID TO REASSEMBLY, TAKE NOTICE OF WIRE ROUTING AND POSITION IN WIRE GUIDES AND TRAPS WHILE DISMANTLING TOOL.

BE SURE THAT ALL COMPONENTS OF THE ELECTRONICS KIT ARE SEATED FIRMLY AND SQUARELY IN THE HANDLE RECESSES.

AVOID PINCHED WIRES, BE SURE THAT ALL WIRES AND SLEEVES ARE PRESSED COMPLETELY DOWN IN WIRE GUIDES AND TRAPS.

PRIOR TO INSTALLING THE HANDLE COVER ONTO THE HANDLE SUPPORT, BE SURE THAT THERE ARE NO INTERFERENCES.



Red wire from top front position on switch to left brush card position (marked with an 'L').

Black wire from top rear position on switch to right brush card position (marked with an 'R').