



**BOSCH**

# Impact Wrench

26614 | 3 601 JA1 910

---

## Table of Content

|                          |   |
|--------------------------|---|
| Spare parts list.....    | 2 |
| Illustration - Type..... | 3 |

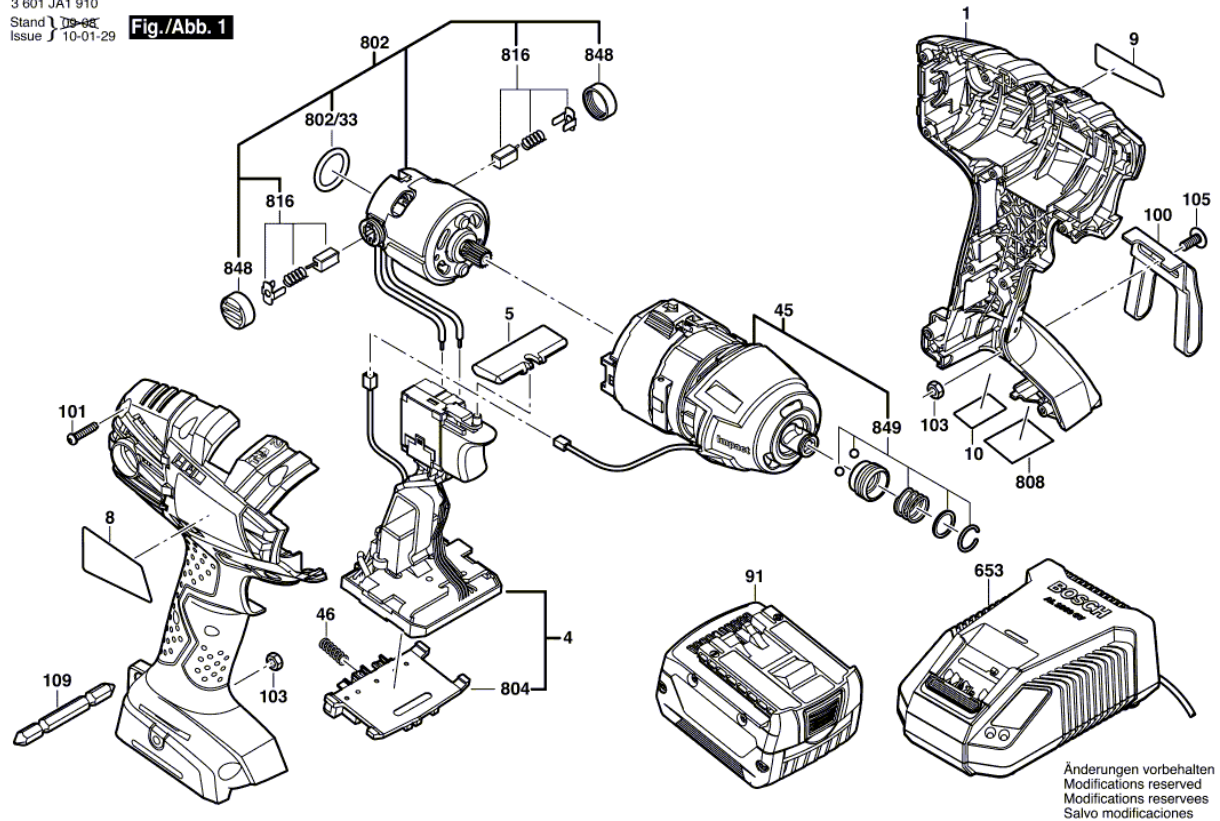
## Spare parts list

| Item   | Part Number   | Description                          | Illustration |
|--------|---------------|--------------------------------------|--------------|
| 1      | 2 609 100 788 | Housing BLUE                         | 1            |
| 4      | 1 607 233 350 | Electronic Assembly                  | 1            |
| 5      | 2 609 100 698 | Button                               | 1            |
| 8      | 2 609 132 444 | Warning Label                        | 1            |
| 9      | 2 609 132 426 | Manufacturer's nameplate             | 1            |
| 10     | 2 609 132 614 | Reference Plate                      | 1            |
| 45     | 2 609 199 254 | Gear Box                             | 1            |
| 46     | 1 609 280 477 | Compression Spring                   | 1            |
| 91     | 2 607 336 079 | Battery Set 14,4V, 2,6Ah, LI, MS     | 1            |
| 91     | 2 607 336 321 | Battery Set 14,4V, 1,3Ah, Li         | 1            |
| 100    | 2 609 110 833 | Clip                                 | 1            |
| 101    | 2 609 110 201 | Torx Flat-Head Screw 3x16            | 1            |
| 103    | 2 609 110 835 | Nut                                  | 1            |
| 105    | 2 609 110 834 | Screw                                | 1            |
| 109    | 2 609 110 343 | Screwdriver Blade                    | 1            |
| 653    | 2 607 225 927 | Charger USA BC 1880 CV 13,3-18V/120V | 1            |
| 802    | 2 609 199 262 | DC motor 14,4V                       | 1            |
| 802/33 | 2 609 170 104 | O-Ring                               | 1            |
| 804    | 1 609 280 474 | Contact retainer                     | 1            |
| 808    | 2 609 132 409 | Nameplate                            | 1            |
| 816    | 2 609 199 169 | Carbon-Brush Set                     | 1            |
| 848    | 2 609 199 190 | Brush-Cover                          | 1            |
| 849    | 2 609 199 223 | Bit holder                           | 1            |

Illustration - Type - E

3 601 JA1 910  
 Stand 10-01-20  
 Issue 10-01-29

Fig./Abb. 1



Änderungen vorbehalten  
 Modifications reserved  
 Modifications reserves  
 Salvo modificaciones