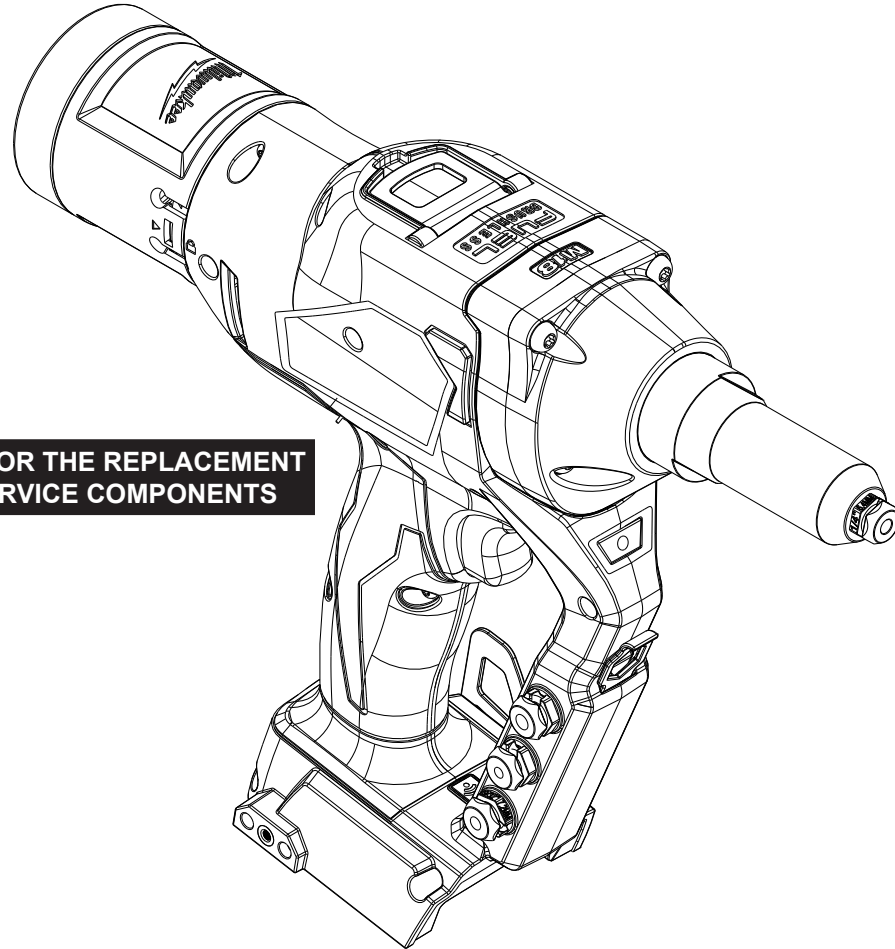




SERVICE PARTS LIST

BULLETIN NO.
54-00-2660

SPECIFY CATALOG NO. AND SERIAL NO. WHEN ORDERING PARTS		REVISED BULLETIN	DATE
M18™ FUEL™ RIVET TOOL with ONE-KEY™			Jan. 2022
CATALOG NO. 2660-20	STARTING SERIAL NO. L93A	WIRING INSTRUCTION	



SEE PAGE TWO FOR THE REPLACEMENT OF EXTERNAL SERVICE COMPONENTS

Due to the complexities of One-Key™ electronics contact the following for service related questions and issues:

e-Service at: www.milwaukeetool.com/e-service

or

questions, please call 1.800.SAWDUST (1.800.729.3878)

or

Visit www.milwaukeetool.com or

Return it to a MILWAUKEE *factory* Service Center location, freight prepaid and insured.

A copy of the proof of purchase should be included with the return product.

If you have questions please contact Milwaukee Product Service at:

Product Technical Support via phone at: 262.783.8642

or

Via email at: METProductSupport@milwaukeetool.com

Disassembly is not recommended and could void the warranty.

