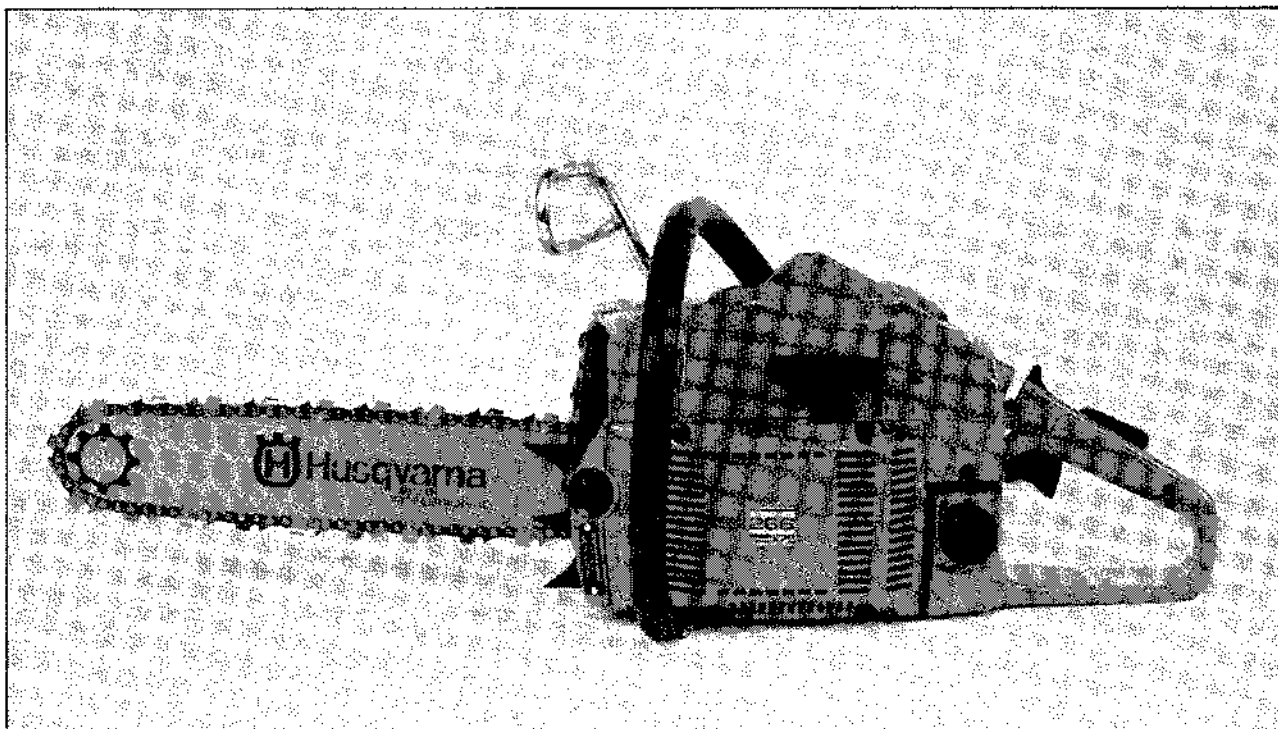


266



1. 1988

Spare parts

Ersatzteile

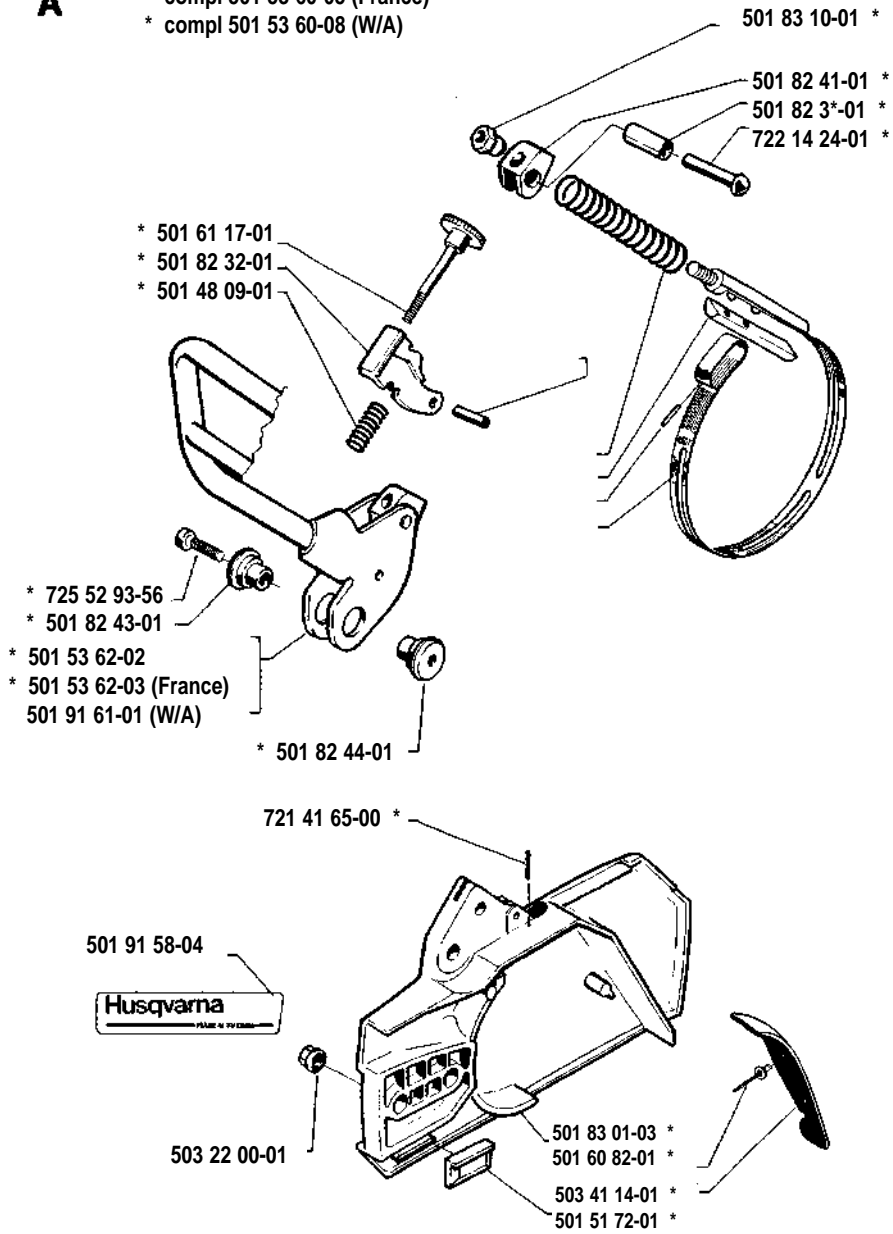
Pièces détachées

Repuestos

Reservdelar

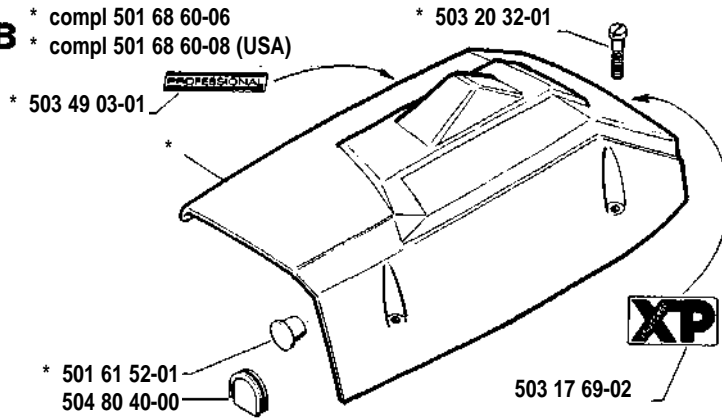
A

- * compl 501 53 60-04
- * compl 501 53 60-05 (France)
- * compl 501 53 60-08 (W/A)

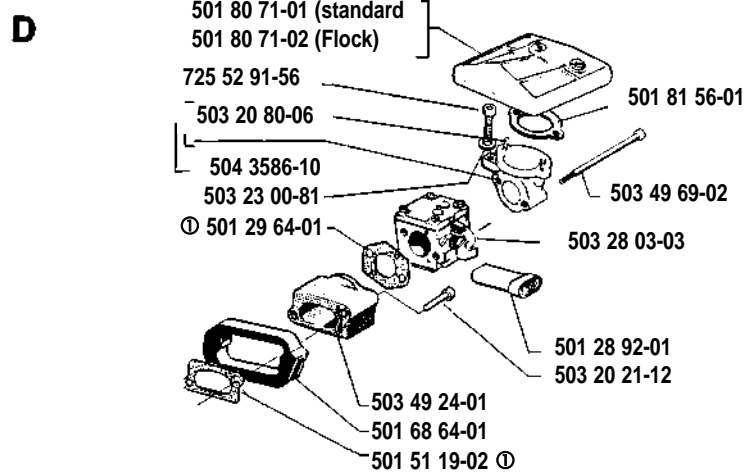
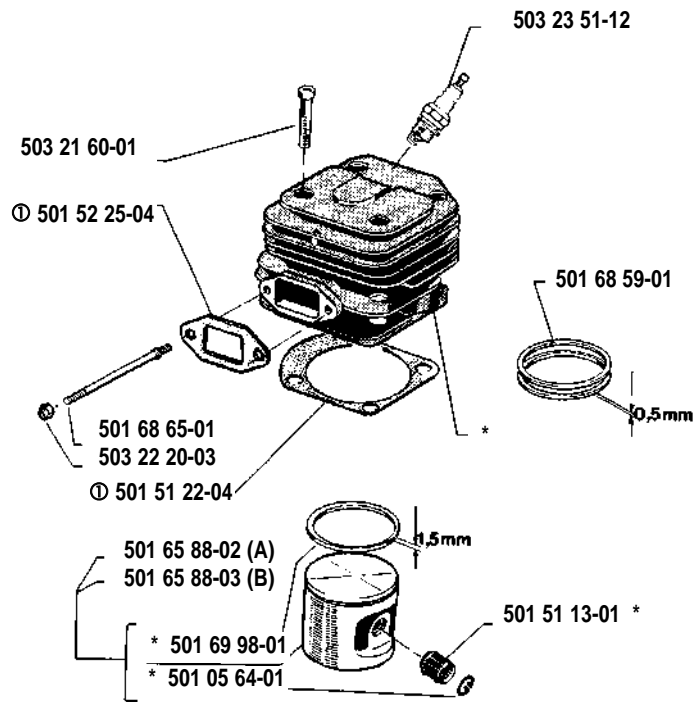


B

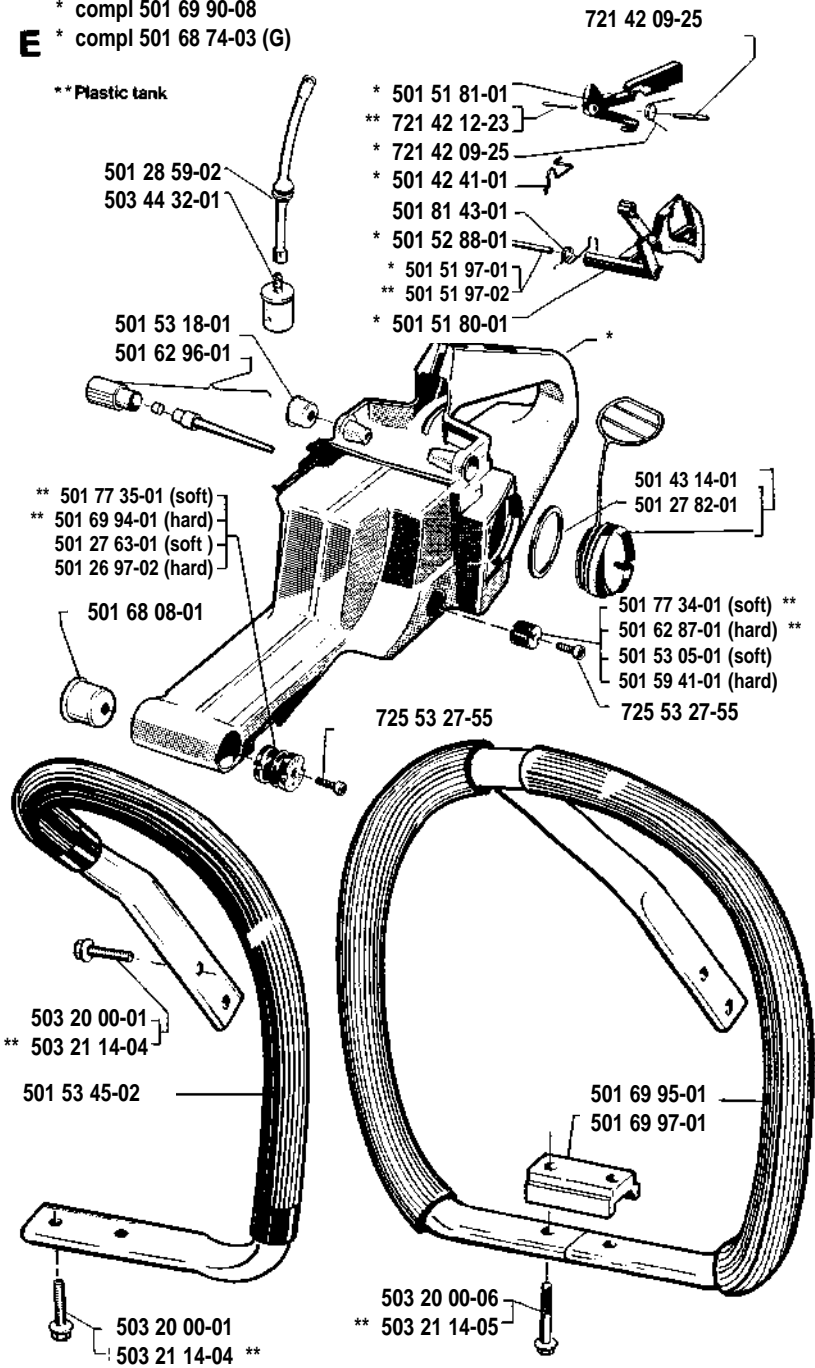
- * compl 501 68 60-06
- * compl 501 68 60-08 (USA)



C * compl 501 68 55-71

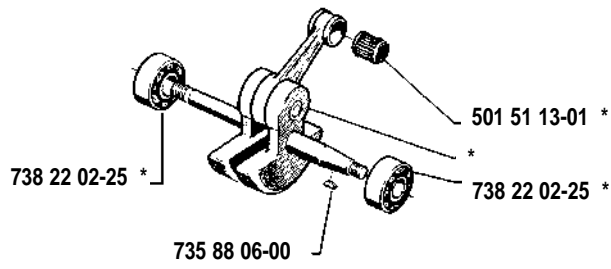


* compl 501 69 90-08
E * compl 501 68 74-03 (G)

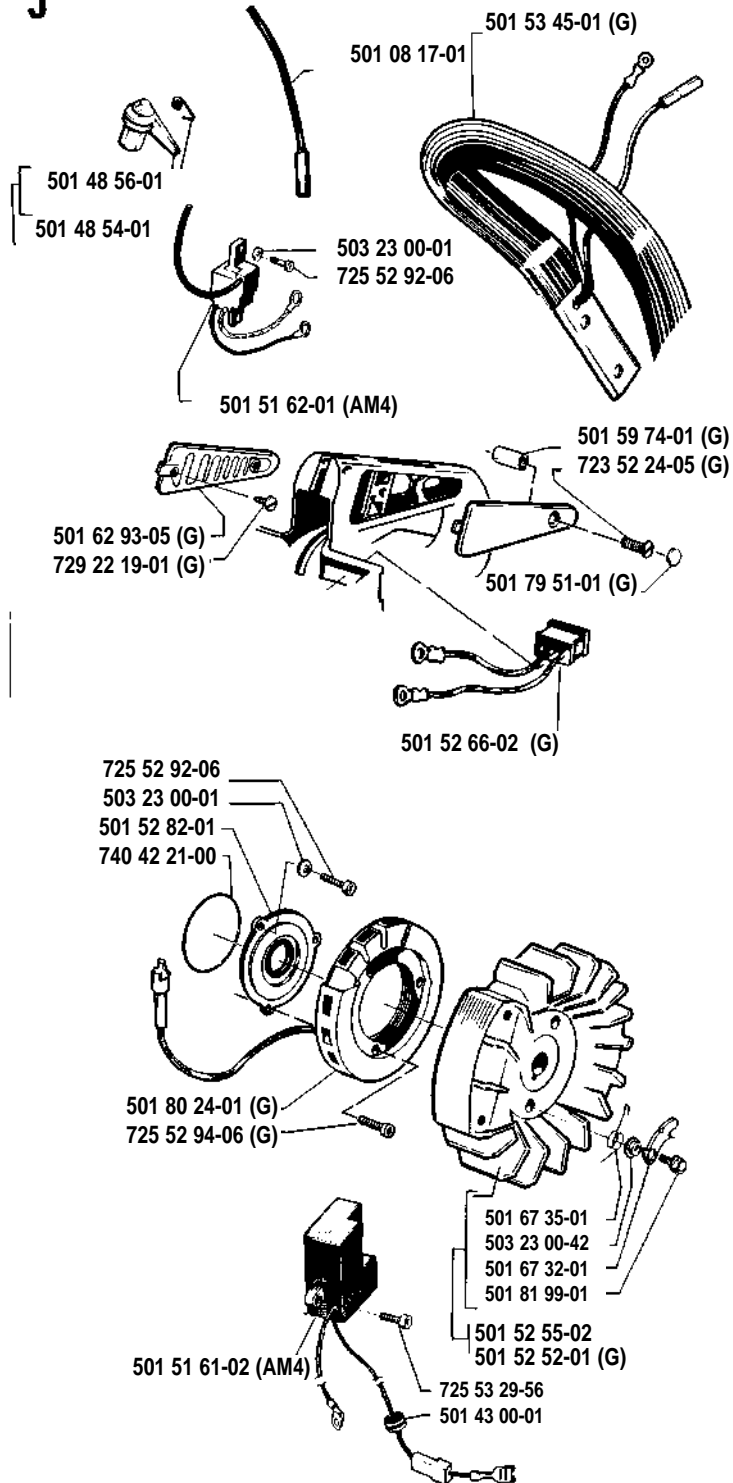


H

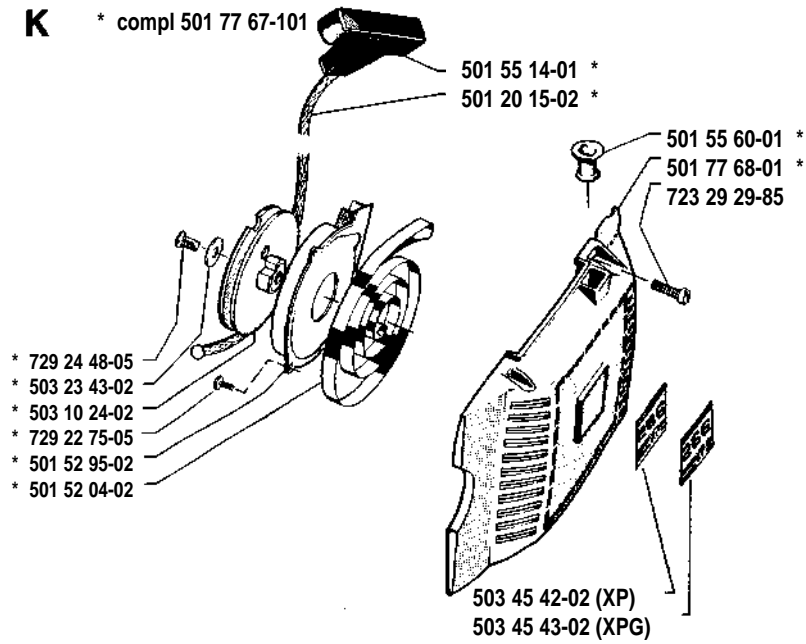
* compl 501 52 84-02



J

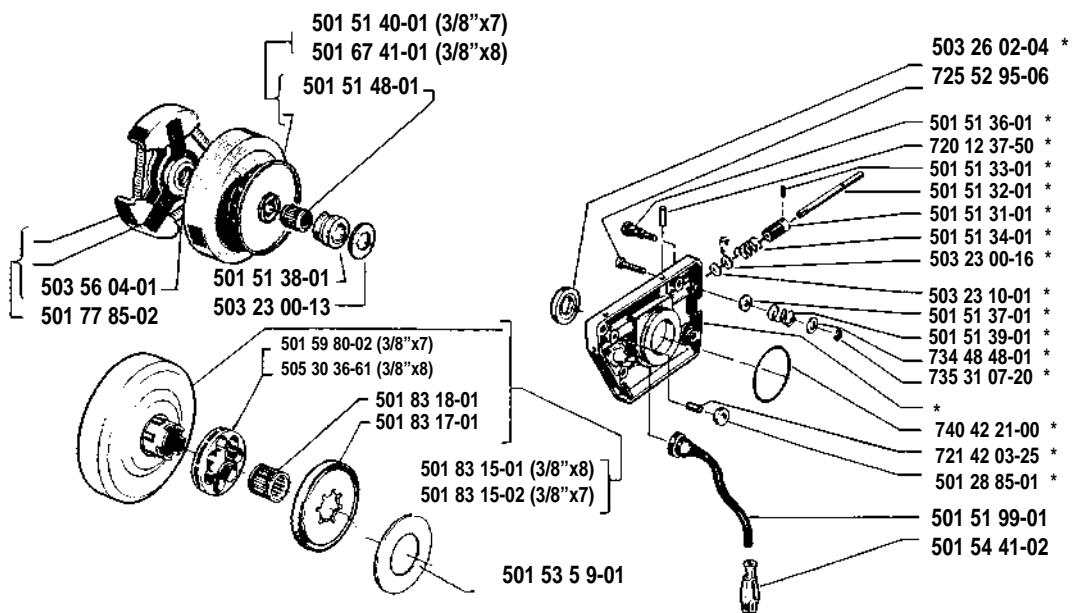


K * compl 501 77 67-101

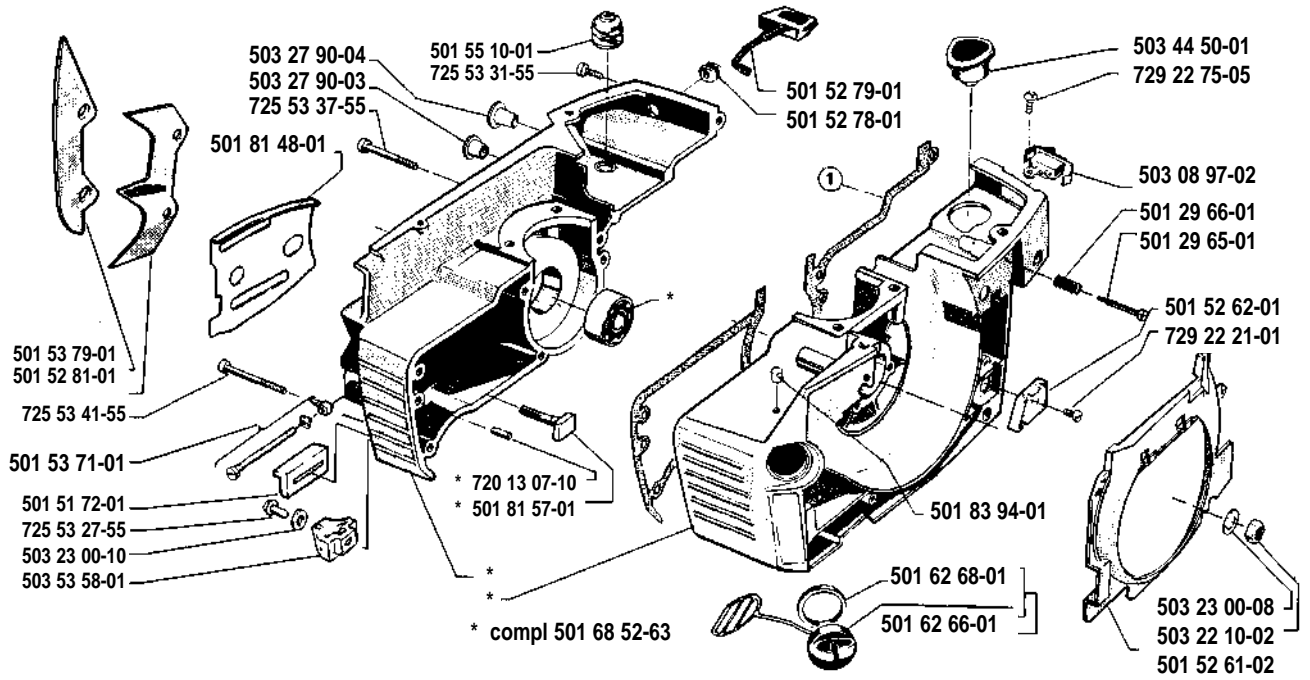


L

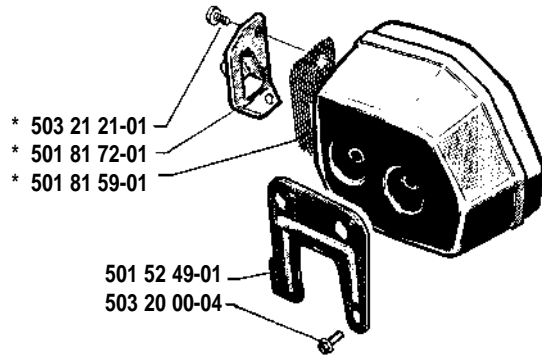
* compl 501 51 25-01



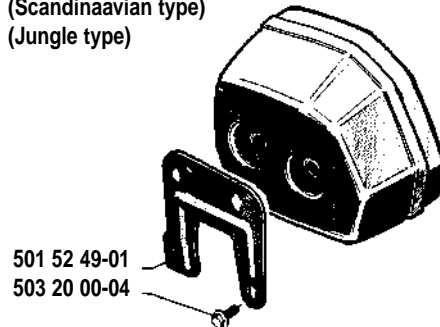
M



G * compl 501 65 77-01
* compl 501 65 77-3 (XP)



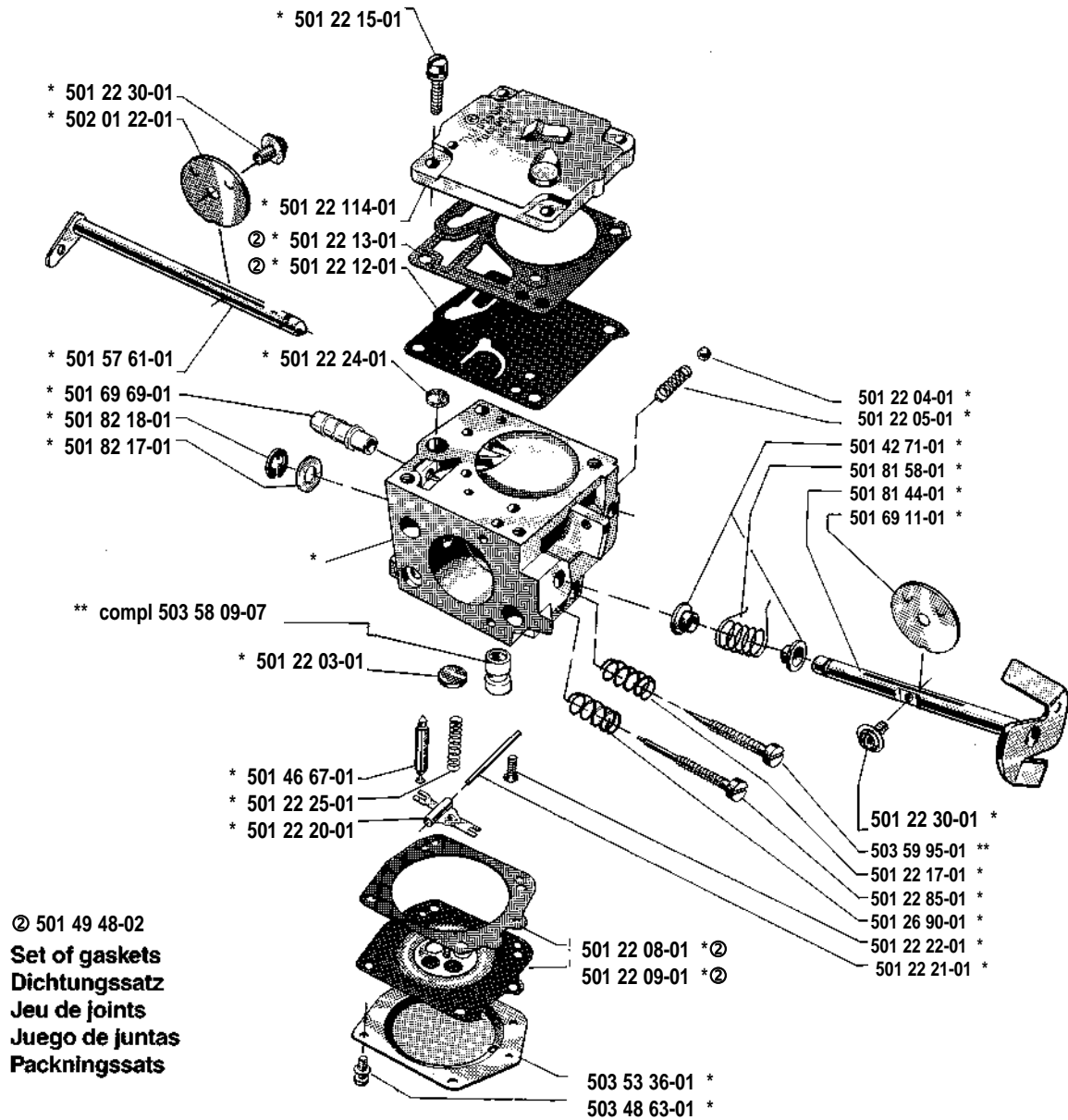
501 65 76-01 (Scandinavian type)
501 65 78-01 (Jungle type)



N

* compl 503 28 03-03

Tillotson HS 224 C

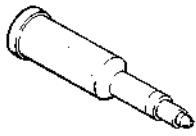
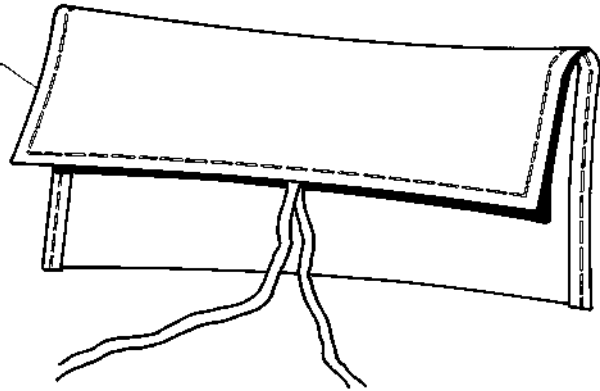


P

* compl 501 67 33-02

**Tillbehör
Accessories
Zubehöre
Accessoires
Accesorios
Pomůcky**

* 501 19 22-01



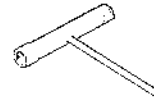
* 501 91 14-01



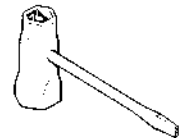
* 503 08 54-01



* 501 60 02-02



* 501 68 89-01



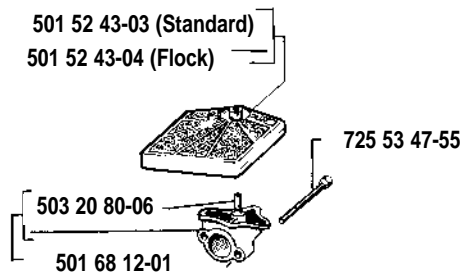
* 501 69 17-01

R

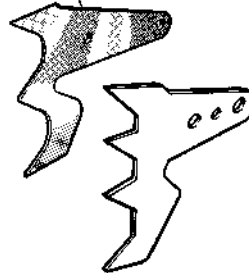
Levereras endast som reservdel
Delivery as spare part only
Nur als Ersatzteil lieferbar
Livrabable seulement comme pièce de rechange
Solo como repuesto
Zasílá se jenom jako náhradní díl

501 52 43-03 (Standard)

501 52 43-04 (Flock)

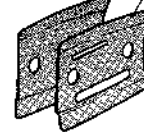


501 53 14-01



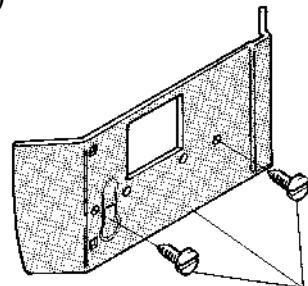
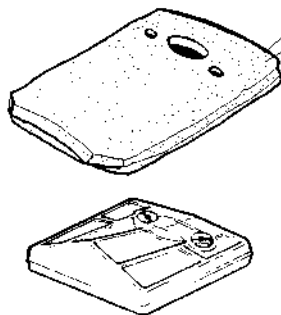
501 44 45-01

501 44 44-01



503 17 78-01 (162)

503 17 81-01 (266)



503 53 46-71

| Ref.-No. Teil-Nr. N° de réf. N° ref. Ref. nr. | Square Viereck Carreau Cuadro Ruta | Remark Vermerk Notes Notes Observ. Anm. | Ref.-No. Teil-Nr. N° de réf. N° ref. Ref. nr. | Square Viereck Carreau Cuadro Ruta | Remark Vermerk Notes Notes Observ. Anm. | Ref.-Nr Teil-Nr. N° de réf. N° ref. Ref. nr. | Square Viereck Carreau Cuadro Ruta | Remark Vermerk Notes Notes Observ. Anm. |
|---|--|--|---|--|--|--|--|--|
| 501 05 64-01 | C | | 501 53 45-02 | E | | 501 83 18-01 | L | |
| 501 08 17-01 | J | | 501 53 59-01 | L | | 501 83 94-01 | M | |
| 501 19 22-01 | P | | 501 53 60-04 | A | | 501 91 14-01 | P | |
| 501 20 15-02 | K | | 501 53 60-05 | A | | 501 91 58-04 | A | (N) |
| 501 22 03-01 | N | | 501 53 60-08 | A | | 501 91 61-01 | A | |
| 501 22 04-01 | N | | 501 53 62-02 | A | | 502 01 22-01 | N | |
| 501 22 05-01 | N | | 501 53 62-03 | A | | 503 08 54-01 | P | |
| 501 22 08-01 | N | (2) | 501 53 71-01 | M | | 503 08 97-02 | M | |
| 501 22 09-01 | N | (2) | 501 53 79-01 | M | | 503 10 24-02 | K | |
| 501 22 12-01 | N | (2) | 501 54 41-02 | L | | 503 15 12-01 | A | |
| 501 22 13-01 | N | (2) | 501 55 10-01 | M | | 503 17 69-02 | B | |
| 501 22 14-01 | N | | 501 55 14-01 | K | | 503 17 78-01 | R | |
| 501 22 15-01 | N | | 501 55 60-01 | K | | 503 17 81-01 | R | |
| 501 22 17-01 | N | | 501 57 61-01 | N | | 503 20 00-01 | E | |
| 501 22 20-01 | N | | 501 59 41-01 | E | | 503 20 00-04 | E | |
| 501 22 21-01 | N | | 501 59 74-01 | J | | 503 20 00-06 | E | |
| 501 22 22-01 | N | | 501 59 80-02 | L | | 503 20 21-12 | D | |
| 501 22 24-01 | N | | 501 60 02-01 | P | | 503 20 32-01 | B | |
| 501 22 25-01 | N | | 501 60 82-01 | A | | 503 20 80-06 | D | |
| 501 22 30-01 | N | | 501 61 17-01 | A | | 503 21 21-01 | G | |
| 501 26 85-01 | N | | 501 61 52-01 | B | | 503 21 60-01 | C | |
| 501 26 90-01 | N | | 501 62 66-01 | M | | 503 22 00-01 | A | |
| 501 26 97-02 | E | | 501 62 68-01 | M | | 503 22 10-02 | M | |
| 501 27 63-01 | E | | 501 62 87-01 | E | | 503 22 20-03 | C | |
| 501 27 82-01 | E | | 501 62 93-05 | J | (N) | 503 23 00-01 | J, D | |
| 501 28 59-02 | E | | 501 62 96-01 | E | (N) | 503 23 00-08 | M | |
| 501 28 85-01 | L | | 501 65 76-01 | G | | 503 23 00-10 | M | (N) |
| 501 28 92-01 | D | | 501 65 77-01 | G | | 503 23 00-13 | L | |
| 501 29 64-03 | D | (1) | 501 65 77-03 | G | | 503 23 00-16 | L | |
| 501 29 65-01 | M | | 501 65 78-01 | G | | 503 23 00-42 | J | |
| 501 29 68-01 | M | | 501 65 88-02 | C | | 503 23 10-01 | L | |
| 501 42 41-01 | E | | 501 65 88-03 | C | | 503 23 43-02 | K | |
| 501 42 71-01 | N | | 501 67 32-01 | J | | 503 23 51-12 | C | (N) |
| 501 43 00-01 | J | | 501 67 33-02 | P | | 503 26 02-04 | L | |
| 501 43 14-01 | E | | 501 67 35-01 | J | | 503 27 90-03 | M | (N) |
| 501 44 44-01 | R | | 501 67 41-01 | L | | 503 27 90-04 | M | |
| 501 44 45-01 | R | | 501 68 08-01 | E | | 503 28 03-03 | D, N | (N) |
| 501 46 67-01 | N | | 501 68 52-63 | M | | 503 41 14-01 | A | |
| 501 48 09-01 | A | | 501 68 55-71 | C | | 503 44 32-01 | A | |
| 501 48 54-01 | J | | 501 68 59-01 | C | | 503 44 50-01 | M | |
| 501 48 56-01 | J | | 501 68 60-06 | B | | 503 45 42-02 | K | (N) |
| 501 49 48-02 | N | (2) compl. | 501 68 60-08 | B | | 503 45 43-02 | K | (N) |
| 501 51 13-01 | C, H | | 501 68 64-01 | D | | 503 48 63-01 | N | |
| 501 51 19-02 | D | (1) | 501 68 65-01 | C | | 503 49 03-01 | B | |
| 501 51 22-04 | C | (1) | 501 68 74-03 | E | | 503 49 24-01 | D | |
| 501 51 25-01 | L | | 501 68 89-01 | P | | 503 49 69-02 | D | |
| 501 51 31-01 | L | | 501 69 11-01 | N | | 503 53 36-01 | N | (N) |
| 501 51 32-01 | L | | 501 69 17-01 | P | | 503 53 46-71 | R | (N) |
| 501 51 33-01 | L | | 501 69 69-01 | N | | 503 53 58-01 | M | (N) |
| 501 51 34-01 | L | | 501 69 90-08 | E | | 503 56 04-01 | L | (N) |
| 501 51 36-01 | L | | 501 69 94-01 | E | | 503 58 09-07 | N | (N) |
| 501 51 37-01 | L | | 501 69 95-01 | E | | 503 59 95-01 | N | (N) |
| 501 51 38-01 | L | | 501 69 97-01 | E | | 504 35 86-10 | D | |
| 501 51 39-01 | L | | 501 69 98-01 | C | | 504 80 40-00 | B | |
| 501 51 40-01 | L | | 501 76 87-01 | A | | 505 30 36-61 | L | |
| 501 51 48-01 | L | | 501 77 34-01 | E | | 720 12 37-50 | L | |
| 501 51 61-02 | J | | 501 77 35-01 | E | | 720 13 07-10 | M | |
| 501 51 62-01 | J | | 501 77 67-01 | K | | 721 41 65-00 | A | |
| 501 51 72-01 | A, M | | 501 77 68-01 | K | | 721 42 03-25 | L | |
| 501 51 80-01 | E | | 501 77 85-02 | L | | 721 42 09-25 | E | |
| 501 51 81-01 | E | | 501 79 51-01 | J | | 721 42 12-26 | E | |
| 501 51 97-02 | E | | 501 80 24-02 | J | | 721 42 52-50 | A | |
| 501 51 99-01 | L | | 501 80 71-01 | D | | 721 42 53-00 | A | |
| 501 52 04-02 | K | | 501 80 71-02 | D | | 722 14 24-01 | A | |
| 501 52 25-04 | C | (1) | 501 81 43-01 | E | | 723 23 29-85 | K | |
| 501 52 26-05 | - | (1) compl. | 501 81 44-01 | N | | 723 52 24-05 | J | |
| 501 52 43-03 | R | (N) | 501 81 48-01 | M | | 725 52 91-56 | D | |
| 501 52 43-04 | R | | 501 81 56-01 | D | | 725 52 92-06 | J, L | |
| 501 52 49-01 | G | | 501 81 58-01 | N | | 725 52 93-56 | A | |
| 501 52 52-01 | J | | 501 81 59-01 | G | | 725 52 94-06 | J | |
| 501 52 52-02 | J | | 501 81 72-01 | G | | 725 53 27-55 | E, M | |
| 501 52 61-02 | M | | 501 81 99-01 | J | | 725 53 29-56 | J | |
| 501 52 62-01 | M | | 501 82 17-01 | N | | 725 53 31-55 | M | (N) |
| 501 52 66-02 | J | | 501 82 18-01 | N | | 725 53 37-55 | M | |
| 501 52 78-01 | M | | 501 82 32-01 | A | | 725 53 41-55 | M | |
| 501 52 79-01 | M | | 501 82 39-01 | A | | 725 53 47-55 | R | |
| 501 52 81-01 | M | | 501 82 41-01 | A | | 729 22 21-01 | J, M | |
| 501 52 82-01 | J | | 501 82 43-01 | A | | 729 22 75-05 | K, M | |
| 501 52 84-02 | H | | 501 82 44-01 | A | | 729 24 48-05 | K | |
| 501 52 88-01 | E | | 501 83 01-03 | A | | 734 48 48-01 | L | |
| 501 52 95-02 | K | | 501 83 02-01 | A | | 735 31 07-20 | L | |
| 501 53 05-01 | E | | 501 83 10-01 | A | | 735 88 06-00 | H | |
| 501 53 14-01 | R | | 501 83 15-01 | L | | 738 22 02-25 | H | |
| 501 53 18-01 | E | | 501 83 15-02 | L | | 740 42 21-00 | J, L | |
| 501 53 45-01 | J | | 501 83 17-01 | L | | | | |

(1)=501 52 26-05

Set of gaskets
Dichtungssatz
Jeu de joints
Juego de juntas
Packingsatts

(N)= New part

Neues Teil
Nouvelle pièce
Nueva pieza
Ny det.