



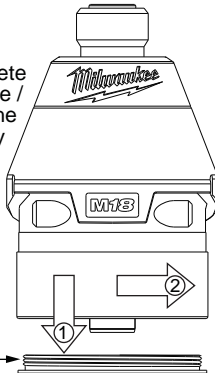
SERVICE PARTS LIST

BULLETIN NO.
54-26-2650

SPECIFY CATALOG NO. AND SERIAL NO. WHEN ORDERING PARTS		REVISED BULLETIN	DATE
M18 FUEL™ 1/4" Hex Impact Driver			Sept. 2013
CATALOG NO.	2653-20	STARTING SERIAL NO.	E42A
		WIRING INSTRUCTION SEE PAGE 2	

IMPORTANT NOTE: Gearcase end cap #25 is LEFT HAND THREAD!

As an aid to assembly, carefully lower the complete front end of tool (gearcase / impacting system) onto the gearcase end cap. Gently hand tighten front end assembly onto gearcase end cap. Be careful not to cross-thread! Once installed by hand, seat gearcase end cap with a good adjustable wrench using light pressure. Do not over tighten!



LEFT HAND THREAD

IMPORTANT NOTICE!

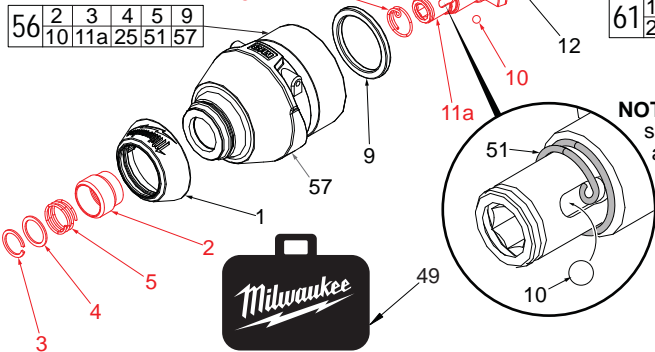
The original design for the Anvil Assembly (and corresponding components) are no longer available. Tools manufactured prior to the serial number E42AD124901722 cannot order individual parts (2, 3, 4, 5, 10, 11a or 51). Hex Anvil Assembly 42-06-0020 must be ordered. For proper servicing in the future, it is recommended that the nameplate be marked with a '*' at the end of the serial number, using an indelible marker to document this upgrade*. Tools manufactured after serial number E42AD124901722 can order all individual anvil parts listed.

*It is recommended to order service nameplate 12-20-2653 to record the new serial number E42AD124901722.

NOTE: Components of the impacting assembly (61) can drop out of the gearcase (57). Care must be taken to hold those elements in place when assembling onto the gearcase end cap (25).

56	2	3	4	5	9
10	11a	25	51	57	

64	2	3	4	5
10	11a	51		



NOTE: Place anvil spring (51) onto anvil (11a) with curled end inserted in slot of anvil as shown. Place ball (10) in anvil slot in front of spring.

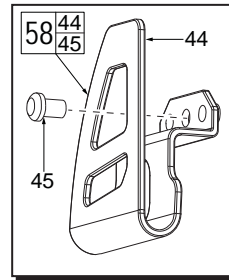
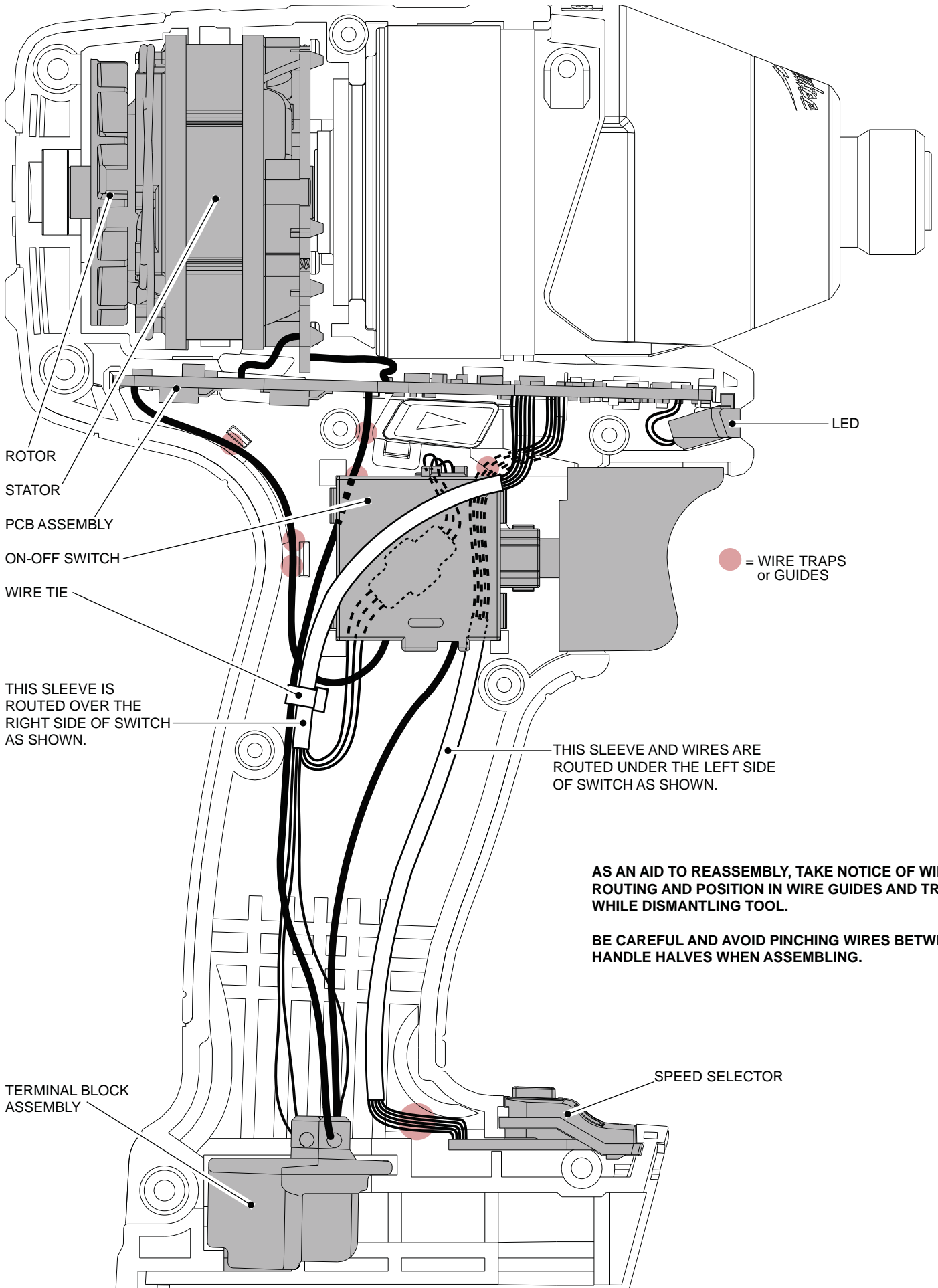


FIG.	PART NO.	DESCRIPTION OF PART	NO. REQ.
1	31-12-2653	Rubber Cap	(1)
2	45-22-0012	Sleeve	(1)
3	34-60-0005	Retaining Ring	(1)
4	45-88-0022	Washer	(1)
5	40-50-0052	Spring	(1)
9	45-88-2653	Plastic Washer	(1)
10	02-02-1100	4.0mm Steel Ball	(1)
11a	-----	1/4" Hex Anvil	(1)
12	02-02-1300	5mm Steel Ball	(1)
19	02-02-0180	4.7mm Steel Ball	(2)
24	-----	Ring Gear	(1)
25	44-66-2653	Gearcase End Cap with Ball Bearing	(1)
27	-----	Stator Assembly	(1)
28	45-30-2653	Rubber Slug	(4)
34	-----	PCBA	(1)
35	23-66-2653	On-Off Switch	(1)
36	-----	Terminal Block Assembly	(1)
37	45-24-2653	Fwd/Rev Shuttle	(1)
38	40-50-1135	Spring	(1)
42	40-50-1090	Spring	(1)
43	-----	Left Handle Halve	(1)
44	-----	Belt Hook	(1)
45	06-82-0130	6-32 x 5/16" Pan Hd. T-15 Machine Scr	(1)
46	06-82-2653	M3.5 x 8mm Pan Hd. Plastite Screw	(2)
47	-----	Right Handle Halve	(1)
48	12-20-2653	Service Nameplate (Not Shown)	(1)
49	42-55-2653	Carrying Case	(1)

FIG.	PART NO.	DESCRIPTION OF PART	NO. REQ.
50	06-82-7236	4-20 x 5/8" Pan Hd. Plastite T-10 Scr	(9)
51	40-50-0018	Anvil Spring	(1)
56	14-30-2653	Gearcase Assembly	(1)
57	28-50-2653	Front Gearcase	(1)
58	42-70-2653	Belt Clip Assembly	(1)
59	16-07-2653	Rotor Assembly	(1)
60	31-44-2653	Handle Assembly	(1)
61	14-30-2655	Impacting Assembly	(1)
62	14-20-2653	Electronics Assembly	(1)
63	45-24-2655	Speed Selector	(1)
64	42-06-0020	1/4" Hex Anvil Assembly	(1)

- FIG. LUBRICATION (Type 'J' Grease, No. 49-08-4220):**
- 10,11a Lightly coat front washer surface of anvil (11a) with grease, place a dab in the ball slot of anvil and in needle bearing inside the anvil.
 - 24,61 Lightly coat the I.D. of the ring gear (24) and the center of the planet gears of impacting assembly with grease.
 - 57 Coat inside of bushing inside front gearcase with grease.
 - 59 Coat pinion of rotor assembly (59) with grease.

EXAMPLE:
Component Parts (Small #)
Are Included When Ordering
The Assembly (Large #).



ROTOR

STATOR

PCB ASSEMBLY

ON-OFF SWITCH

WIRE TIE

THIS SLEEVE IS
ROUTED OVER THE
RIGHT SIDE OF SWITCH
AS SHOWN.

TERMINAL BLOCK
ASSEMBLY

LED

● = WIRE TRAPS
or GUIDES

THIS SLEEVE AND WIRES ARE
ROUTED UNDER THE LEFT SIDE
OF SWITCH AS SHOWN.

**AS AN AID TO REASSEMBLY, TAKE NOTICE OF WIRE
ROUTING AND POSITION IN WIRE GUIDES AND TRAPS
WHILE DISMANTLING TOOL.**

**BE CAREFUL AND AVOID PINCHING WIRES BETWEEN
HANDLE HALVES WHEN ASSEMBLING.**

SPEED SELECTOR