



SERVICE PARTS LIST

BULLETIN NO.
54-40-2602

| | | | |
|--|---------|--|-------------------|
| SPECIFY CATALOG NO. AND SERIAL NO. WHEN ORDERING PARTS | | REVISED BULLETIN 54-40-2601 | DATE Aug. 2014 |
| CORDLESS 18V COMPACT BAND SAW | | WIRING INSTRUCTION SEE PAGES 5, 6, 7 & 8 | |
| CATALOG NO. | 2629-20 | STARTING SERIAL NO. | C14C |

EXAMPLE:
00 0 Component Parts (Small #)
Are Included When Ordering
The Assembly (Large #).

| FIG. | PART NO. | DESCRIPTION OF PART | NO. REQ. |
|------|------------|---------------------------------------|----------|
| 35 | 06-82-5574 | 10-24 x 7/8" Pan Hd. Tapt. T-25 Screw | (7) |
| 36 | 06-82-0035 | M5 Pan Hd. T-20 Screw | (3) |
| 37 | ----- | Deck | (1) |
| 39 | ----- | Brush Card | (1) |
| 48 | 22-56-0150 | Wire Nut (C1 & C2) | (2) |

| | | | |
|-----|------------|---|------|
| 50 | 18-01-3015 | Service Field | (1) |
| 52 | 16-01-3091 | Service Armature | (1) |
| 53 | 05-78-0305 | Switch Screw | (4) |
| 54 | 45-88-1890 | Spring Washer | (4) |
| 55 | 06-82-5320 | 8-32 x 5/8" Pan Hd. Slit. Tapt. T-20 Screw | (3) |
| 56 | 28-28-0060 | Diaphragm | (1) |
| 57 | 02-04-0645 | Ball Bearing | (1) |
| 58 | ----- | 1st Gear | (1) |
| 59 | ----- | Ball Bearing | (1) |
| 60 | ----- | 2nd Bevel Pinion | (1) |
| 61 | ----- | Bevel/Spur Gear | (1) |
| 62 | ----- | Needle Bearing | (2) |
| 63 | ----- | Gearcase | (1) |
| 64 | 02-04-0135 | Ball Bearing | (1) |
| 66 | 45-30-0255 | Rubber Slug | (4) |
| 67 | ----- | 3rd Gear | (1) |
| 68 | ----- | Pulley Shaft | (1) |
| 69 | 43-96-0105 | Key | (1) |
| 70 | 02-04-1525 | Ball Bearing | (1) |
| 71 | 45-88-0406 | Washer | (1) |
| 72 | 28-14-0180 | Bearing Plate Bottom | (1) |
| 73 | 06-82-7261 | 6-19 x 11/16" Pan Hd. Slit. Plast. T-15 Screw | (2) |
| 74 | 06-82-7270 | 8-16 x 5/8" Pan Hd. Slit. Plast. T-20 Screw | (12) |
| 75 | ----- | Handle - Left | (1) |
| 76 | 40-50-0650 | Compression Spring | (1) |
| 77 | ----- | Terminal Block Assembly | (1) |
| 78 | 42-55-0100 | Carrying Case | (1) |
| 79 | 06-82-5294 | 1/4-20 x 3/4" Pan Hd. Tapt. T-30 Screw | (2) |
| 80 | 23-66-1000 | Switch | (1) |
| 81 | 06-82-7251 | 8-16 x 3/8" Pan Hd. Slit. Plast. T-20 Screw | (1) |
| 82 | ----- | Lock-Off Shuttle | (1) |
| 83 | 40-50-0665 | Detent Spring | (1) |
| 84 | 10-20-1865 | LED Label | (1) |
| 85 | ----- | PCB | (1) |
| 86 | ----- | Handle - Right | (1) |
| 87 | 06-82-0045 | 3/8"-16 UNC-3A Hex Recess Screw | (1) |
| 88 | 31-44-0095 | Front T-Handle | (1) |
| 89 | 06-82-5316 | 8-32 x 1/2" Pan Hd. Slit. Tapt. T-20 Screw | (2) |
| 90 | 45-88-0825 | Washer | (2) |
| 91 | ----- | Motor Cover | (1) |
| 92 | ----- | Wire Assembly | (1) |
| 93 | ----- | LED Switch Box | (1) |
| 94 | 31-44-0305 | Handle Kit | (1) |
| 95 | 31-15-0205 | Motor Cover Assembly | (1) |
| 96 | 28-90-0015 | Deck Assembly | (1) |
| 105 | ● | Bevel Pinion Assembly } ORDER AS A SET (1) | |
| 106 | ● | Bevel/Spur Gear Assy. } Cat. No. 32-05-2629 (1) | |
| 107 | 14-73-0040 | Pulley Gear Assembly | (1) |
| 108 | 14-30-0050 | Top Gearcase Assembly | (1) |
| 109 | 45-24-0055 | Shuttle Lock-Off Kit | (1) |
| 110 | 14-20-0025 | Electronics Kit | (1) |
| 113 | 05-88-0928 | M3 x 5mm Pan Hd. T-10 Screw | (2) |
| 114 | 45-88-1980 | Spring washer | (2) |
| 115 | ----- | Leadwire Assembly - Red | (1) |
| 116 | ----- | Leadwire Assembly - Black | (1) |
| 117 | 14-46-2397 | Leadwire/Screw/Washer Kit | (1) |
| 118 | 14-46-2016 | Brush Card Assembly | (1) |

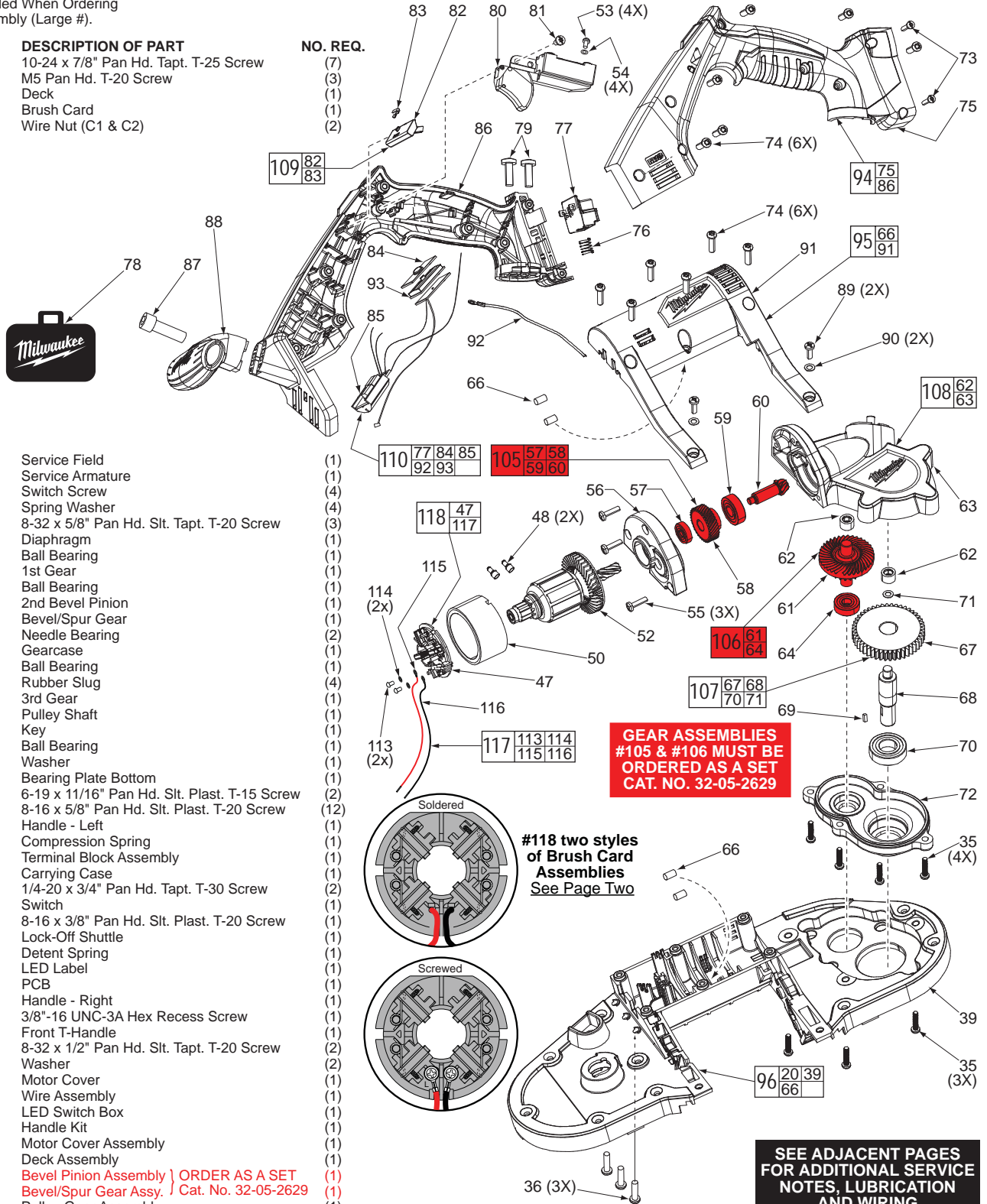
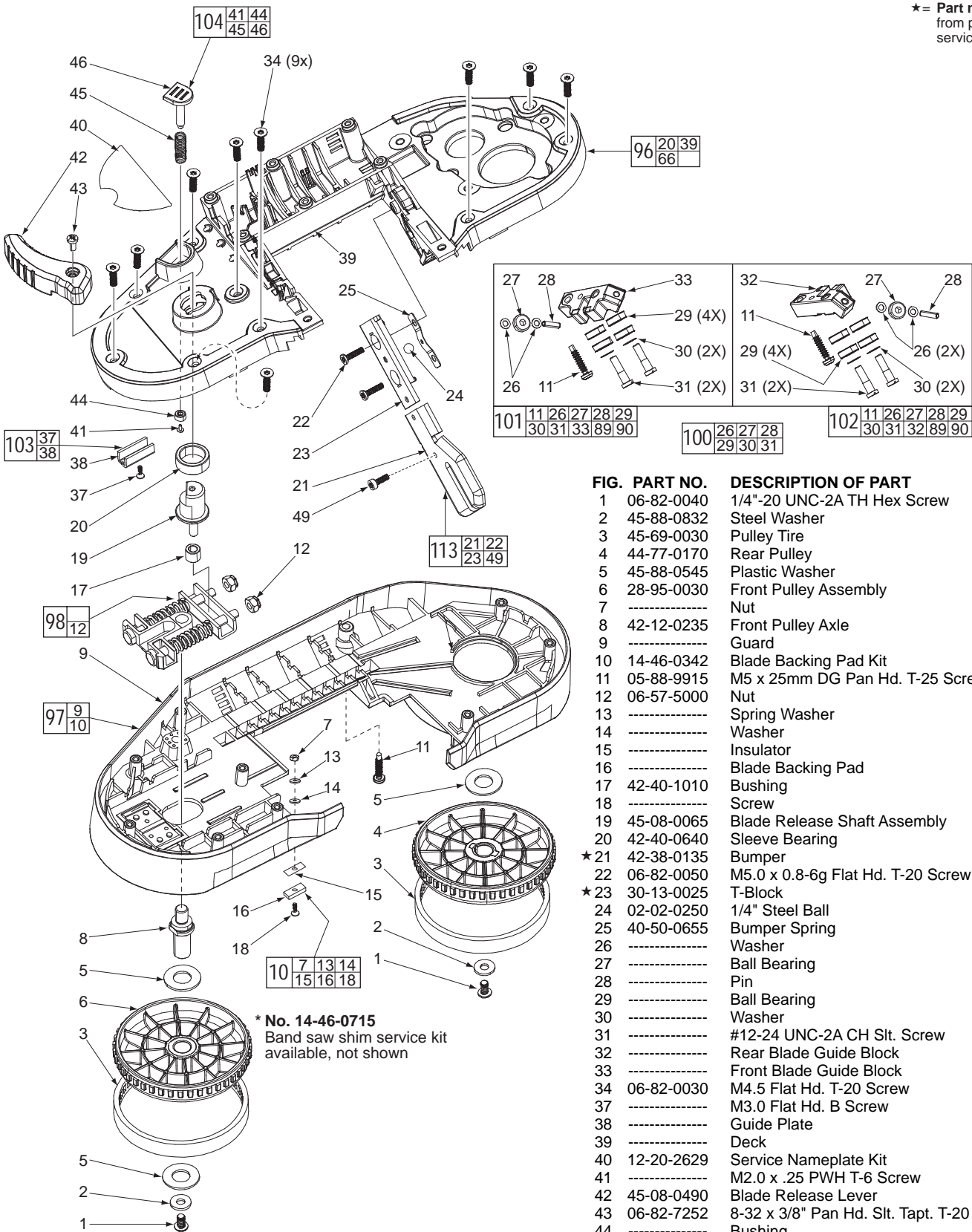


FIG. NOTE:
64,70 Orient the Ball Bearings so the seal faces the gears.

68 Apply approximately .1g Loctite® C5-A Copper Anti-Seize (or equivalent) to bottom portion of Pulley Shaft that fits into Rear Pulley (4).

MILWAUKEE ELECTRIC TOOL CORPORATION
13135 W. LISBON RD., BROOKFIELD, WI 53005
Drwg. 2

*= Part number change from previous service parts list.



| FIG. | PART NO. | DESCRIPTION OF PART | NO. REQ. |
|------|----------|---|----------|
| | 1 | 06-82-0040 1/4"-20 UNC-2A TH Hex Screw | (2) |
| | 2 | 45-88-0832 Steel Washer | (2) |
| | 3 | 45-69-0030 Pulley Tire | (2) |
| | 4 | 44-77-0170 Rear Pulley | (1) |
| | 5 | 45-88-0545 Plastic Washer | (3) |
| | 6 | 28-95-0030 Front Pulley Assembly | (1) |
| | 7 | ----- Nut | (1) |
| | 8 | 42-12-0235 Front Pulley Axle | (1) |
| | 9 | ----- Guard | (1) |
| | 10 | 14-46-0342 Blade Backing Pad Kit | (1) |
| | 11 | 05-88-9915 M5 x 25mm DG Pan Hd. T-25 Screw | (3) |
| | 12 | 06-57-5000 Nut | (2) |
| | 13 | ----- Spring Washer | (1) |
| | 14 | ----- Washer | (1) |
| | 15 | ----- Insulator | (1) |
| | 16 | ----- Blade Backing Pad | (1) |
| | 17 | 42-40-1010 Bushing | (1) |
| | 18 | ----- Screw | (1) |
| | 19 | 45-08-0065 Blade Release Shaft Assembly | (1) |
| | 20 | 42-40-0640 Sleeve Bearing | (1) |
| | ★21 | 42-38-0135 Bumper | (1) |
| | ★22 | 06-82-0050 M5.0 x 0.8-6g Flat Hd. T-20 Screw | (2) |
| | ★23 | 30-13-0025 T-Block | (1) |
| | 24 | 02-02-0250 1/4" Steel Ball | (1) |
| | 25 | 40-50-0655 Bumper Spring | (1) |
| | 26 | ----- Washer | (4) |
| | 27 | ----- Ball Bearing | (2) |
| | 28 | ----- Pin | (2) |
| | 29 | ----- Ball Bearing | (8) |
| | 30 | ----- Washer | (4) |
| | 31 | ----- #12-24 UNC-2A CH Slit. Screw | (4) |
| | 32 | ----- Rear Blade Guide Block | (1) |
| | 33 | ----- Front Blade Guide Block | (1) |
| | 34 | 06-82-0030 M4.5 Flat Hd. T-20 Screw | (9) |
| | 37 | ----- M3.0 Flat Hd. B Screw | (1) |
| | 38 | ----- Guide Plate | (1) |
| | 39 | ----- Deck | (1) |
| | 40 | 12-20-2629 Service Nameplate Kit | (1) |
| | 41 | ----- M2.0 x .25 PWH T-6 Screw | (1) |
| | 42 | 45-08-0490 Blade Release Lever | (1) |
| | 43 | 06-82-7252 8-32 x 3/8" Pan Hd. Slit. Tapt. T-20 Screw | (1) |
| | 44 | ----- Bushing | (1) |
| | 45 | ----- Spring | (1) |
| | 46 | ----- Blade Ejection Pin | (1) |
| | ★49 | 14-74-0275 Bandsaw Fixed Material Guide w/ Screw | (1) |
| | 96 | 28-90-0015 Deck Assembly | (1) |
| | 97 | 28-41-0052 Guard Assembly | (1) |
| | 98 | 42-18-0025 Blade Tension Bar Assembly | (1) |
| | 100 | 14-46-0465 Guide Block Hardware Kit | (1) |
| | 101 | 42-28-0410 Front Guide Block Assembly | (1) |
| | 102 | 42-28-0420 Rear Guide Block Assembly | (1) |
| | 103 | 44-66-0325 Guide Plate Kit | (1) |
| | 104 | 44-60-0240 Blade Ejection Shaft Kit | (1) |
| | ★113 | 42-38-0010 Bumper Assembly | (1) |

FIG. NOTE:

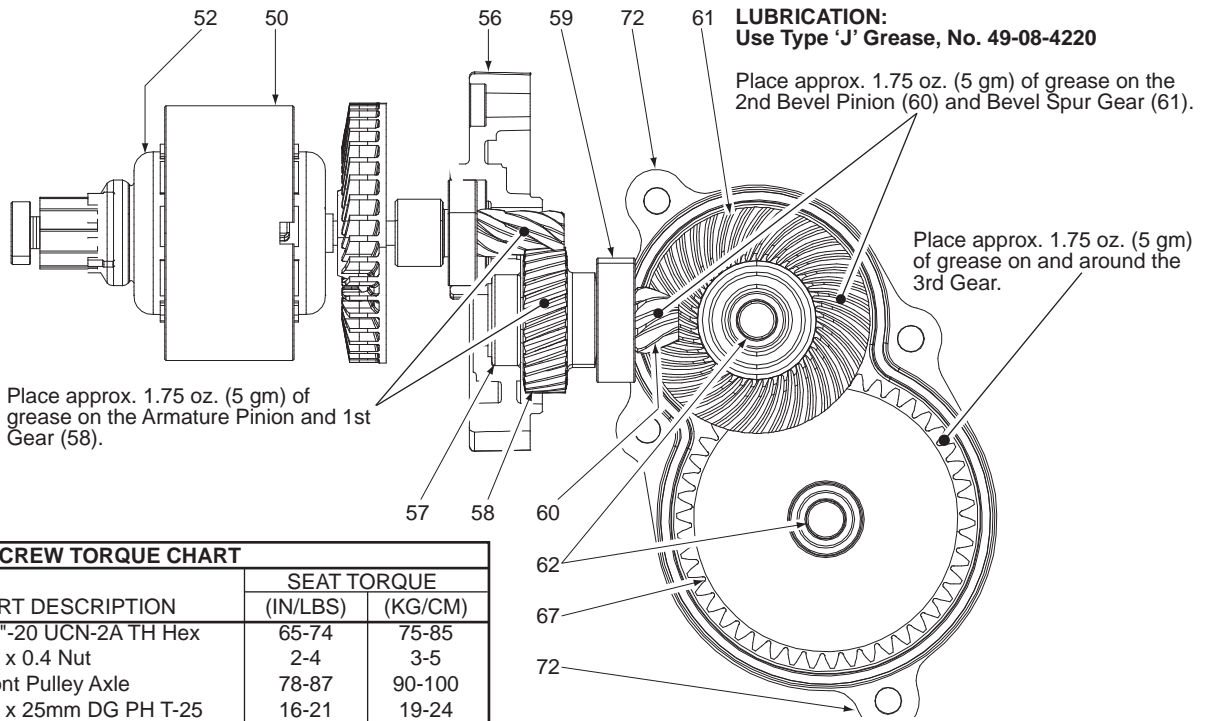
24 Apply Loctite® Silver Grade Anti-Seize Stick 80209 (or equivalent) to Steel Ball.

8 Apply Loctite® Cleaner 755 (or equivalent) to Front Pulley Axle thread first then place a drop or two of Blue Loctite® 443 (or equivalent) to axle threads.

18,41 Apply a drop of Blue Loctite® 443 (or equivalent) to threads of each screw.

9,38 Apply Loctite® C5-A Copper Anti-Seize (or equivalent) to metal insert in Guard and to Guide Plate. Approximately .1g for each part.

* No. 14-46-0715
Band saw shim service kit
available, not shown



| SCREW TORQUE CHART | | | | |
|--------------------|------------|--------------------------|--------------------|---------|
| ITEM | PART NO. | PART DESCRIPTION | SEAT TORQUE | |
| | | | (IN/LBS) | (KG/CM) |
| 1 | 06-82-0040 | 1/4"-20 UCN-2A TH Hex | 65-74 | 75-85 |
| 7 | ----- | M2 x 0.4 Nut | 2-4 | 3-5 |
| 8 | 42-12-0235 | Front Pulley Axle | 78-87 | 90-100 |
| 11 | 05-88-9915 | M5 x 25mm DG PH T-25 | 16-21 | 19-24 |
| 12 | 06-57-5000 | Flex-Loc Nut | To Assembly Length | |
| 18 | ----- | M2 x 0.4 T-6 | 2-4 | 3-5 |
| 22 | 06-82-0050 | M5 x .8-6g FH T-20 | 26-30 | 30-35 |
| 31 | 06-82-0120 | #12-24 UNC-2A CH Slotted | 39-48 | 45-55 |
| 34 | 06-82-0030 | M4.5 FH T-20 | 16-21 | 19-24 |
| 35 | 06-82-5574 | #10-24 x 7/8" PH T-25 | 39-48 | 45-55 |
| 36 | 06-82-0035 | M5.0 PH T-20 | 22-26 | 25-30 |
| 37 | 06-82-0010 | M3 FH B | 6-9 | 7-10 |
| 41 | 06-82-0025 | M2.0 x .25 PWH T-6 | 2-4 | 3-5 |
| 43 | 06-82-7252 | #8-32 x 3/8" PH T-20 | 22-26 | 25-30 |
| 55 | 06-82-5320 | #8-32 x 5/8" PH T-20 | 26-31 | 30-36 |
| 73 | 06-82-7261 | #6-19 x 11/16" PH T-15 | 16-21 | 19-24 |
| 74 | 06-82-7270 | #8-16 x 5/8" PH T-20 | 16-21 | 19-24 |
| 79 | 06-82-5294 | 1/4"-20 UNC-2A PH T-30 | 65-74 | 75-85 |
| 81 | 06-82-7251 | #8-16 x 3/8" PH T-20 | 10-14 | 12-16 |
| 87 | 06-82-0045 | 3/8"-16 UNC-3A T-20 | 87-104 | 100-120 |
| 89 | 06-82-5316 | #8-32 x 1/2" PH T-20 | 16-21 | 19-24 |

