



SERVICE PARTS LIST

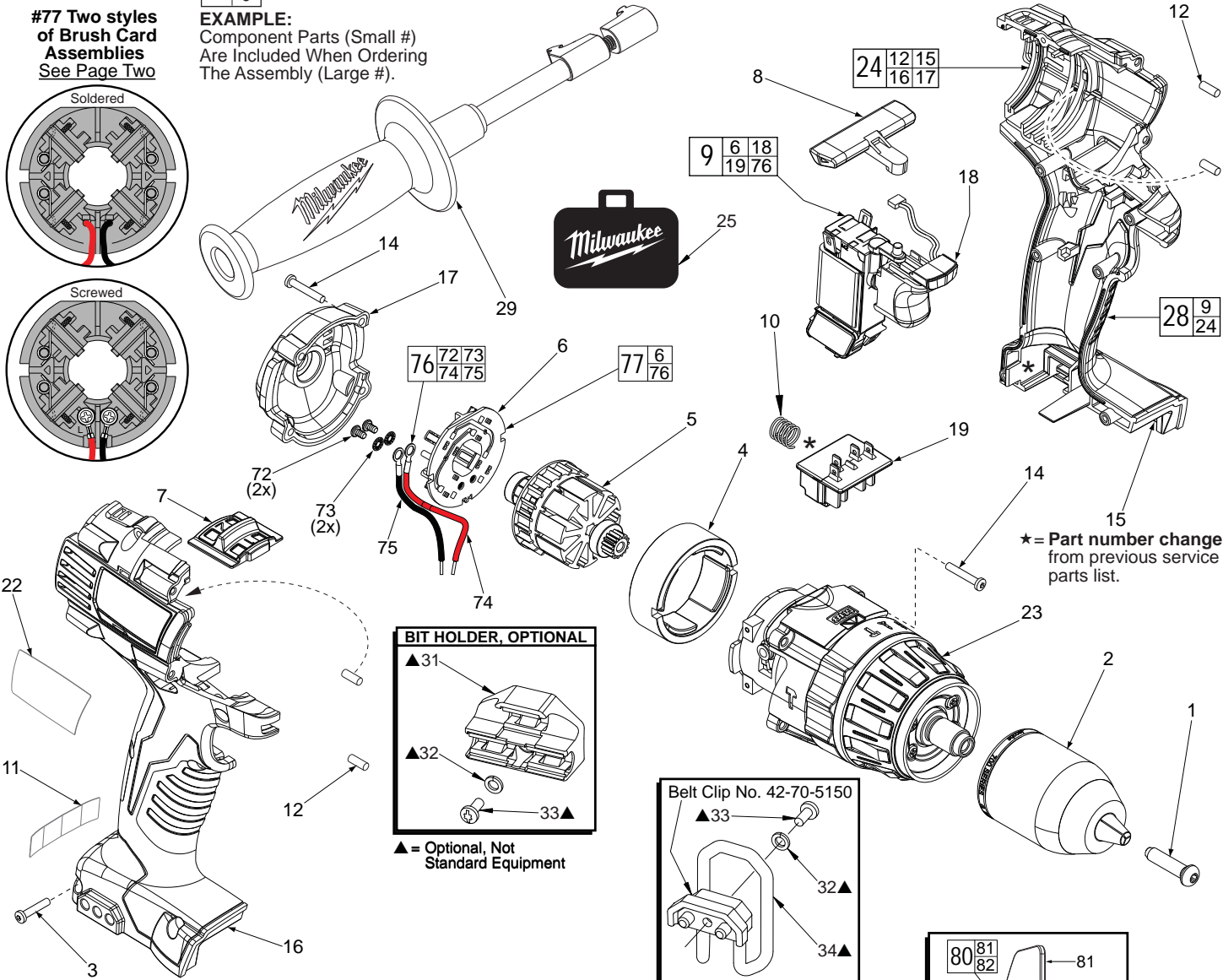
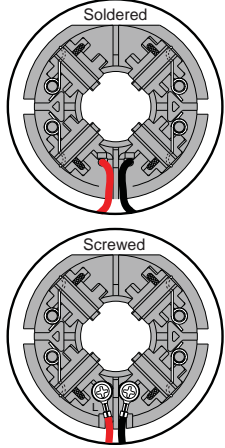
BULLETIN NO.
54-24-2600

| | | | |
|--|---------|---|-----------|
| SPECIFY CATALOG NO. AND SERIAL NO. WHEN ORDERING PARTS | | REVISED BULLETIN | DATE |
| M18 1/2" COMPACT HAMMER-DRILL | | | Aug. 2014 |
| CATALOG NO. | 2602-20 | STARTING SERIAL NO. | C15A |
| | | WIRING INSTRUCTION SEE PAGE 3 | |

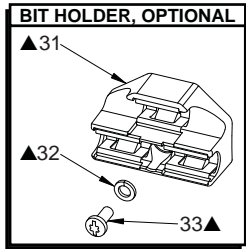
00/0

EXAMPLE:
Component Parts (Small #)
Are Included When Ordering
The Assembly (Large #).

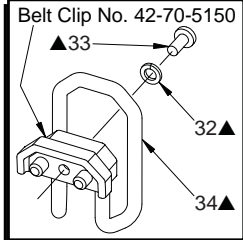
**#77 Two styles
of Brush Card
Assemblies
See Page Two**



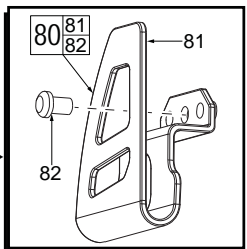
* = Part number change from previous service parts list.



▲ = Optional, Not Standard Equipment



There are 2 belt clip designs for this tool. The initial design, Belt Clip #34, 42-70-5150 is being discontinued and replaced by Belt Clip Assembly #80, 42-70-2653.



| FIG. | PART NO. | DESCRIPTION OF PART | NO. REQ. |
|------|------------|--|----------|
| 1 | 05-88-1500 | M6 x 1.0 LH Chuck Screw w/ locking patch | (1) |
| 2 | 42-66-0785 | 1/2" Keyless Chuck | (1) |
| 3 | 06-82-6350 | M3 x 16 Pan Hd. Plastite T-10 Screw | (7) |
| 4 | 18-01-3016 | Service Field | (1) |
| 5 | 16-01-3015 | Service Armature Assembly | (1) |
| 6 | ----- | Brush Card | (1) |
| 7 | 45-24-0250 | High / Low Shifter | (1) |
| 8 | 42-42-0850 | Forward / Reverse Button | (1) |
| 9 | 23-66-1235 | Service Switch Assembly | (1) |
| 10 | 40-50-1090 | Compression Spring | (1) |
| 11 | 10-20-2695 | Warning Label | (1) |
| 12 | 45-30-0270 | Rubber Slug | (4) |
| 14 | 05-88-0675 | M3.0 x 20mm End Cap/Gearcase Scr T-10 | (8) |
| 15 | ----- | Left Handle | (1) |
| 16 | ----- | Right Handle | (1) |
| 17 | 42-50-1060 | End Cap | (1) |
| 18 | ----- | LED Assembly | (1) |
| 19 | ----- | Terminal Block Assembly | (1) |
| 22 | 12-20-2602 | Service Nameplate Kit | (1) |
| 23 | 14-29-0375 | Service Gearcase Assembly | (1) |
| 24 | 31-44-2635 | Service Housing Kit | (1) |
| 25 | 42-55-2603 | Carrying Case, Optional | (1) |
| 28 | 23-66-1237 | Switch and Housing Kit | (1) |
| 29 | 42-62-0526 | Side Handle Assembly | (1) |

| FIG. | PART NO. | DESCRIPTION OF PART | NO. REQ. |
|------|------------|--|----------|
| 31 | 43-72-0550 | Bit Holder, <i>Optional</i> | (1) |
| 32 | 45-88-1935 | Washer, <i>Optional</i> | (1) |
| 33 | 06-82-5275 | 6-32 x 5/16" Pan Hd. T-15 Screw, <i>Optional</i> | (2) |
| 34 | 42-70-5150 | Belt Hook, <i>Optional</i> | (1) |
| 72 | 05-88-0928 | M3 x 5mm Pan Hd. T10 Screw | (2) |
| 73 | 45-88-1980 | Spring Washer | (2) |
| 74 | ----- | Leadwire Assembly - Red | (1) |
| 75 | ----- | Leadwire Assembly - Black | (1) |
| 76 | 14-46-2399 | Leadwire/Screw/Washer Kit | (1) |
| 77 | 14-46-2012 | Brush Card Assembly | (1) |
| 80 | 42-70-2653 | Belt Clip Assembly | (1) |
| 81 | ----- | Belt Clip | (1) |
| 82 | ----- | Belt Clip Screw | (1) |