



SERVICE PARTS LIST

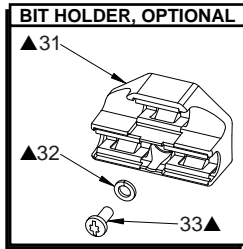
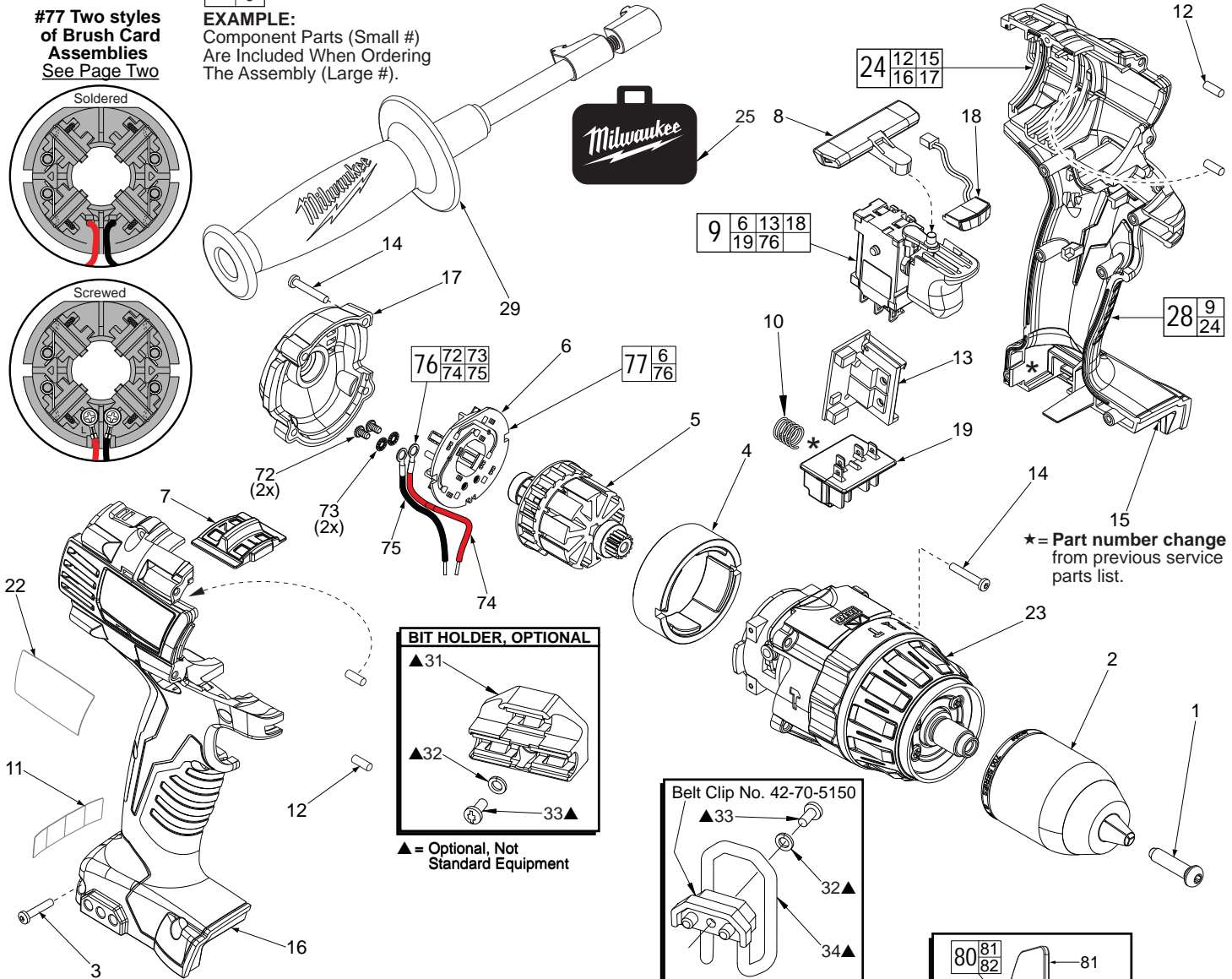
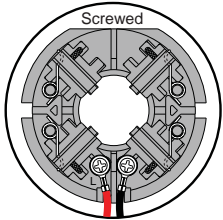
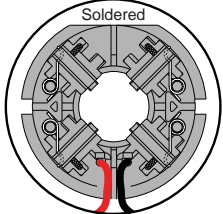
BULLETIN NO.
55-24-2601

SPECIFY CATALOG NO. AND SERIAL NO. WHEN ORDERING PARTS		REVISED BULLETIN 55-24-2600	DATE Aug. 2014
M18 1/2" COMPACT HAMMER-DRILL			
CATALOG NO.	2602-059	STARTING SERIAL NO.	D37B
		WIRING INSTRUCTION SEE PAGE 3	

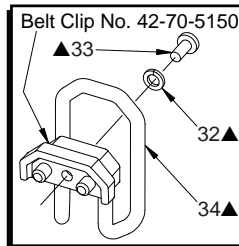
00 0

EXAMPLE:
Component Parts (Small #)
Are Included When Ordering
The Assembly (Large #).

**#77 Two styles
of Brush Card
Assemblies**
See Page Two



▲ = Optional, Not Standard Equipment



There are 2 belt clip designs for this tool. The initial design, Belt Clip #34, 42-70-5150 is being discontinued and replaced by Belt Clip Assembly #80, 42-70-2653.

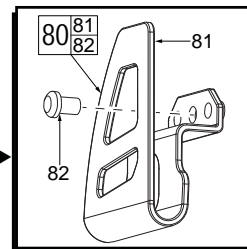


FIG.	PART NO.	DESCRIPTION OF PART	NO. REQ.
	05-88-1500	M6 x 1.0 LH Chuck Screw w/ locking patch	(1)
2	42-66-0785	1/2" Keyless Chuck	(1)
3	06-82-6350	M3 x 16 Pan Hd. Plastite T-10 Screw	(7)
4	18-01-3016	Service Field	(1)
5	16-01-3015	Service Armature Assembly	(1)
6	-----	Brush Card	(1)
7	45-24-0250	High / Low Shifter	(1)
8	42-42-0850	Forward / Reverse Button	(1)
★ 9	23-66-1236	Service Switch Assembly	(1)
10	40-50-1090	Compression Spring	(1)
11	10-20-2695	Warning Label	(1)
12	45-30-0270	Rubber Slug	(4)
★ 13	-----	PCBA	(1)
14	05-88-0675	M3.0 x 20mm End Cap/Gearcase Scr T-10	(8)
15	-----	Left Handle	(1)
16	-----	Right Handle	(1)
17	42-50-1060	End Cap	(1)
18	-----	LED Assembly	(1)
19	-----	Terminal Block Assembly	(1)
22	-----	Service Nameplate Kit	(1)
23	14-29-0376	Service Gearcase Assembly	(1)
24	31-44-2635	Service Housing Kit	(1)
25	42-55-2603	Carrying Case, Optional	(1)
★ 28	23-66-1237	Switch and Housing Kit	(1)
29	42-62-0526	Side Handle Assembly	(1)

FIG.	PART NO.	DESCRIPTION OF PART	NO. REQ.
31	43-72-0550	Bit Holder, <i>Optional</i>	(1)
32	45-88-1935	Washer, <i>Optional</i>	(1)
33	06-82-5275	6-32 x 5/16" Pan Hd. T-15 Screw, <i>Optional</i>	(2)
34	42-70-5150	Belt Hook, <i>Optional</i>	(1)
72	05-88-0928	M3 x 5mm Pan Hd. T10 Screw	(2)
73	45-88-1980	Spring Washer	(2)
74	-----	Leadwire Assembly - Red	(1)
75	-----	Leadwire Assembly - Black	(1)
76	14-46-2399	Leadwire/Screw/Washer Kit	(1)
77	14-46-2012	Brush Card Assembly	(1)
80	42-70-2653	Belt Clip Assembly	(1)
81	-----	Belt Clip	(1)
82	-----	Belt Clip Screw	(1)