



POWER EQUIPMENT CORPORATION

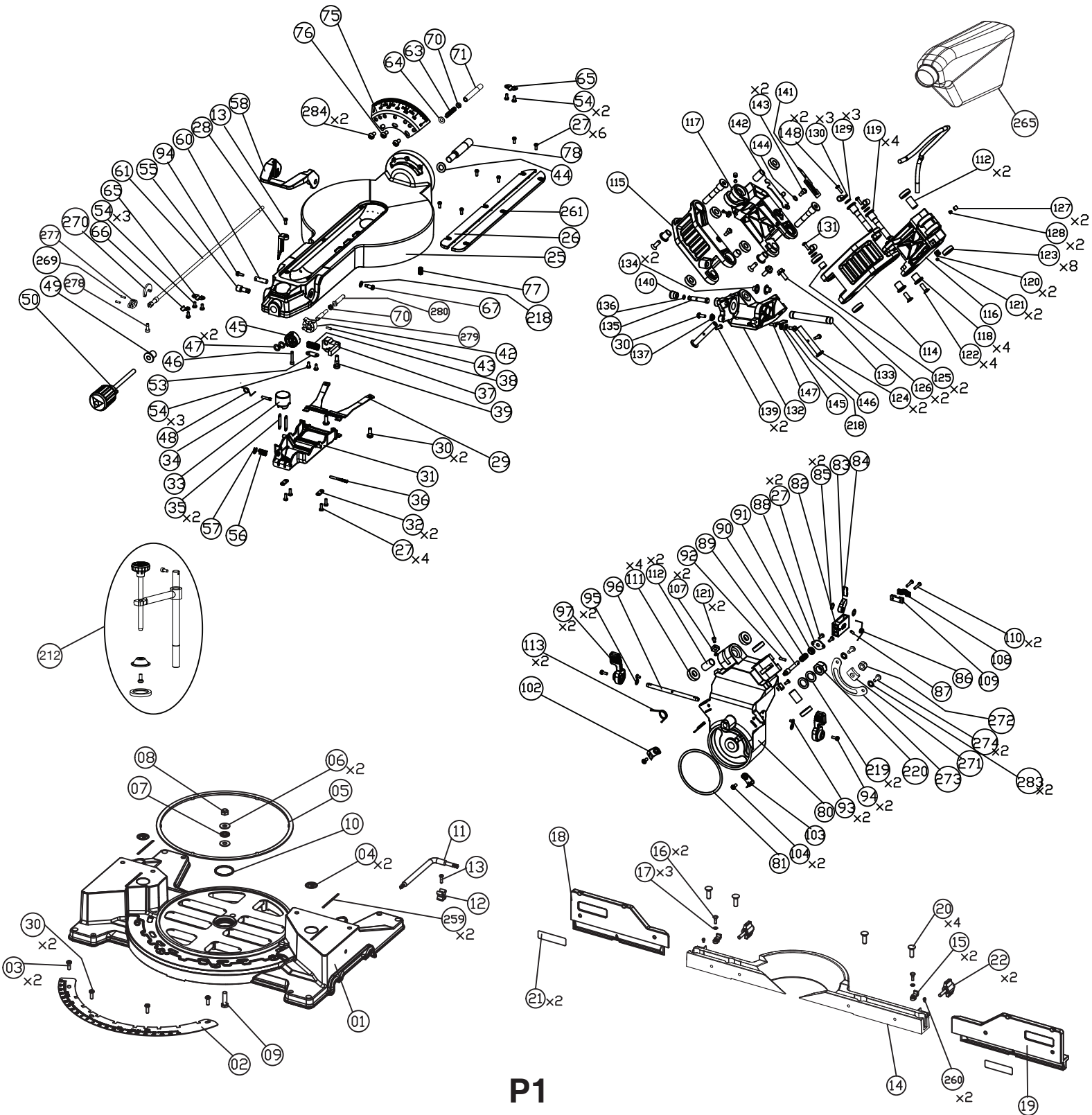
MB-17

PART #: DPEC005085

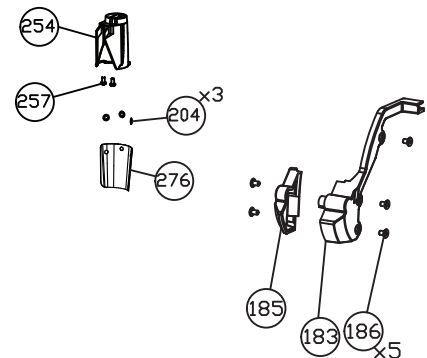
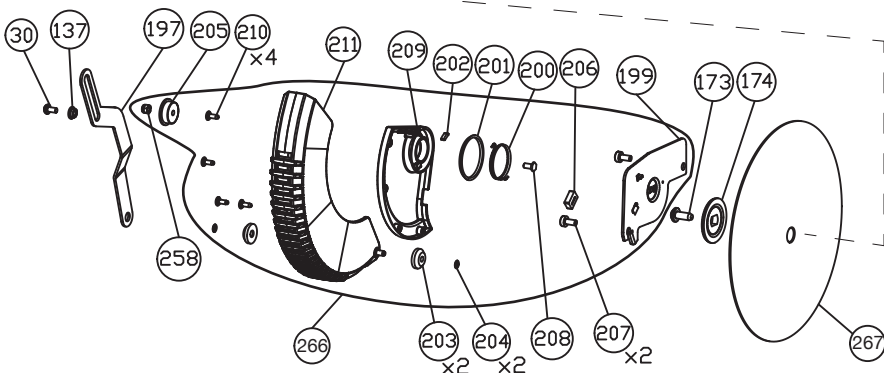
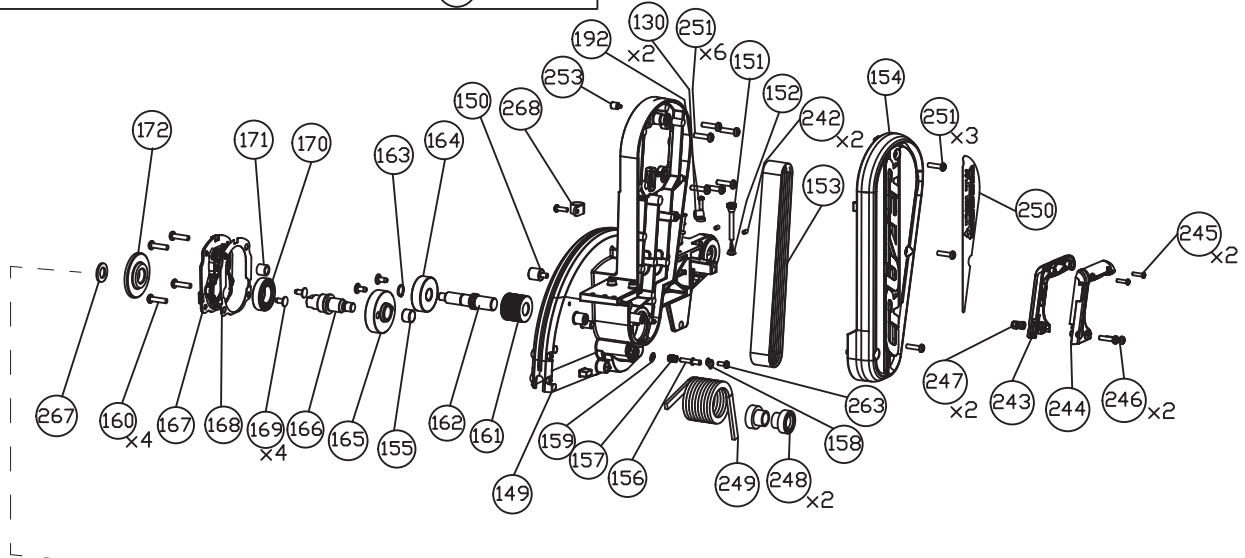
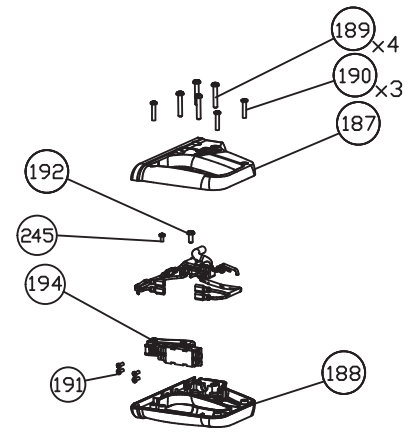
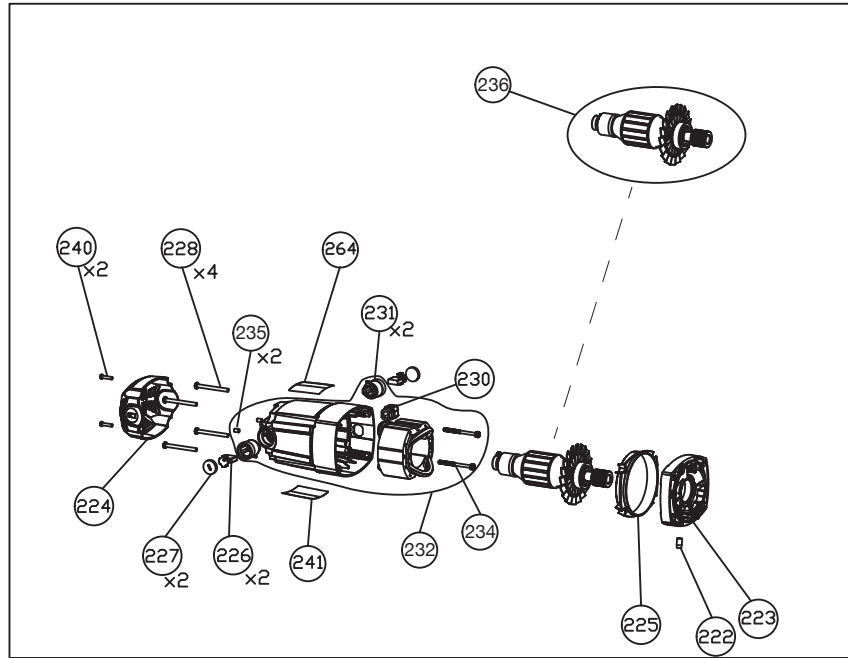
DATE: 08-09-2017

REVISED: 02-14-2018

26-2250 12" Sliding Cruiser Miter Saw



26-2250 12" Sliding Cruiser Miter Saw



REPLACEMENT PARTS

ITEM #	DELTA PART #	DESCRIPTION	QTY	ITEM #	DELTA PART #	DESCRIPTION	QTY
1	DPEC005056	Base	1	67	DPEC004940	Torx Shoulder Screw	1
2	DPEC005057	Miter Scale	1	70	***	Hex Nut M6	2
3	***	Screw T30 M6 X 20	2	71	DPEC005227	Bevel Adjustment Rod (short)	1
4	DPEC004692	No Hands Warning Icon Label	2	75	DPEC004946	Bevel Fixed Plate	1
5	DPEC005058	Wear Ring	1	76	***	Torx Self-Tap Screw M6 X 12	1
6	***	Flat Washer 8.2 X 20 X 1.5t	2	77	***	Set Screw M8 X 15	1
7	DPEC004902	Thrust Bearing	1	78	DPEC004947	Pivot Shaft	1
8	***	Lock Nut M8	1	80	DPEC005258	Pivot Support	1
9	***	Hex Socket Cap Screw M8 X 27.5	1	81	DPEC004950	Pivot Support Plate	1
10	DPEC004903	O-Ring	1	82	DPEC004951	Bevel Cam Holder	1
11	***	Blade Wrench	1	83	DPEC004952	Bevel Cam	1
12	DPEC004904	Wrench Mount Plate	1	84	DPEC004953	Wear Ring	1
13	***	Torx Self-Tap Screw M4 X 16	2	85	***	Flat Washer 9 X 14 X 0.5t	2
14	DPEC005059	Fence	1	86	DPEC004954	Bevel Cam Spring	1
15	DPEC004906	Stop Block	2	87	***	Torx Screw M4 X 13	1
16	DPEC004907	Flat Head Shoulder Screw M4 X 16	2	88	DPEC004955	Bevel Position Shaft Fixed Plate	1
17	***	Wave Washer 5.4 X 9.0 X 3t	3	89	DPEC004956	Bevel Position Shaft	1
18	DPEC005060	Sliding Fence (left)	1	90	DPEC004957	Position Shaft Spring	1
19	DPEC005061	Sliding Fence (right)	1	91	DPEC004958	Sleeve	1
20	***	Flat Head Torx Screw M8 X 25	4	92	DPEC004959	Pin 4 X 14.5	1
21	DPEC004697	Sliding Fence Warning Label	2	93	***	Torx Self-Tap Screw M4 X 6	2
22	DPEC004910	Sliding Fence Knob	2	94	***	Torx Self-Tap Screw M4 X 13 w/ washer	3
23	DPEC004911	Rear Stop Block	1	95	***	Flat Washer 8 X 12 X 1t	2
24	DPEC004912	Torx Shoulder Screw M4 X 20	1	96	DPEC004960	Bevel Cam Shaft	1
25	DPEC005266	Table	1	97	DPEC004961	Bevel Latch Lever	2
26	DPEC005063	Throat Plate (left)	1	102	DPEC004962	Bevel Pointer (left)	1
27	***	Torx Self-Tap Screw M4 X 10	10	103	DPEC004963	Bevel Pointer (right)	1
28	DPEC004916	Miter Pointer	1	104	DPEC004964	Shoulder Screw M5 X 12	2
29	DPEC004917	Fixed Plate	1	107	DPEC004969	Stopper	2
30	***	Torx Self-Tap Screw M6 X 16	6	108	DPEC004232	Wire Clamp	1
31	DPEC005065	Button Pressing Plate	1	109	DPEC004965	Wire Clamp Holder	1
32	DPEC004919	Pressing Plate (small)	2	110	***	Torx Self-Tap Screw M4 X 20	2
33	DPEC004920	Up/Down Knob	1	111	DPEC005070	Ball Bearing	4
34	DPEC004921	Pin 4 X 20	1	112	DPEC005261	Spacer	4
35	DPEC005066	Connection Plate	2	113	DPEC004968	Glide Torsion Spring	2
36	DPEC004923	Knob Pin 4 X 40	1	114	DPEC004970	Front Axial Glide (right)	1
37	DPEC004924	Fixed Holder	1	115	DPEC004971	Front Axial Glide (left)	1
38	DPEC004925	Compression Spring	1	116	DPEC004972	Rear Axial Glide (right)	1
39	DPEC004926	Shoulder Screw	1	117	DPEC004973	Rear Axial Glide (left)	1
42	DPEC004928	Cam (moveable)	1	118	DPEC005259	Fixed Sleeve	4
43	DPEC004929	Spring Pin 4 X 14	1	119	DPEC005260	Fixed Shaft	4
44	***	Flat Washer 12 X 25 X 2t	1	120	DPEC004985	Glide Stopper	2
45	DPEC005068	Cam (fixed)	1	121	***	Torx Screw M4 X 12	4
46	***	Hex Socket Cap Screw M4 X 25	1	122	***	Flat Head Torx Screw M8 X 17.5	4
47	***	Flat Washer 8 X 14 X 0.25t	2	123	DPEC005070	Ball Bearing	8
48	DPEC004931	Miter Torsion Spring	1	124	DPEC005262	Fixed Shaft	2
49	DPEC004932	Copper Sleeve	1	125	DPEC005263	Spacer (short)	2
50	DPEC004933	Miter Fixed Handle	1	126	DPEC004978	Hex Cap Screw M8 X 20 (top M5 X 10)	2
53	DPEC004934	Pressing Plate (large)	1	127	***	Set Screw M8 X 10	2
54	***	Torx Self-Tap Screw M4 X 8	8	128	DPEC004989	Tight Adjust ment Plate	2
55	DPEC004935	Miter Shaft	1	129	***	Flat Washer 5 X 16	2
56	DPEC004936	Compression Spring	1	130	DPEC004623	Clamp	4
57	DPEC004654	E-Ring E-7	2	131	***	Torx Screw M5 X 12	1
58	DPEC004937	Bevel Lock Handle	1	132	DPEC005267	Trunnion	1
60	DPEC005220	Bevel Lock Shaft	1	133	DPEC004980	Glide Rotating Shaft	1
61	DPEC005255	Bevel Adjustment Rod	1	134	DPEC004991	Torsion Plate	2
63	DPEC003526	Compression Spring	1	135	DPEC004983	Arm Stop Pin	1
64	***	Flat Washer 7 X 10 X 1t	1	136	DPEC004984	O-ring P6	1
65	DPEC004943	Pressing Plate	2	137	DPEC004261	Link Arm Sleeve	2
66	DPEC005257	Pressing Plate (small)	1	139	***	Torx Screw M5 X 25	2

***= Item is standard hardware and should be purchased from a local hardware or home improvement store. Colors may vary.

REPLACEMENT PARTS

ITEM #	DELTA PART #	DESCRIPTION	QTY	ITEM #	DELTA PART #	DESCRIPTION	QTY
140	DPEC003102	Glide Stop Pin Cap	1	218	***	Wave Washer 6.2 X 12.5 X 0.7t	1
141	DPEC004787	Slide Position Lock Label	1	219	***	Flat Washer 16 X 25 X 2t	2
142	DPEC005073	Lock Plate	1	220	***	Lock Nut M16	1
143	***	Torx Shoulder Screw M6 X 9.6	2	222	***	Torx Set Screw M8 X 15 X 1.25P T25	1
144	***	Wave Washer 9 X 12.5 X 0.18t	1	223	DPEC005023	Motor Holder	1
145	DPEC004987	Height Adjustment Plate	1	224	DPEC005024	Motor End Cap	1
146	DPEC004988	Shoulder Screw M6 X 10 (8 X 3.5)	1	225	DPEC005025	Fan Casing	1
147	***	Torx Socket Cap Screw M5 X 15	1	226	DPEC003962	Carbon Brush	2
148	***	Torx Screw M5 X 20	2	227	DPEC003961	Carbon Brush Cap	2
149	DPEC005074	Arm	1	228	***	Torx Self-Tap Screw M5 X 55	4
150	DPEC004992	Up Stop Fixed Plate	1	230	DPEC005030	Strain Relief Grommet	1
151	DPEC004993	Height Adjustment Screw	1	231	DPEC004857	Brush Holder	2
152	DPEC004994	Wing Cap	1	232	DPEC005032	Stator Assembly	1
153	DPEC005075	Belt	1	233	DPEC005087	Motor Assembly	1
154	DPEC005076	Belt Housing	1	234	***	Torx Self-Tap Screw M5 X 60	2
155	DPEC003439	Needle Bearing	1	235	***	Fixed Screw M5 X 8	2
156	DPEC004997	Spindle Lock Pin	1	236	DPEC005089	Rotor Assembly	1
157	DPEC004998	Compression Spring	1	240	***	Torx Self-Tap Screw M4 X 18	2
158	DPEC004999	Spindle Lock Pressing Plate	1	241	DPEC004687	Data/Spec Label	1
159	DPEC005000	Felt Pad	1	242	***	Set Screw M6 X 10	2
160	***	Torx Screw M5 X 16	4	243	DPEC005049	Carry Handle (left)	1
161	DPEC005001	Gear Spindle Belt Wheel	1	244	DPEC005050	Carry Handle (right)	1
162	DPEC005002	Gear Spindle	1	245	***	Torx Self-Tap Screw M4.5 X 15	3
163	DPEC005003	C-ring	1	246	***	Torx Screw M6 X 26	2
164	DPEC005004	Ball Bearing	1	247	***	Lock Nut M6	2
165	DPEC005005	Reduction Gear	1	248	DPEC004981	Spring Sleeve	2
166	DPEC005006	Transmisson Shaft	1	249	DPEC005072	Torsion Spring	1
167	DPEC005007	Shaft Cover	1	251	***	Torx Screw M5 X 20	9
168	DPEC005008	Spacer	1	253	DPEC005048	Torx Screw M5 X 8	1
169	DPEC005009	Shoulder Screw	4	254	DPEC005228	Dust Chute	1
170	DPEC005010	Ball Bearing	1	257	***	Torx Screw M5 X 10	2
171	DPEC004039	Needle Bearing	1	258	***	Lock Nut M6	1
172	DPEC005011	Inner Blade Flange	1	259	DPEC004691	Boundary Line Warning Label	2
173	DPEC005012	Blade Nut	1	260	***	Hex Socket Cap Screw M3 X 4	2
174	DPEC005013	Outer Blade Flange	1	261	DPEC005064	Throat Plate (right)	1
183	DPEC005078	Laser Cover (right)	1	263	***	Torx Screw M4 X 12	1
185	DPEC005079	Laser Cover (left)	1	264	DPEC004689	Main Warning Label English	1
186	***	Flat Head Self-Tap Screw M4 X 8	5	265	DPEC005051	Dust Bag	1
187	DPEC005016	Upper Handle	1	266	DPEC005096	Blade Guard Assembly	1
188	DPEC005017	Lower Handle	1	267	DPEC005095	12" Blade	1
189	***	Torx Self-Tap Screw M5 X 30	4	268	DPEC004834	Clamp	1
190	***	Torx Self-Tap Screw M4.5 X 22	3	269	DPEC005218	Pin 3 X 10	2
191	***	Round Head Torx Screw M3.5 X 7	4	270	DPEC005219	Bevel Link	1
192	***	Torx Self-Tap Screw M5 X 12	3	271	DPEC005223	Bevel Fixed Plate	1
194	DPEC005018	Switch	1	272	***	Lock Nut M10	1
197	DPEC005080	Link Arm	1	273	DPEC0005224	Bevel Fixture Plate	1
199	DPEC005081	Rotating Cover	1	274	***	Torx Screw M6 X 16	2
200	DPEC005021	Tension Spring	1	276	DPEC005229	Dust Chute Extension	1
201	DPEC005033	Wear Ring	1	277	DPEC005216	Cam	1
202	DPEC005034	Dust Sponge	1	278	DPEC005217	Hex Socket Shoulder Screw M5 X 14	1
203	DPEC005035	Rotation Wheel	2	279	DPEC005253	Miter Fixed Shaft	1
204	DPEC003587	Retaining Ring D4.8	3	280	DPEC005268	Front Rod	1
205	DPEC005036	Sleeve	1	283	***	Spring Washer M6	2
206	DPEC005082	Cushion	1	284	DPEC005256	Torx Shoulder Screw M6 X 13	2
207	***	Torx Screw M6 X 16	2	n/a	DPEC004690	Main Warning Label FR/SP	1
208	***	Hex Head Screw M6 X 12.5	1	n/a	DPEC002891	Lower Guard Warning Label	1
209	DPEC005084	Guard Plate	1	n/a	DPEC004695	Pinch Point Icon Label	2
210	DPEC005038	Guard Plate Screw M5 X 13.5	4	n/a	DPEC002886	Blade Screw Direction Label	1
211	DPEC005083	Blade Guard	1				
212	DPEC005265	Clamp Assembly	1				

***= Item is standard hardware and should be purchased from a local hardware or home improvement store. Colors may vary.