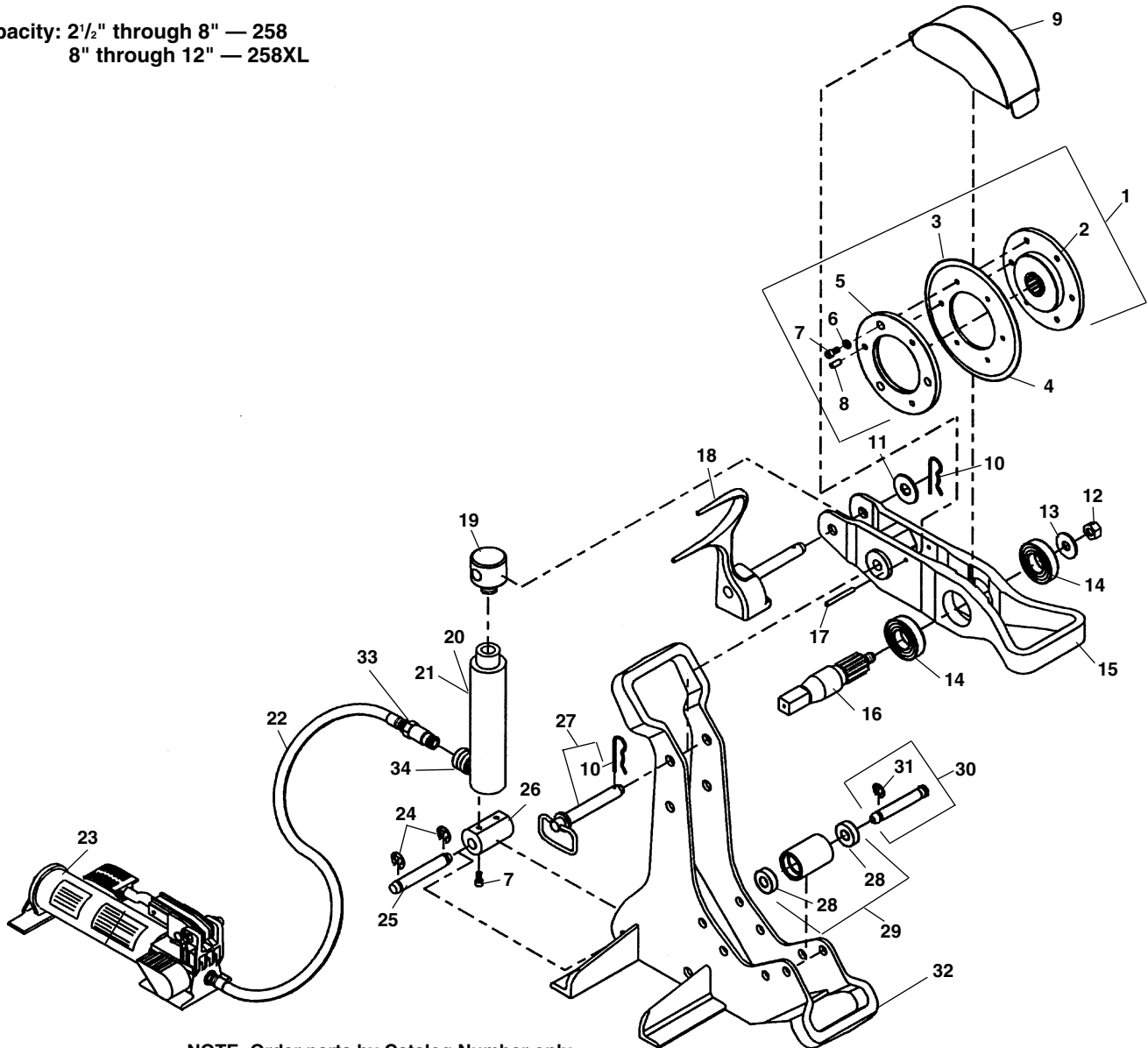


**Frame**

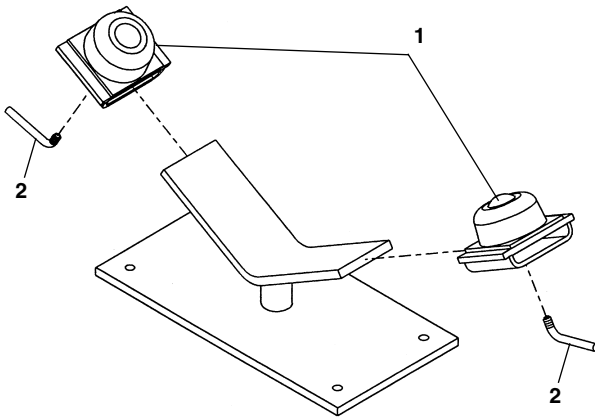
Capacity: 2½" through 8" — 258  
8" through 12" — 258XL



**NOTE: Order parts by Catalog Number only.  
DO NOT order by Reference Number.**

Ref. No.	Catalog No.	Description	Ref. No.	Catalog No.	Description
—	50767	258 Pipe Cutter	18	50882	Reaction Arm (258)
—	58227	258XL Pipe Cutter	18	58887	Reaction Arm (258XL)
1	66687	Cutter Wheel Assy. Std.	19	50877	Top Clevis
		Includes Ref. Nos. 2,3,5,6,7,8	20	59517	10 Ton Hyd. Cylinder
2	50782	Hub w/Pins	21	62557	Repair Kit f/Cylinder
3	50812	Cutter Wheel Std.	22	59507	Hydraulic Hose
4	58222	Cutter Wheel – Thin	23	59512	HF-32 Foot Pump Incl. Ref. No. 22
5	50792	Cover Plate	24	58850	E-Clip (2)
6	40770	Lock Washer 5/16" (5)	25	54327	Bottom Clevis Pin
7	50997	Screw 3/16" x 3/4" (5)	26	50867	Bottom Clevis
8	50787	Pins (3)	27	50847	Hitch Pin w/Hairpin (258 Only)
9	50777	Guard	28	44565	Ball Bearing (8)
10	50852	Hairpin Cotter (2)	29	50837	Roller
11	60995	Flat Washer 3/4" (258XL Only)	30	54887	Roller Pin (4)
12	50797	Locking Nut	31	42580	E-Clips (8)
13	41220	Flat Washer 5/8"	32	50842	Frame (258)
14	50802	Ball Bearing (2)		58882	Frame (258XL)
15	50807	Pivot Arm	33	62552	Hose Half Coupler
16	50827	Drive Shaft	34	62547	Ram Half Coupler
17	27052	Roll Pin 1/4" x 2 5/8"			

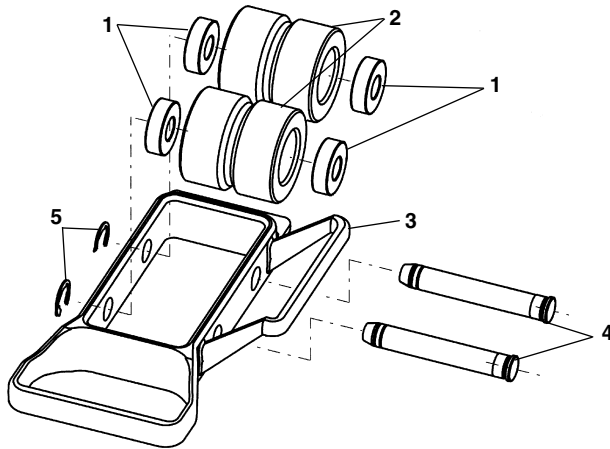
### Pipe Support Assembly



**NOTE: Order parts by Catalog Number only. DO NOT order by Reference Number.**

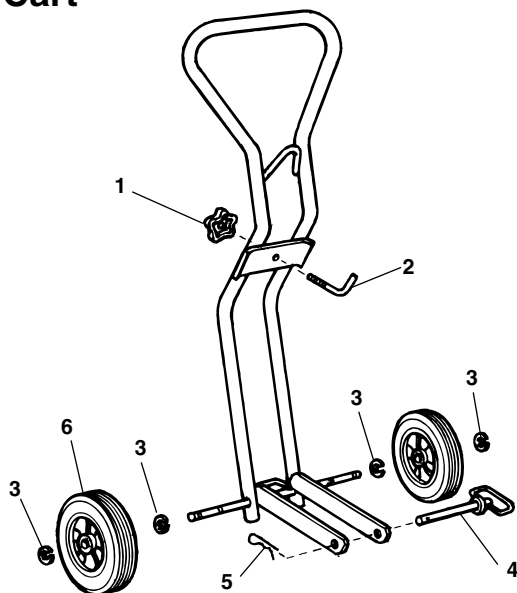
Ref. No.	Catalog No.	Description
—	60002	Pipe Support Assembly
1	60007	Ball Transfer Head Set (Includes Ref. No. 2)
2	60012	Locking Rod

### Pipe Roller Attachment



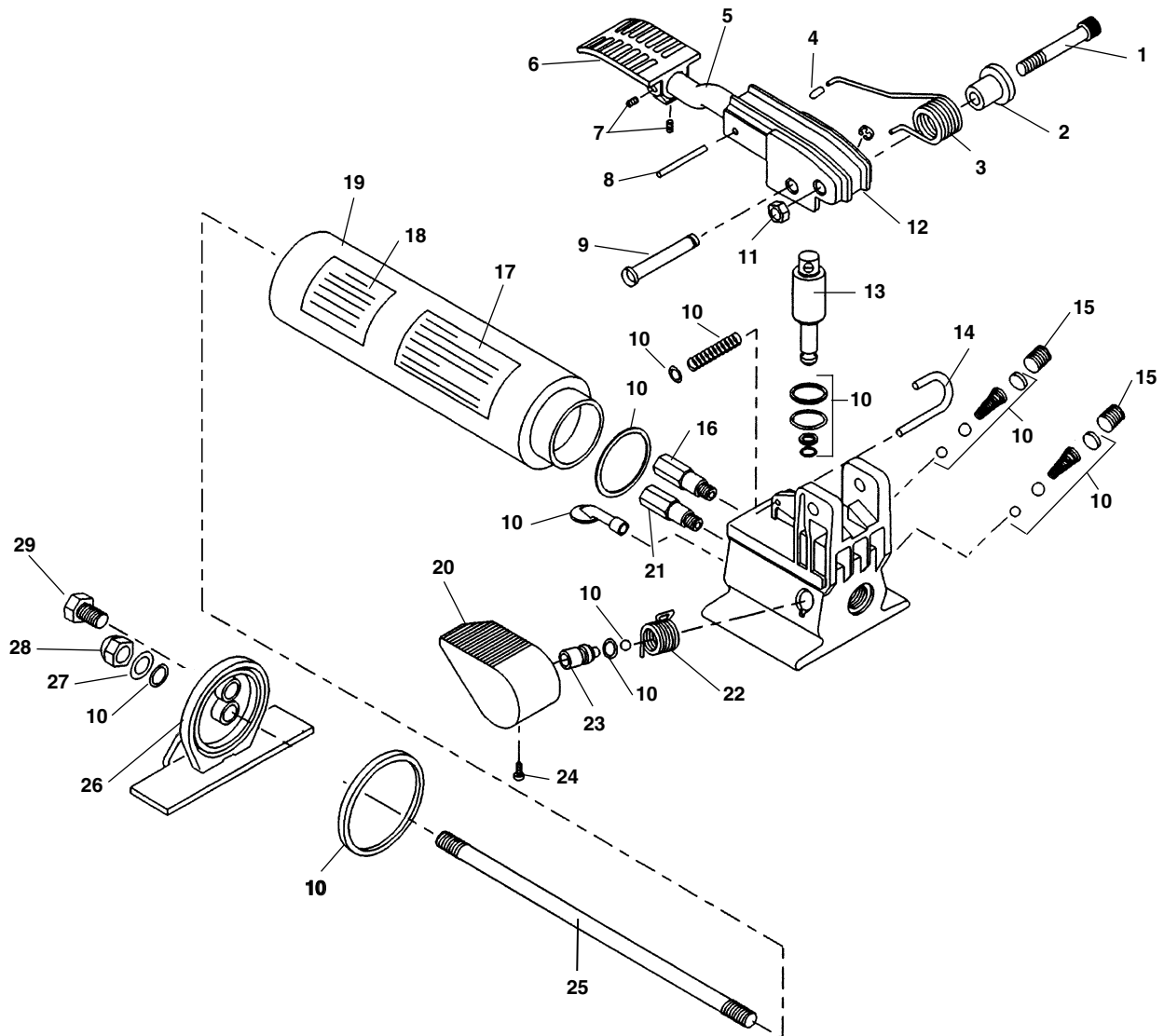
Ref. No.	Catalog No.	Description
—	61757	Pipe Roller Attachment
1	44565	Ball Bearing (4)
2	62447	Roller (2)
3	62452	Frame – Pipe Roller
4	54887	Roller Pin w/Clip (2)
5	42580	Pkg. of 5 E-Clips

### Transport Cart



Ref. No.	Catalog No.	Description
—	54397	Transport Cart
1	54897	Knob
2	62642	Latch Bolt
3	42580	Pkg. of 5 E-Clips
4	50847	Hitch Pin w/Hairpin
5	50852	Hairpin Cotter
6	93325	Wheel (2)

**Hydraulic Foot Pump, HF 32**



**NOTE: Order parts by Catalog Number only.  
DO NOT order by Reference Number.**

Ref. No.	Catalog No.	Description	Ref. No.	Catalog No.	Description
—	59512	HF32 Foot Pump	15	63742	Pipe Plug
1	63767	Socket Head Capscrew	16	63752	By-Pass Valve
2	63777	Spacer	17	62572	Decal, HF32 Instruction
3	63772	Torsion Spring	18	62567	Decal, HF32/Logo
4	63787	Cap	19	63687	Reservoir
5	63802	Foot Pedal Shaft	20	63727	Release Foot Pedal
6	63792	Pedal	21	63757	Relief Valve Assembly
7	63797	Pkg. of 2 Set Screw	22	63722	Release Spring
8	63807	Pin	23	63737	Valve Spindle
9	63762	Cross Pin w/Ret. Ring	24	63732	Screw
10	63657	HF32 Repair Kit	25	63692	Tie Rod
11	63782	Hex Nut	26	63702	Reservoir Support
12	63812	Foot Pedal	27	63717	Pkg. of 2 Washers
13	63817	Plunger Assembly	28	63707	Acorn Nut
14	63747	Locking Pin	29	63712	Plug

