



# SERVICE PARTS LIST

**BULLETIN NO.**  
**54-07-2570**

| SPECIFY CATALOG NO. AND SERIAL NO. WHEN ORDERING PARTS |                |                      |             | REVISED BULLETIN   | DATE      |
|--|----------------|----------------------|-------------|--------------------|-----------|
| <b>M12™ DRAIN SNAKE</b>                                |                |                      |             |                    | June 2019 |
| <b>CATALOG NO.</b>                                     | <b>2571-20</b> | <b>SERIAL NUMBER</b> | <b>H23A</b> | WIRING INSTRUCTION |           |

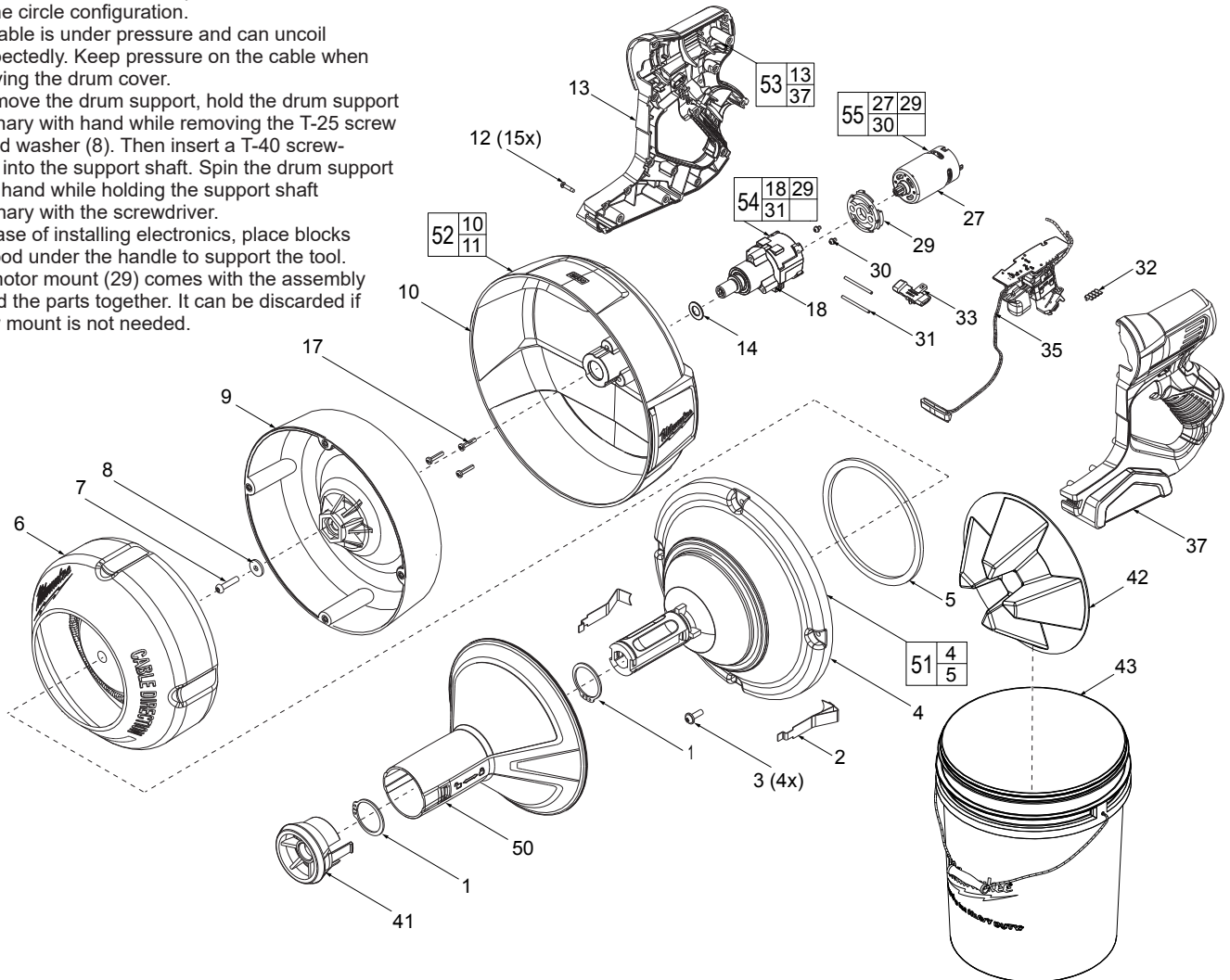
**EXAMPLE:**  

|    |   |
|----|---|
| 00 | 0 |
|----|---|

 Component Parts (Small #) Are Included  
 When Ordering The Assembly (Large #).

**FIG. NOTES**

- 5 The gasket comes as a strip and has to be formed into the circle configuration.
- 6 The cable is under pressure and can uncoil unexpectedly. Keep pressure on the cable when removing the drum cover.
- 9 To remove the drum support, hold the drum support stationary with hand while removing the T-25 screw (7) and washer (8). Then insert a T-40 screwdriver into the support shaft. Spin the drum support off by hand while holding the support shaft stationary with the screwdriver.
- 35 For ease of installing electronics, place blocks of wood under the handle to support the tool.
- 54 The motor mount (29) comes with the assembly to hold the parts together. It can be discarded if a new mount is not needed.



| FIG. | PART NO.   | DESCRIPTION OF PART                         | NO. REQ. |
|------|------------|---|----------|
| 1    | 44-90-0265 | C-Ring                                      | (2)      |
| 2    | 42-36-0240 | Spring Plate                                | (2)      |
| 3    | 05-81-0060 | M5 x 0.8 Pan Hd. Philips Screw              | (4)      |
| 4    | -----      | Drum Cover                                  | (1)      |
| 5    | 43-44-0045 | Foam Gasket                                 | (1)      |
| 6    | 43-11-0085 | Inner Drum (Drum Only)                      | (1)      |
| 7    | 05-74-0115 | M5 x 0.8 Pan Hd. T-25 Screw (Left Hand)     | (1)      |
| 8    | 45-88-2045 | Washer                                      | (1)      |
| 9    | 14-46-2571 | Drum Support Kit                            | (1)      |
| 10   | -----      | Drum Shroud                                 | (1)      |
| 11   | 12-20-2570 | Service Nameplate (Not Shown)               | (1)      |
| 12   | 06-82-1080 | M3 x 14 ST Housing Screw                    | (15)     |
| 13   | -----      | Right Handle                                | (1)      |
| 14   | 45-88-2055 | Washer                                      | (1)      |
| 17   | 06-82-7261 | 6-19 x .687 Pan Hd. Slit. Plast. T-15 Screw | (3)      |
| 18   | -----      | Gear Case Assy.                             | (1)      |
| 27   | -----      | Motor                                       | (1)      |
| 29   | -----      | Motor Mount Plate                           | (1)      |
| 30   | -----      | M3 x 0.5 T-10 Screw                         | (2)      |
| 31   | 06-65-0502 | M2.5 x 37mm Steel Pin                       | (2)      |
| 32   | 22-09-0120 | Fuel Gauge Lens                             | (1)      |
| 33   | 42-42-0360 | Forward/Reverse/Lock Off Shuttle            | (1)      |
| 35   | 14-20-2005 | Electronics Assy.                           | (1)      |

| FIG. | PART NO.   | DESCRIPTION OF PART                               | NO. REQ. |
|------|------------|---|----------|
| 37   | -----      | Left Handle w/ Fuel Gauge Label                   | (1)      |
| 41   | 31-15-0395 | Front Handle Cover                                | (1)      |
| 42   | 31-42-0015 | Bucket Insert                                     | (1)      |
| 43   | 42-51-0010 | Bucket  | (1)      |
| 50   | 43-54-0205 | Front Handle Assy. w/ Bushing and Retaining Rings | (1)      |
| 51   | 31-15-0415 | Drum Cover Assy.                                  | (1)      |
| 52   | 31-55-0010 | Drum Shroud Assy.                                 | (1)      |
| 53   | 31-44-1045 | Handle Assy.                                      | (1)      |
| 54   | 14-30-1015 | Gear Case Assy.                                   | (1)      |
| 55   | 14-50-0010 | Motor Assy.                                       | (1)      |
|      | 48-53-2571 | 5/16" x 25' Bulb Cable                            | (1)      |
|      | 48-53-2572 | 5/16" x 25' Drop Head Cable                       | (1)      |
|      | 48-53-2573 | 1/4" x 25' Bulb Cable                             | (1)      |
|      | 48-53-2574 | 1/4" x 25' Drop Head Cable                        | (1)      |
|      | 48-53-2581 | Inner Drum w/ 5/16" x 25' Bulb Cable Assy.        | (1)      |
|      | 48-53-2582 | Inner Drum w/ 5/16" x 25' Drop Head Cable Assy.   | (1)      |
|      | 48-53-2583 | Inner Drum w/ 1/4" x 25' Bulb Cable Assy.         | (1)      |
|      | 48-53-2584 | Inner Drum w/ 1/4" x 25' Drop Head Cable Assy.    | (1)      |

**MILWAUKEE ELECTRIC TOOL CORPORATION**  
 13135 W. LISBON RD., BROOKFIELD, WI 53005  
 Drwg. 3