



SERVICE PARTS LIST

BULLETIN NO.
54-26-2540

SPECIFY CATALOG NO. AND SERIAL NO. WHEN ORDERING PARTS		REVISED BULLETIN	DATE
M12™ FUEL™ 1/2" Right Angle Impact Wrench w/ Detent Pin			Jan. 2020
CATALOG NO.	2565P-20	STARTING SERIAL	L20A
			WIRING INSTRUCTION See Page 2

EXAMPLE:

00	0
----	---

 Component Parts (Small #)
 Are Included When Ordering
 The Assembly (Large #).

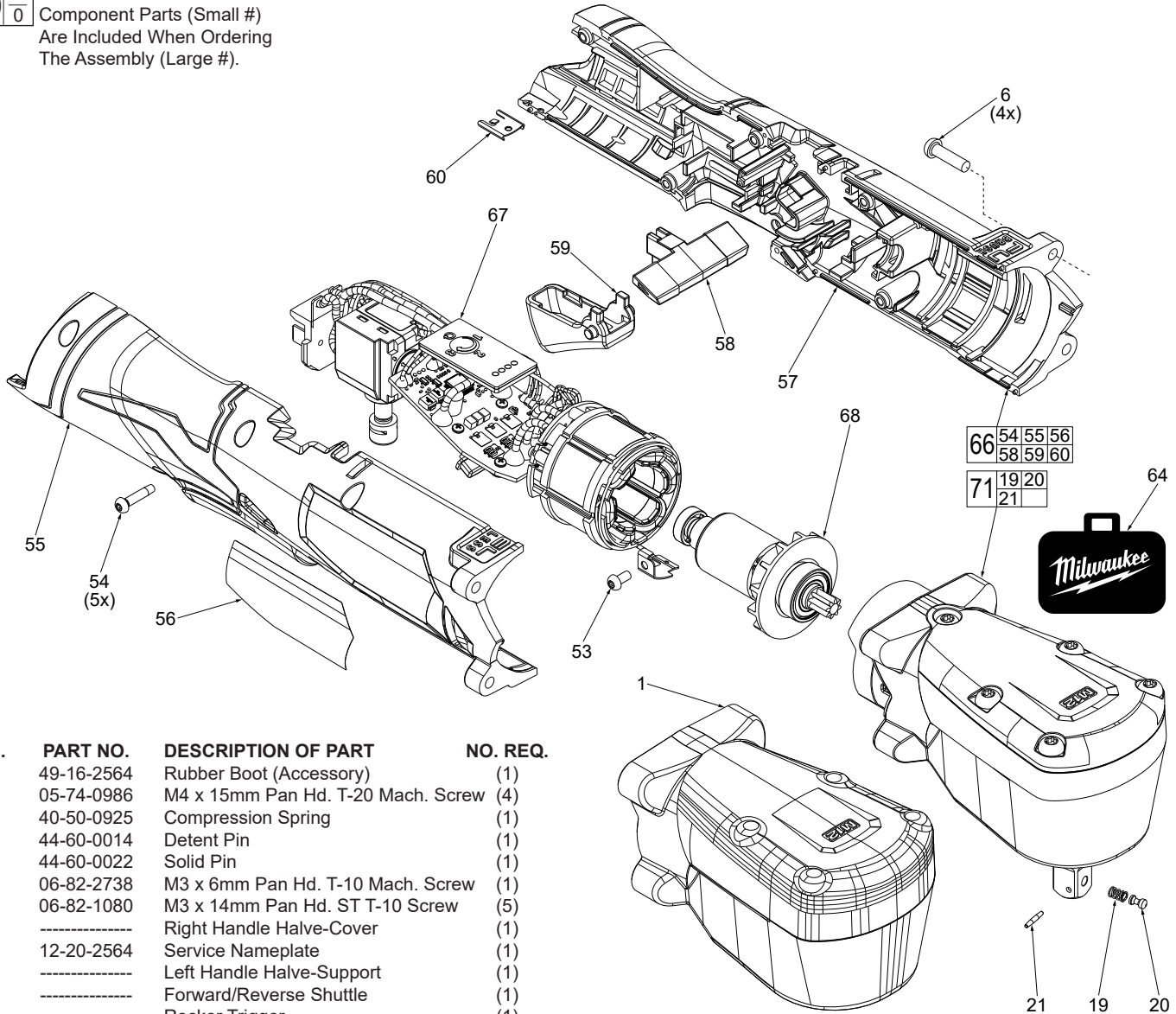
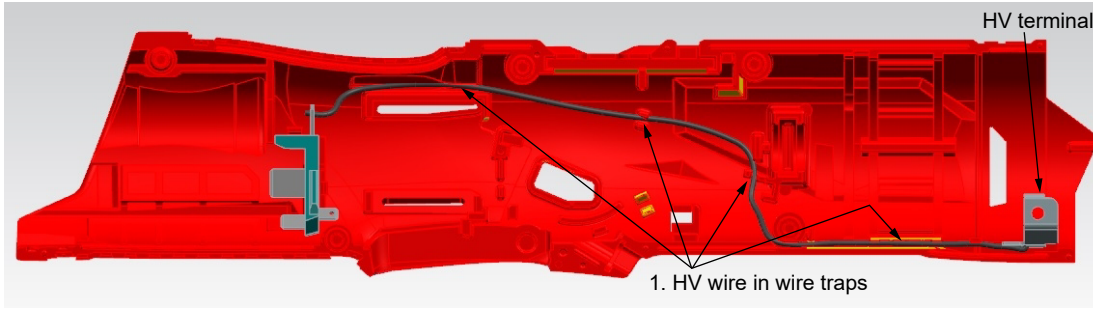


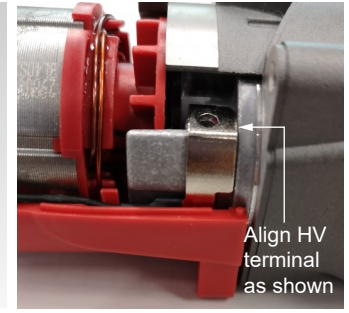
FIG.	PART NO.	DESCRIPTION OF PART	NO. REQ.
1	49-16-2564	Rubber Boot (Accessory)	(1)
6	05-74-0986	M4 x 15mm Pan Hd. T-20 Mach. Screw	(4)
19	40-50-0925	Compression Spring	(1)
20	44-60-0014	Detent Pin	(1)
21	44-60-0022	Solid Pin	(1)
53	06-82-2738	M3 x 6mm Pan Hd. T-10 Mach. Screw	(1)
54	06-82-1080	M3 x 14mm Pan Hd. ST T-10 Screw	(5)
55	-----	Right Handle Half-Cover	(1)
56	12-20-2564	Service Nameplate	(1)
57	-----	Left Handle Half-Support	(1)
58	-----	Forward/Reverse Shuttle	(1)
59	-----	Rocker Trigger	(1)
60	42-70-0058	Housing Connection Clip	(1)
64	42-55-2560	Tool Bag	(1)
66	31-44-2564	Handle Assembly	(1)
67	14-20-2564	Electronics Assembly	(1)
68	16-01-2564	Rotor Assembly	(1)
71	14-30-2566	Gearcase Assembly-1/2" Anvil w/ Detent (1)	(1)

SCREW TORQUE SPECIFICATIONS				
FIG.	PART NO.	WHERE USED	SEAT TORQUE	
			(KG/CM)	(IN/LBS)
6	05-74-0986	Housing/Gearcase	21±1	18±1
53	06-82-2738	Ground Plate	10±1	8±1
54	06-82-1080	Housing Cover	10±1	8±1

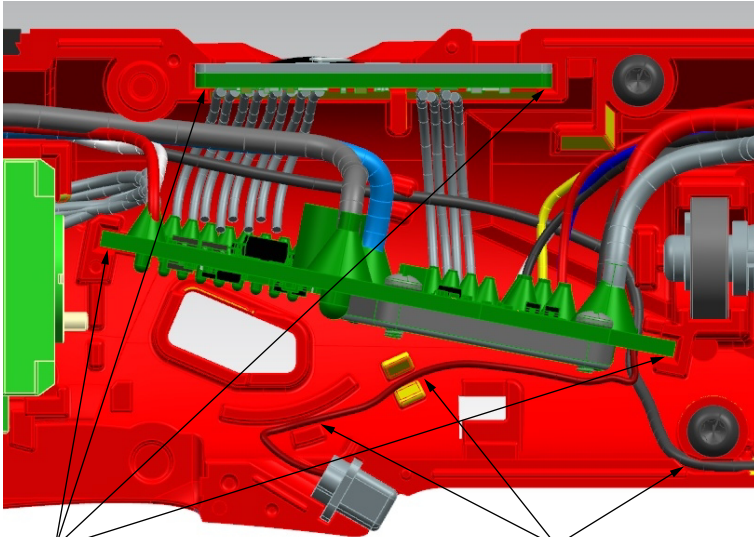
WIRING INSTRUCTIONS



1. HV wire in wire traps

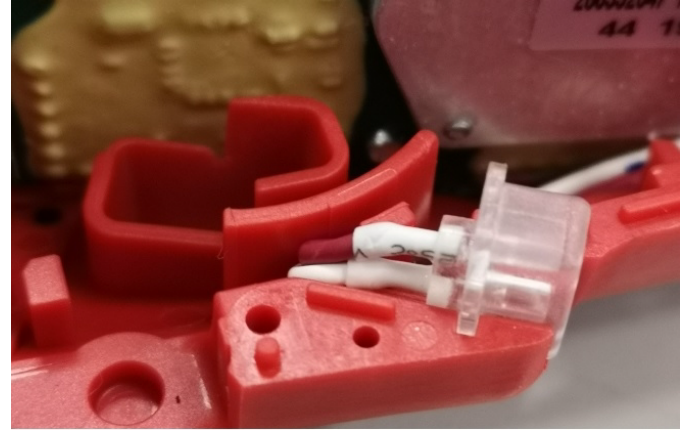


Align HV terminal as shown

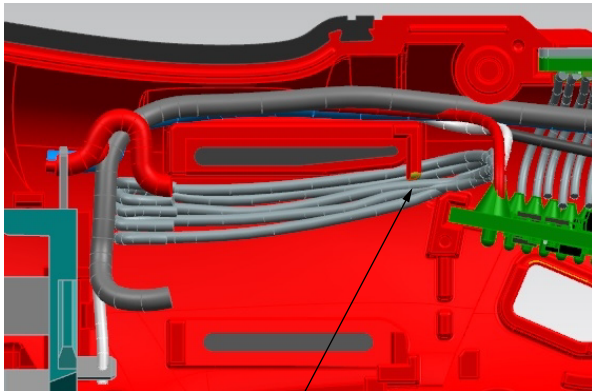


2. Seat PCBA in recesses

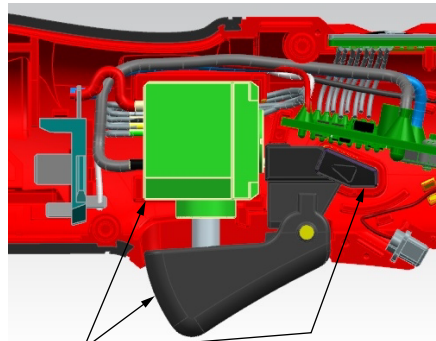
3. Place wires in traps



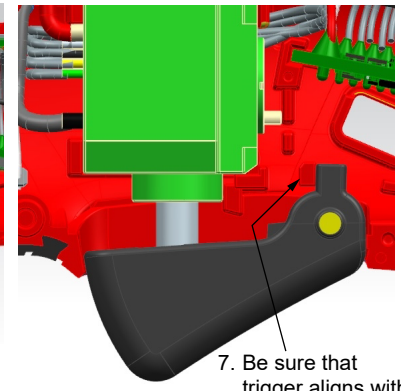
4. Place LED light in recess with the red wire to the top



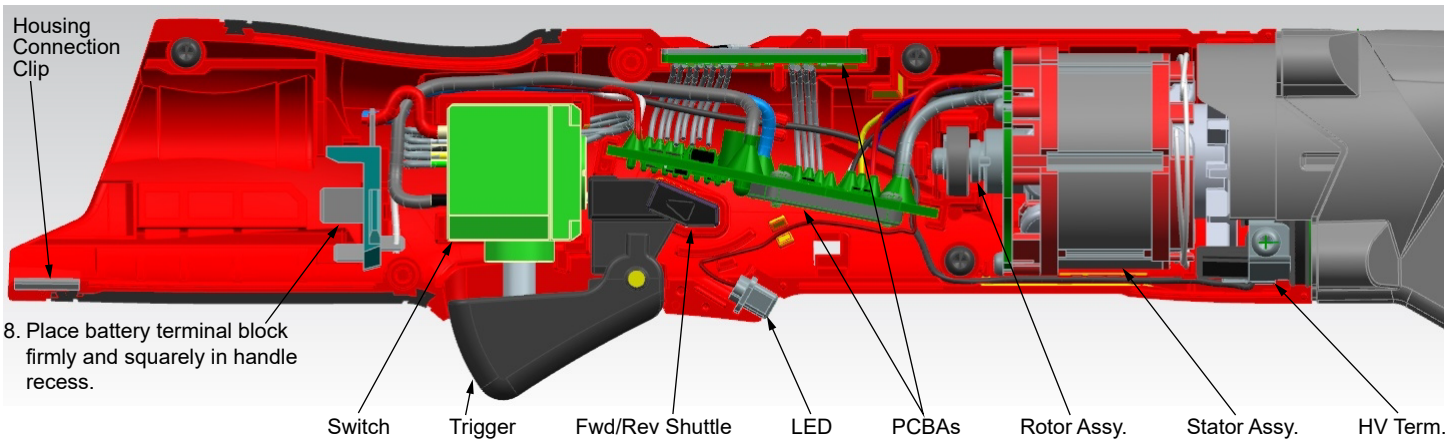
5. Route cable through this groove



6. Place switch, forward/reverse shuttle and trigger in handle support recesses as shown



7. Be sure that trigger aligns with rib as shown



8. Place battery terminal block firmly and squarely in handle recess.

Switch Trigger Fwd/Rev Shuttle LED PCBAs Rotor Assy. Stator Assy. HV Term.

Prior to installing the Housing Cover, be sure all elements of the Electronics Assembly are seated properly (Stator, Main PCBA, Selector PCBA, On-Off Switch, LED Assembly and Battery Terminal Block Connector). Be sure the Grounding Terminal is in place and that all wires are pressed down into all wire traps and channels. Check to assure that

wires will not interfere with moving parts. Prior to installing the Housing Cover, place Forward/Reverse Shuttle onto On-Off Switch and through Housing Support opening. Check to assure that wires will not be pinched. Secure the Housing Cover to the Housing Support with five M3 x 16mm ST T-10 Screws. Be sure to replace the Housing Clip at the bottom of the battery opening.