



# SERVICE PARTS LIST

**BULLETIN NO.  
54-40-2530**

SPECIFY CATALOG NO. AND SERIAL NO. WHEN ORDERING PARTS		REVISED BULLETIN	DATE
<b>M12™ FUEL™ 5-3/8" (140mm) Circular Saw</b>			Nov. 2014
CATALOG NO.	<b>2530-20</b>	STARTING SERIAL NO.	<b>G32A</b>
		WIRING INSTRUCTION <b>See Page Three</b>	

**EXAMPLE:**  
Component Parts (Small #)  
Are Included When Ordering  
The Assembly (Large #).

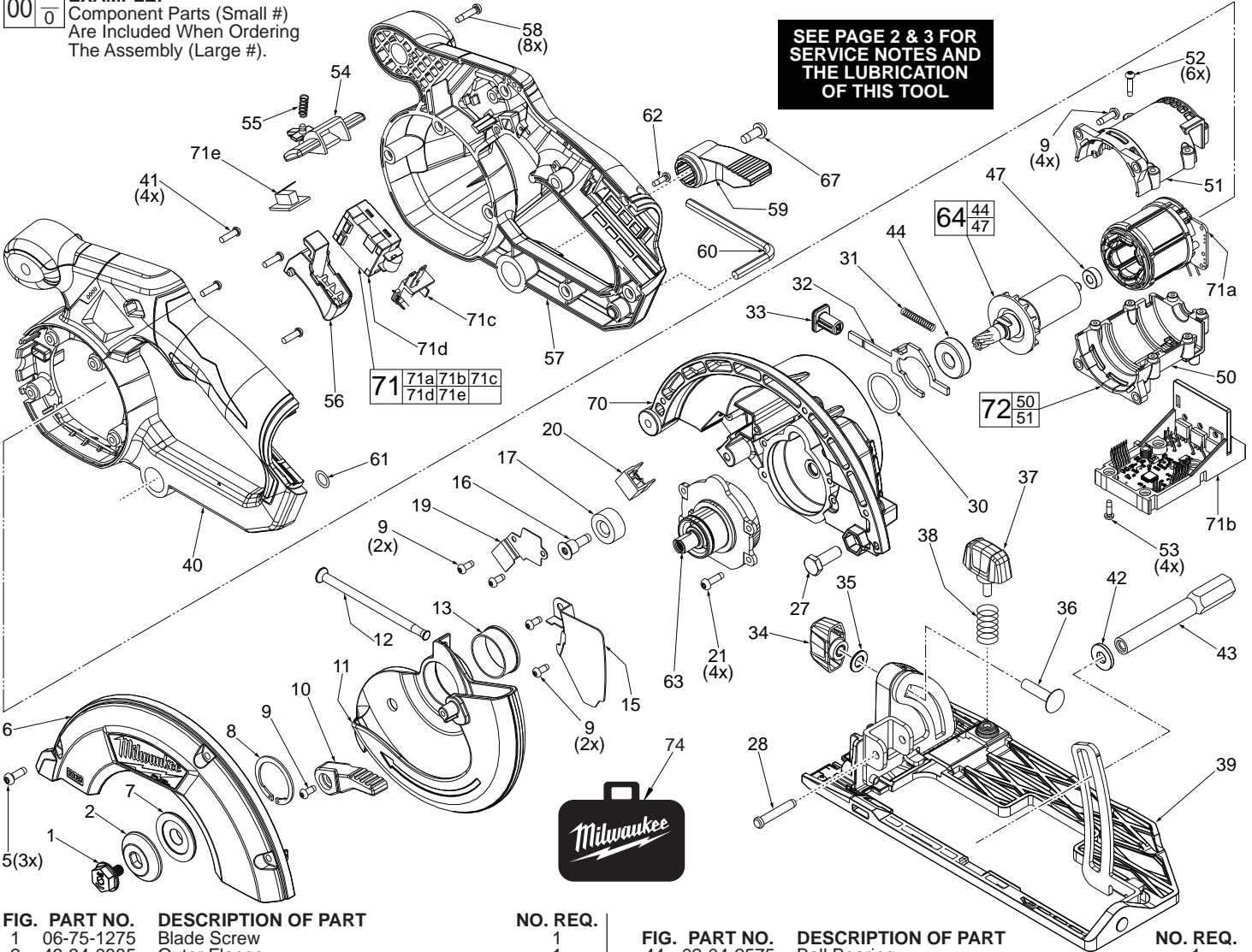


FIG.	PART NO.	DESCRIPTION OF PART	NO. REQ.
1	06-75-1275	Blade Screw	1
2	43-34-0885	Outer Flange	1
5	05-74-0985	M4.0 x 12mm Pan Hd. Taptite T-20 Screw	3
6	28-20-0950	Upper Guard Cover Assembly	1
7	43-34-0980	Inner Flange	1
8	34-60-0631	Retaining Ring	1
9	06-82-2653	M3.5 x 8mm Pan Hd. Plastite T-15 Screw	9
10	44-10-1075	Lower Guard Lever	1
11	28-41-2030	Lower Guard	1
12	40-50-1710	Spring	1
13	45-14-0370	Lower Guard Sleeve	1
15	44-66-2350	Retaining Plate	1
16	45-04-0485	Bumper Screw	1
17	42-38-0222	Rubber Bumper	1
19	31-15-2375	LED Cover	1
20	22-06-0550	LED Assembly	1
21	05-81-1170	M3 x 12mm ST T-15 Screw	4
27	06-75-2010	1/4-20 x 3/4" Left Hand Hex Hd. Screw	1
28	44-60-2250	Pivot Pin	1
30	34-40-5262	O-Ring	1
31	40-50-1615	Spring	1
32	44-20-1300	Spindle Lock Plate	1
33	42-42-1270	Spindle Lock Button	1
34	43-98-0705	Bevel Adjustment Knob	1
35	45-88-1560	Washer	1
36	06-10-0150	M6 x 25mm Carriage Bolt	1
37	43-98-0605	Rip Fence Knob	1
38	40-50-0650	Spring	1
39	14-74-0560	Shoe Assembly	1
40	31-44-2965	Housing Support Assembly Consists of: Left Housing Halve, Fuel Gauge and Fuel Gauge Label	1
41	05-88-5380	M3.5 x 12mm Pan Hd. Taptite T-15 Screw	4
42	45-88-1515	Washer	1
43	45-08-0155	Depth Shaft	1

FIG.	PART NO.	DESCRIPTION OF PART	NO. REQ.
44	02-04-2575	Ball Bearing	1
47	02-04-1875	Ball Bearing	1
50	-----	Motor Housing - Bottom	1
51	-----	Motor Housing - Top	1
52	06-82-7336	M3.0 x 20mm Pan Hd. Plastite T-10 Screw	6
53	06-82-1087	M3.0 x 12mm Pan Hd. Plastite T-10 Screw	4
54	42-42-1230	Switch Lock Out Button	1
55	40-50-1760	Spring	1
56	31-92-1050	Switch Trigger	1
57	31-44-2960	Housing Cover - Right Housing Halve	1
58	06-82-2025	M3.5 x 16mm Pan Hd. Plastite T-10 Screw	8
59	44-10-0007	Depth Lever	1
60	49-96-0600	3/16" Hex Key	1
61	34-40-4480	O-Ring	1
62	05-81-0195	M3.0 x 12mm Pan Hd. Plastite T-10 Screw	1
63	38-50-1950	Spindle Hub Assembly	1
64	23-40-0700	Rotor Assembly with Pinion and Bearings	1
67	06-82-5314	10-24 x 1/2" Pan Hd. Taptite T-25 Screw	1
70	28-14-2530	Upper Guard Gearcase Assy. w/Needle Bearing	1
71	23-66-2535	Stator / Electronics Assembly	1
71a	-----	Stator	1
71b	-----	PCBA	1
71c	-----	Battery Connector Block	1
71d	-----	Switch	1
71e	-----	Micro Switch	1
72	23-16-1025	Motor Housing Assembly	1
73	12-20-2530	Service Nameplate	1
74	42-55-2520	Contractors Bag	1
75	49-22-2530	Rip Fence (Not Shown)	1
76	10-15-2570	Warning Label (Not Shown)	1

**MILWAUKEE ELECTRIC TOOL CORPORATION**  
13135 W. LISBON RD., BROOKFIELD, WI 53005  
Drwg. 1