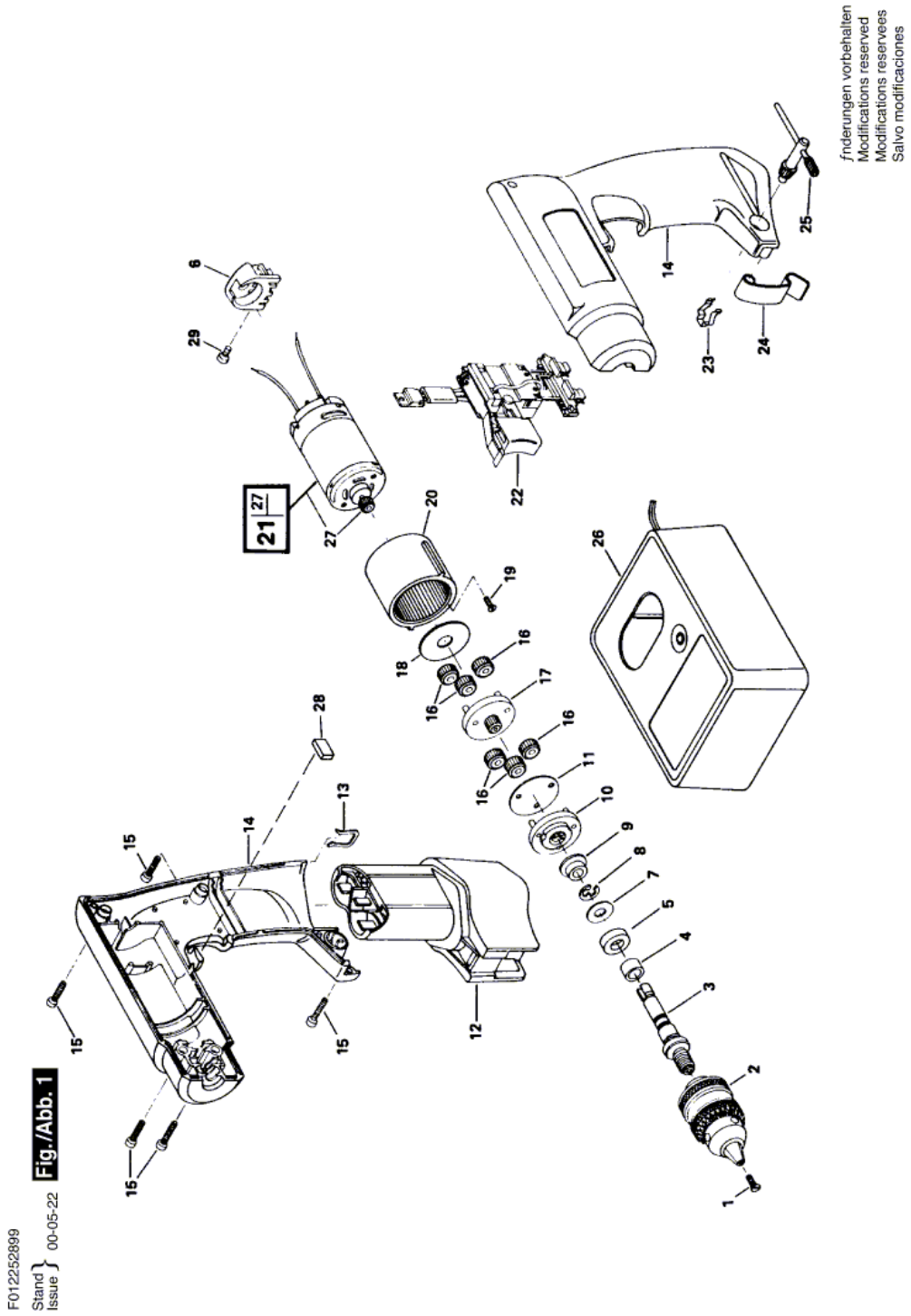


Cordless Drill - F 012 252 899 - 2528 TYPE 2

Item	Part Number	Description	Illustration	Price	Quantity	Price Group
1	2 610 068 005	Screw	1	-,-	1	11
2	2 610 067 974	Chuck 3/8"	1	-,-	1	31
3	2 610 351 024	Axle	1	-,-	1	25
4	2 610 351 033	Bearing	1	-,-	1	13
5	2 610 354 729	Washer	1	-,-	1	11
6	2 610 351 019	Connector	1	-,-	1	13
7	2 610 351 030	Spring	1	-,-	1	11
8	2 610 023 340	Retaining snap ring	1	-,-	1	-
9	2 610 351 032	Bearing	1	-,-	1	13
10	2 610 351 049	Plate	1	-,-	1	16
11	2 610 351 011	Shim washer	1	-,-	1	12
12	2 610 354 060	Battery Set 7.2/120V	1	-,-	1	-
13	2 610 351 046	Support	1	-,-	1	13
14	2 610 909 554	Housing Set	1	-,-	1	-
15	2 610 315 386	Screw ST3,9x19	1	-,-	5	11
16	2 610 351 016	Toothed Gear	1	-,-	6	11
17	2 610 351 048	Plate	1	-,-	1	15
18	2 610 351 042	Washer	1	-,-	1	11
19	2 610 351 047	Screw	1	-,-	2	11
20	2 610 908 334	Toothed Gear	1	-,-	1	13
21	2 610 991 892	Motor 7,2V	1	-,-	1	37
22	2 610 906 479	Toggle Switch	1	-,-	1	-
23	2 610 351 023	Support	1	-,-	1	11
24	2 610 351 018	Latch	1	-,-	1	13
25	2 610 092 960	Key Chuck	1	-,-	1	-
26	2 610 092 900	Charger USA 120/7,2-12V	1	-,-	1	-
27	2 610 351 015	Toothed Gear	1	-,-	1	11
28	2 610 352 598	Dust Protection	1	-,-	2	-
29	2 610 315 146	Screw	1	-,-	1	11

Illustration - Type E



Information subject to change without further notice.