

# JET<sup>®</sup>

# J E T

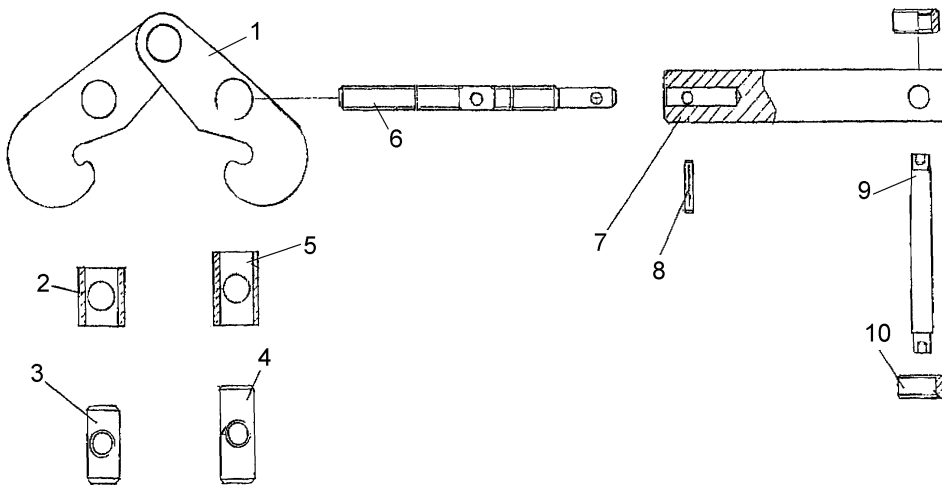
## OWNER'S MANUAL

### JBC Series Beam Clamps

#### ⚠ WARNING

- Read and understand all warnings and operating instructions before attempting to use the beam clamp.
- Beam clamps are designed and intended for use on "I" and "H" beams having an installed rated value of the beam clamp.
- NEVER install a beam clamp on a beam that has not been rated or tested for attachment of lifting devices.
- Beam clamp must be fully tightened and fully engage beam before use.
- Beam clamps are designed for vertical lifts only. DO NOT use for side or angle pulls or lifts.
- Always replace worn, damaged or missing labels.

Failure to comply with these warnings may result in personal injury and/or property damage.



## Parts List for JBC Series Beam Clamps

Index No.	Part No.	Description	Size	Qty.
1	JBC1-1	Clamp (1-Ton)		1
	JBC2-1	Clamp (2-Ton)		1
	JBC3-1	Clamp (3-Ton)		1
	JBC5-1	Clamp (5-Ton)		1
2	JBC1-2	Shaft Housing Short (1-Ton)		1
	JBC2-2	Shaft Housing Short (2-Ton)		1
	JBC3-2	Shaft Housing Short (3-Ton)		1
	JBC5-2	Shaft Housing Short (5-Ton)		1
3	JBC1-3	Shaft Short (1-Ton)		1
	JBC2-3	Shaft Short (2-Ton)		1
	JBC3-3	Shaft Short (3-Ton)		1
	JBC5-3	Shaft Short (5-Ton)		1
4	JBC1-4	Shaft Long (1-Ton)		1
	JBC2-4	Shaft Long (2-Ton)		1
	JBC3-4	Shaft Long (3-Ton)		1
	JBC5-4	Shaft Long (5-Ton)		1
5	JBC1-5	Shaft Housing Long (1-Ton)		1
	JBC2-5	Shaft Housing Long (2-Ton)		1
	JBC3-5	Shaft Housing Long (3-Ton)		1
	JBC5-5	Shaft Housing Long (5-Ton)		1
6	JBC1-6	Lead Screw Handle (1-Ton)		1
	JBC2-6	Lead Screw Handle (2-Ton)		1
	JBC3-6	Lead Screw Handle (3-Ton)		1
	JBC5-6	Lead Screw Handle (5-Ton)		1
7	JBC1-7	Handle Housing (1-Ton)		1
	JBC2-7	Handle Housing (2-Ton)		1
	JBC3-7	Handle Housing (3-Ton)		1
	JBC5-7	Handle Housing (5-Ton)		1
8	JBC1-8	Pin (1-Ton)		1
	JBC2-8	Pin (2-Ton)		1
	JBC3-8	Pin (3-Ton)		1
	JBC5-8	Pin (5-Ton)		1
9	JBC1-9	Handle (1-Ton)		1
	JBC2-9	Handle (2-Ton)		1
	JBC3-9	Handle (3-Ton)		1
	JBC5-9	Handle (5-Ton)		1
10	JBC1-10	Handle Cap (1-Ton)		1
	JBC2-10	Handle Cap (2-Ton)		1
	JBC3-10	Handle Cap (3-Ton)		1
	JBC5-10	Handle Cap (5-Ton)		1
*	JBC1-11	Warning Label (1-Ton & 2-Ton)	2-3/4" x 1-1/2"	1
	JBC3-11	Warning Label (3-Ton & 5-Ton)	3-1/4" x 1-9/16"	1
*	JBC1-12	I.D. Label (1-Ton)		1
	JBC2-12	I.D. Label (2-Ton)		1
	JBC3-12	I.D. Label (3-Ton)		1
	JBC5-12	I.D. Label (5-Ton)		1

\* Not shown