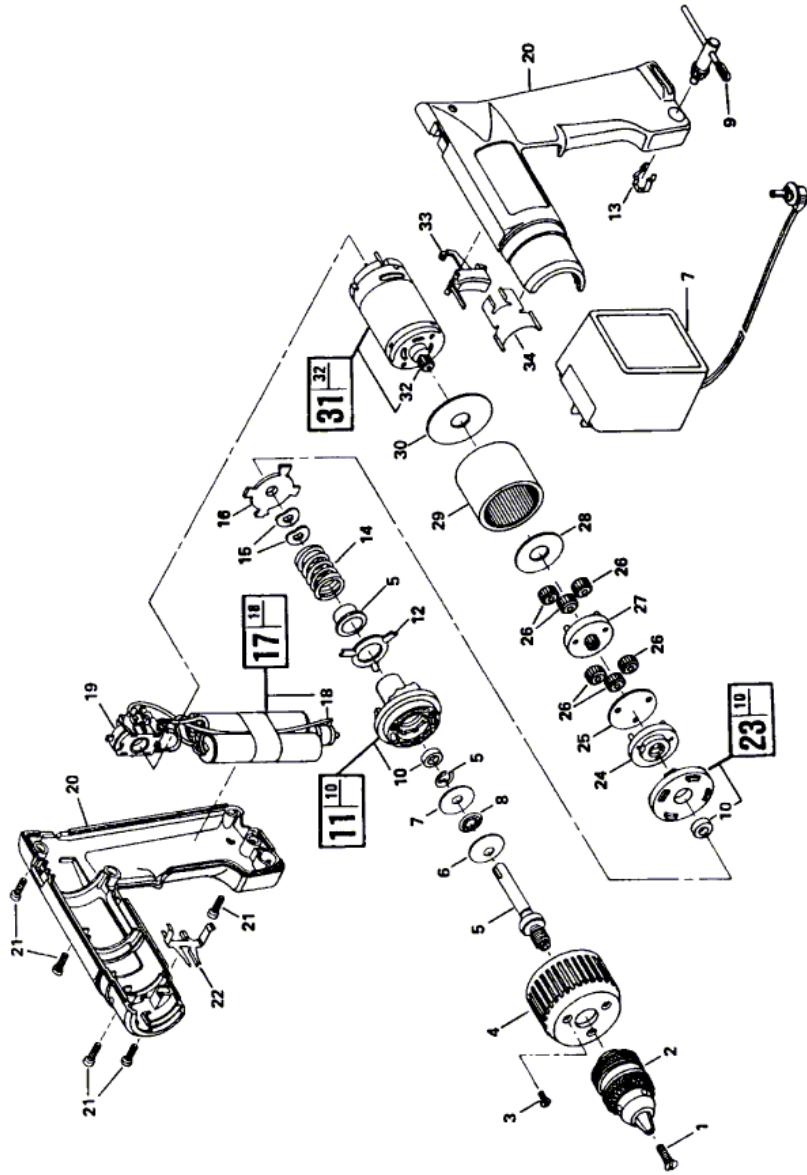


Cordless Drill - F 012 250 399 - 2503 TYPE 2

Item	Part Number	Description	Illustration	Price	Quantity	Price Group
1	2 610 068 005	Screw	1	-,-	1	11
2	2 610 092 962	Chuck	1	-,-	1	-
3	2 610 351 043	Screw	1	-,-	1	11
4	2 610 352 856	Sleeve	1	-,-	1	15
5	2 610 904 752	Axle	1	-,-	1	22
6	2 610 026 126	Washer	1	-,-	1	11
7	2 610 353 286	Battery Charger 7.2/120V	1	-,-	1	-
8	2 610 354 729	Washer	1	-,-	1	11
9	2 610 092 960	Key Chuck	1	-,-	1	-
10	2 610 351 034	Bearing	1	-,-	2	13
11	2 610 351 037	Cam	1	-,-	1	15
12	2 610 351 012	Washer	1	-,-	1	11
13	2 610 351 023	Support	1	-,-	1	11
14	2 610 351 014	Spring	1	-,-	1	11
15	2 610 904 752	Axle	1	-,-	2	22
16	2 610 904 632	Plate	1	-,-	1	15
17	2 610 355 795	Battery Set	1	-,-	1	40
18	2 610 352 890	Thermostat	1	-,-	1	22
19	2 610 354 395	Switch	1	-,-	1	21
20	2 610 352 604	Housing	1	-,-	1	24
21	2 610 350 996	Screw	1	-,-	5	11
22	2 610 351 041	Cover	1	-,-	1	13
23	2 610 908 318	Clutch	1	-,-	1	19
24	2 610 351 049	Plate	1	-,-	1	16
25	2 610 351 011	Shim washer	1	-,-	1	12
26	2 610 351 016	Toothed Gear	1	-,-	6	11
27	2 610 351 048	Plate	1	-,-	1	15
28	2 610 351 042	Washer	1	-,-	1	11
29	2 610 908 334	Toothed Gear	1	-,-	1	13
30	2 610 351 013	Washer	1	-,-	1	11
31	2 610 991 892	Motor 7,2V	1	-,-	1	37
32	2 610 351 015	Toothed Gear	1	-,-	1	11
33	2 610 352 624	Lever	1	-,-	1	11

Item	Part Number	Description	Illustration	Price	Quantity	Price Group
34	2 610 351 040	Plate	1	-,-	1	13

Illustration - Type E



Änderungen vorbehalten
Modifications reserved
Modifications reserves
Salvo modificaciones

F012250399
Stand }
Issue } 00-05-22

Fig./Abb. 1

Information subject to change without further notice.