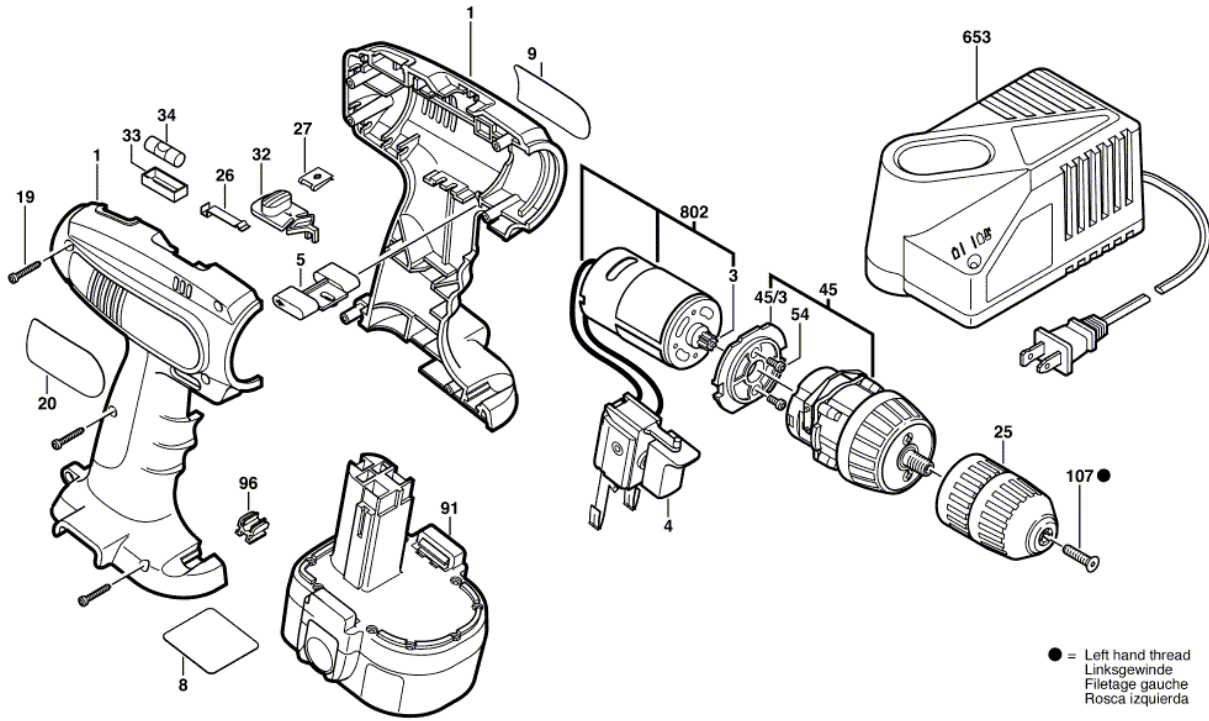


F012 2492 / 2592  
Issue | 99-09-08  
Stand | **Fig./Abb. 1**



● = Left hand thread  
Linksgewinde  
Filetage gauche  
Rosca izquierda

Modifications reserved  
Änderungen vorbehalten  
Modifications réservées  
Salvo modificaciones

Pos.	Part Number	Description	Pos.	Part Number	Description
1	2 610 997 749	Housing Section			
3	2 610 967 116	Pinion			
4	2 607 200 424	On-Off Switch			
5	2 610 967 613	Lever			
8	2 610 997 830	Nameplate			
9	2 610 997 831	Label			
19	2 610 909 719	Screw			
20	2 610 998 896	Warning Plate			
25	2 610 993 339	Keyless Chuck			
26	2 610 910 468	Spring Element			
27	2 610 998 838	Clip			
32	2 610 998 237	Lever			
33	2 610 967 205	Support			
34	2 610 967 204	Bubble Level			
45	2 610 997 737	Planetary Gear Train			
45/3	2 610 997 748	Mounting Plate			
54	2 610 967 115	Screw			
91	2 607 335 329	Accumulator Battery			
96	2 610 911 815	Support			
107	2 609 110 721	Countersunk-Head Screw			
653	2 607 224 473	Fast Charger			
802	2 610 998 212	Motor			