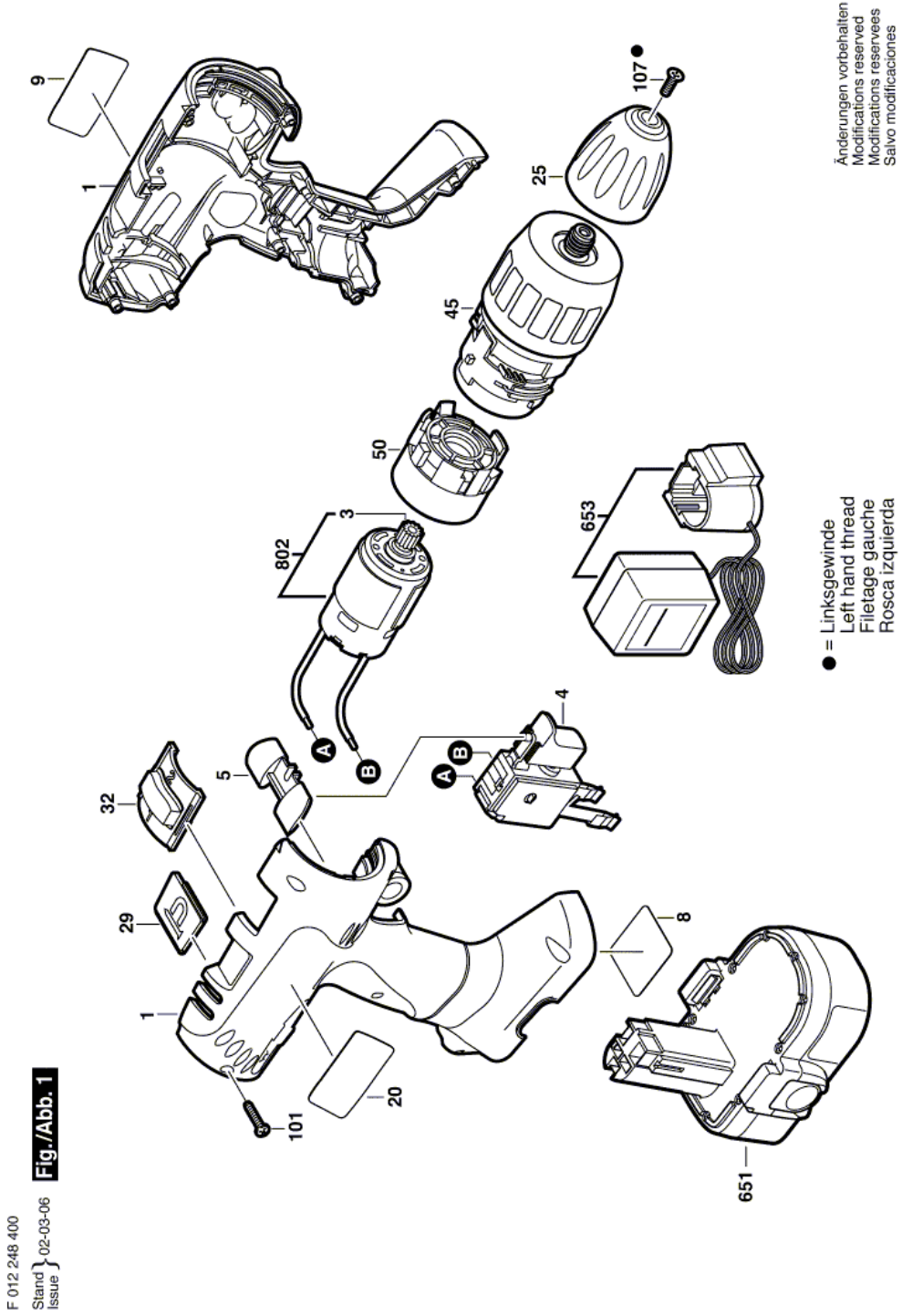


Cordless Screwdriver - F 012 248 400 - 2484

| Item | Part Number | Description | Illustration | Price | Quantity | Price Group |
|------|---------------|---------------------------------------|--------------|-------|----------|-------------|
| 1 | 2 610 912 976 | Motor Housing | 1 | -,- | 1 | - |
| 3 | 2 606 316 190 | Pinion | 1 | -,- | 1 | 13 |
| 4 | 2 607 200 353 | On-Off Switch | 1 | -,- | 1 | 39 |
| 5 | 2 601 099 116 | Adjusting Slide | 1 | -,- | 1 | - |
| 8 | 2 610 913 243 | Nameplate | 1 | -,- | 1 | - |
| 9 | 2 610 913 241 | Reference Plate | 1 | -,- | 1 | - |
| 20 | 2 610 913 242 | Reference Plate | 1 | -,- | 1 | - |
| 25 | 2 610 913 501 | Chuck | 1 | -,- | 1 | - |
| 29 | 2 600 290 043 | Magnet Disk | 1 | -,- | 1 | 15 |
| 32 | 2 601 099 098 | Adjusting Slide | 1 | -,- | 1 | 12 |
| 45 | 2 606 200 151 | Planetary Gear Train | 1 | -,- | 1 | - |
| 50 | 2 605 719 026 | Adapter | 1 | -,- | 1 | 14 |
| 101 | 2 603 490 018 | Torx Oval-Head Screw 3x18 | 1 | -,- | 1 | 10 |
| 107 | 2 603 421 229 | Countersunk-Head Screw M6x23 | 1 | -,- | 1 | 11 |
| 651 | 2 607 335 329 | Accumulator Battery 12V, 1,25Ah, NiCd | 1 | -,- | 1 | - |
| 653 | 2 607 225 367 | Fast Charger USA 120/9,6V-18V, 3h | 1 | -,- | 1 | 31 |
| 802 | 2 610 913 390 | Motor Housing | 1 | -,- | 1 | - |

Illustration - Type E



Information subject to change without further notice.