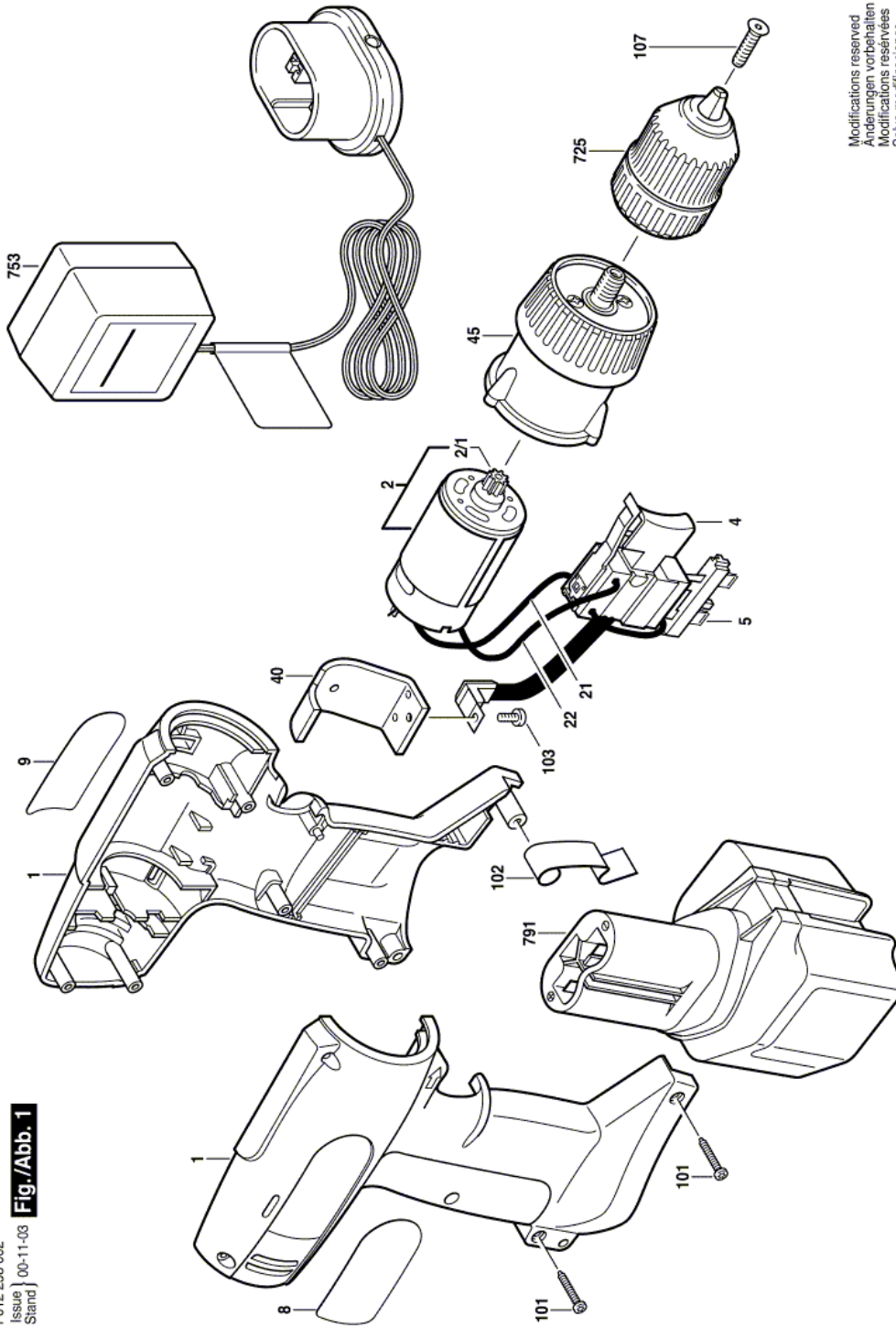


## Cordless Screwdriver - F 012 248 002 - 2480

Item	Part Number	Description	Illustration	Price	Quantity	Price Group
1	2 610 967 121	Housing BLACK	1	-,-	1	20
2	2 610 967 132	DC motor 12V	1	-,-	1	27
2/1	2 610 967 133	Pinion	1	-,-	1	11
4	2 610 967 136	On-Off Switch	1	-,-	1	32
5	2 610 908 335	Battery Contact 12V	1	-,-	1	15
8	2 610 991 975	Nameplate	1	-,-	1	-
9	2 610 967 538	Label	1	-,-	1	-
21	2 610 967 129	Connecting Cable 105 MM BLACK	1	-,-	1	15
22	2 610 967 130	Connecting Cable 105 MM RED	1	-,-	1	15
40	2 610 967 134	Heat Sink	1	-,-	1	13
45	2 610 967 124	Gear Housing	1	-,-	1	29
101	2 610 909 719	Screw BLACK	1	-,-	7	11
102	2 610 351 018	Latch	1	-,-	1	13
103	2 610 315 146	Screw	1	-,-	1	11
107	2 609 110 721	Countersunk-Head Screw M5x20	1	-,-	1	11
725	2 610 908 303	Chuck 3/8"	1	-,-	1	32
753	2 610 909 723	Battery Charger USA 120/12V, 3h	1	-,-	1	-
791	2 610 908 315	Accumulator Battery 12V/120V	1	-,-	1	-

Illustration - Type E



F012 238 002  
Issue | 00-11-03  
Stand |  
**Fig./Abb. 1**

Modifications reserved  
Änderungen vorbehalten  
Modificacions reservées  
Salvo modificaciones

Information subject to change without further notice.