



BOSCH

Impact Wrench

24618 | 3 601 JA1 S12

Table of Content

Spare parts list.....	2
Illustration - Type.....	3

Spare parts list

Item	Part Number	Description	Illustration
1	2 609 101 136	Housing	1
4	1 607 233 480	Electronics Module	1
5	2 609 100 698	Button	1
8	2 609 131 990	Warning Label	1
9	2 609 132 046	Nameplate IMPACTOR 18V	1
21	2 609 111 485	Wire Mesh	1
45	2 609 199 696	Gear Box	1
45/60	2 609 170 128	Cap	1
46	1 609 280 477	Compression Spring	1
91	1 607 A35 0BM	Battery Pack BAT612 18V 2.0Ah Li SCM	1
91	2 607 336 819	Battery Pack USA BAT620 18V 4,0Ah	1
100	2 609 110 833	Clip	1
101	2 609 110 201	Torx Flat-Head Screw 3x16	1
103	2 609 110 835	Nut	1
105	2 609 110 834	Screw	1
653	2 607 225 927	Charger USA BC 1880 CV 13,3-18V/120V	1
802	2 609 199 276	DC motor 18V	1
802/33	2 609 170 104	O-Ring	1
804	1 609 280 478	Contact retainer	1
808	2 609 132 599	Label 24618	1
816	2 609 199 169	Carbon-Brush Set	1
848	2 609 199 190	Brush-Cover	1

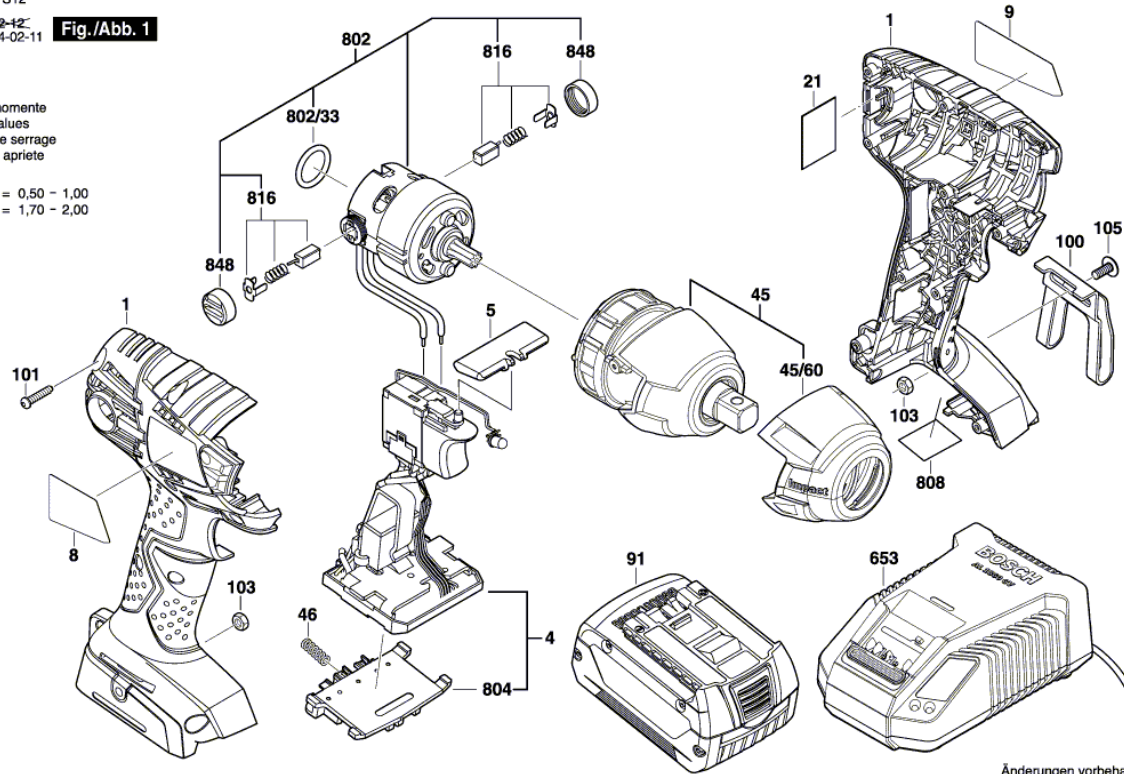
Illustration - Type - E

3 601 JA1 S12
 Stand } 12-12
 Issue } 14-02-11

Fig./Abb. 1

Anzugsmomente
 Torque values
 Couple de serrage
 Pares de apriete

Pos
 101 = 0,50 - 1,00
 105 = 1,70 - 2,00



Änderungen vorbehalten
 Modifications reserved
 Modifications réservées
 Salvo modificaciones