



SERVICE PARTS LIST

BULLETIN NO.
54-47-0230

SPECIFY CATALOG NO. AND SERIAL NO. WHEN ORDERING PARTS		REVISED BULLETIN	DATE
M12™ 3/8" RATCHET			Dec. 2013
CATALOG NO.	2457-20	SERIAL NUMBER	D54A
			WIRING INSTRUCTION See Reverse Side

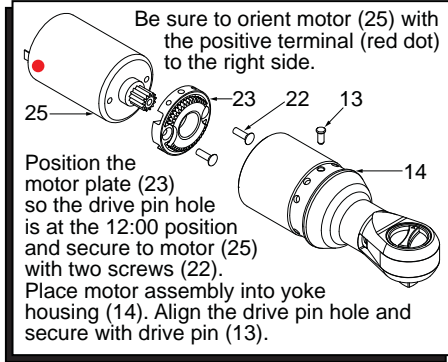


FIG.	PART NO.	DESCRIPTION OF PART	NO. REQ.
35	44-10-0740	Switch Paddle	(1)
36	-----	Handle Support - Left	(1)
38	14-46-2455	3/8" Yoke Housing Assembly	(1)
39	23-66-3020	Switch Assembly	(1)
40	31-44-2710	Handle Kit	(1)
41	-----	Fuel Gauge Label	(1)
42	42-06-1025	3/8" Anvil Service Kit	(1)
43	42-55-2456	Contractors Bag	(1)

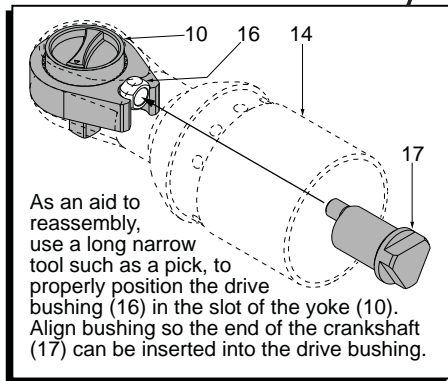
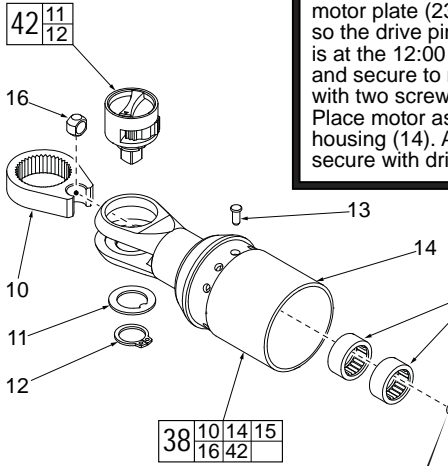
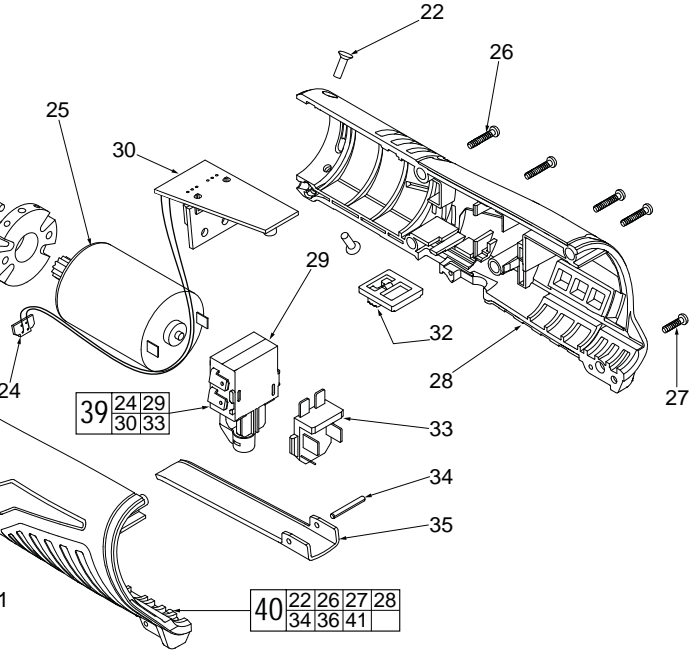


FIG.	PART NO.	DESCRIPTION OF PART	NO. REQ.
10	-----	Yoke	(1)
11	-----	Friction Plate	(1)
12	-----	Retaining Ring	(1)
13	44-60-0890	Drive Pin	(1)
14	-----	Yoke Housing	(1)
15	-----	Needle Bearing	(2)
16	-----	Driver Bushing	(1)
17	36-17-0300	Crankshaft	(1)
18	28-23-0500	Carrier Assembly	(1)
19	32-62-0400	Planet Gear	(3)
20	32-65-0350	Ring Gear	(1)
21	45-88-2105	Washer	(1)
22	05-81-0105	M3 x 10 T-10 Screw	(6)
23	44-66-1240	Motor Plate	(1)
24	-----	LED Assembly (Component of PCBA)	(1)
25	23-30-0650	Motor Assembly	(1)
26	06-82-2385	M2.6 x 14 ST T-8 Screw	(4)
27	06-82-2395	M2.6 x 10 ST T-8 Screw	(1)
28	-----	Handle Cover - Right	(1)
29	-----	Switch	(1)
30	-----	PCB Assembly with LED	(1)
31	12-20-2454	Service Nameplate (Not Shown)	(1)
32	23-66-2910	Lockout Switch	(1)
33	-----	Battery Connector	(1)
34	44-60-0575	Spring Pin	(1)

EXAMPLE:
Component Parts (Small #)
Are Included When Ordering
The Assembly (Large #).



- FIG. LUBRICATION (Type 'E' Grease, No. 49-08-4122):**
- 17 Apply a moderate coating of grease to the small cylindrical surface that goes into driver bushing and to the large cylindrical surface that is surrounded by the two needle bearings.
 - 18 Apply a moderate coating of grease to the three axles of the carrier assembly prior to installing the planet gears.
 - 20,25 Apply a heavy coating of grease to the inside diameter gear teeth of the ring gear and the teeth of the motor pinion.
 - 21 Apply a light coat of grease to the surface of the washer.
- FIG. NOTES**
28,31 Prior to installing a new service nameplate, apply isopropyl alcohol to the handle cover with a clean, lint free applicator and allowed to dry.
- 34 Use a similar size tool or pin to remove the spring pin from the handle halves and switch paddle. When reinstalling pin, align the holes and carefully press or tap the pin in place.