



SERVICE PARTS LIST

BULLETIN NO.
54-26-2451

SPECIFY CATALOG NO. AND SERIAL NO. WHEN ORDERING PARTS		REVISED BULLETIN	DATE
M12™ Impact Driver		54-26-2450	Feb. 2014
CATALOG NO.	2450-20	WIRING INSTRUCTION	
STARTING SERIAL NO.	B59B	SEE REVERSE SIDE	

EXAMPLE:
Component Parts (Small #)
Are Included When Ordering
The Assembly (Large #).

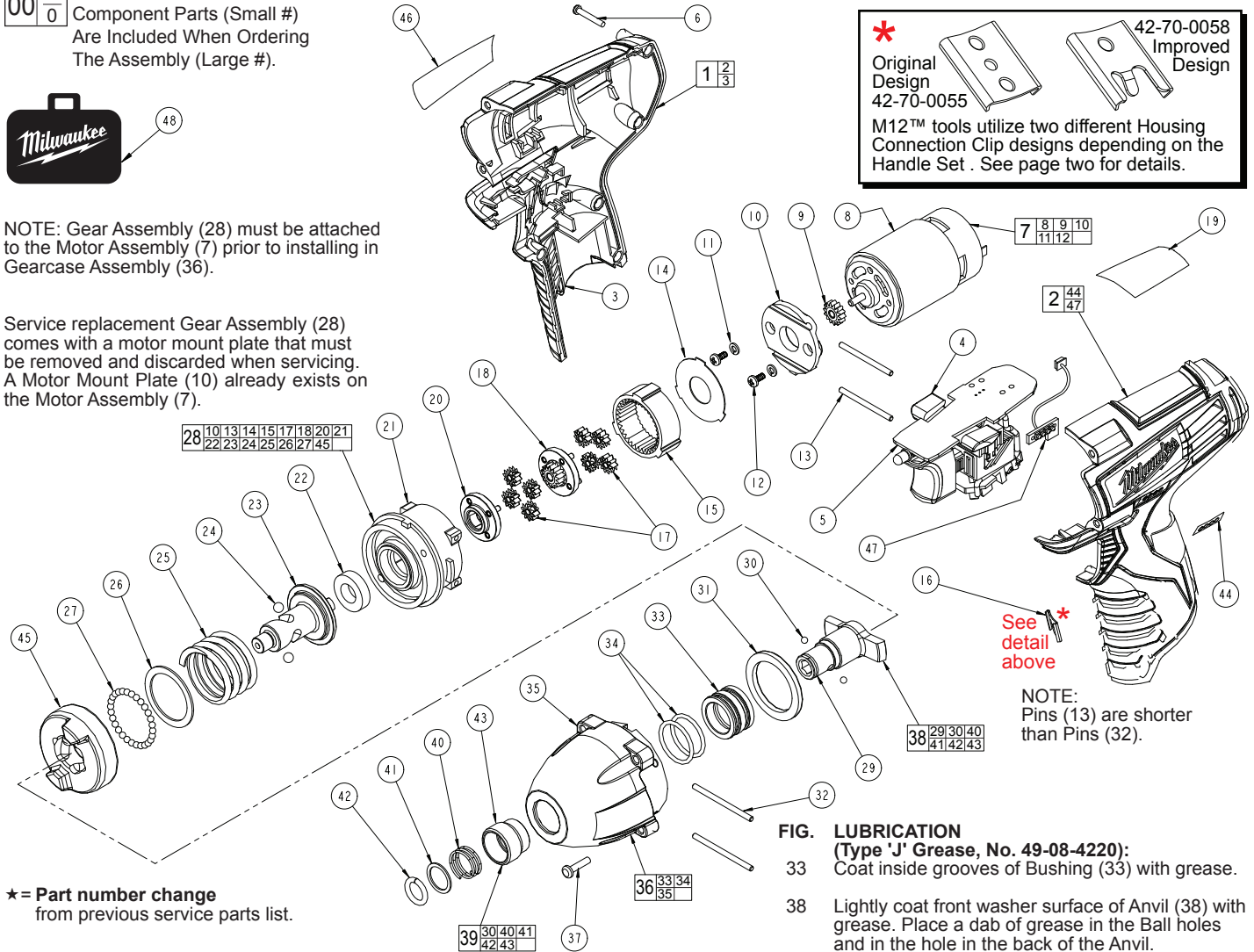


*** Original Design 42-70-0055** **Improved Design 42-70-0058**

M12™ tools utilize two different Housing Connection Clip designs depending on the Handle Set. See page two for details.

NOTE: Gear Assembly (28) must be attached to the Motor Assembly (7) prior to installing in Gearcase Assembly (36).

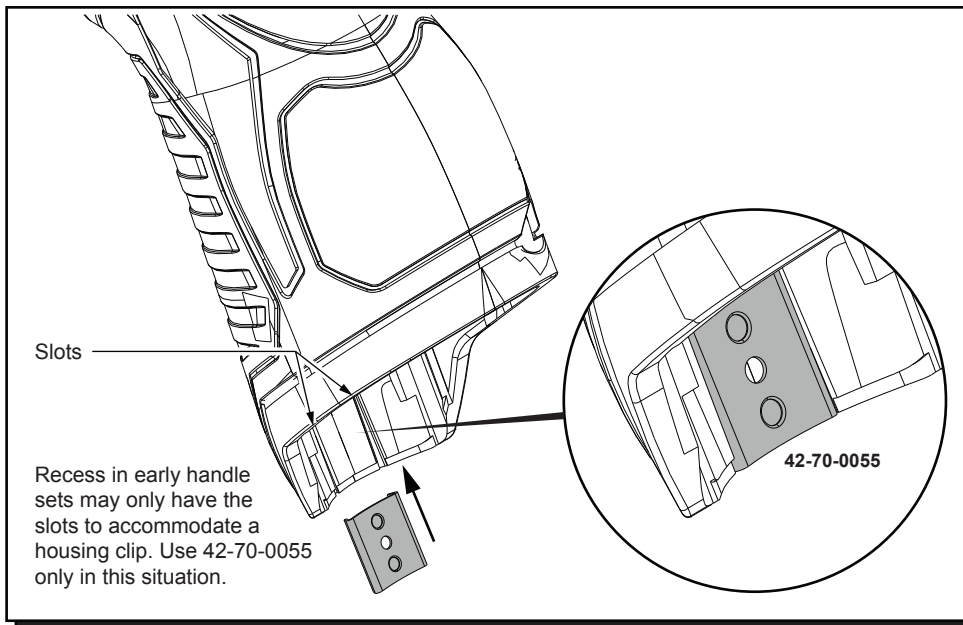
Service replacement Gear Assembly (28) comes with a motor mount plate that must be removed and discarded when servicing. A Motor Mount Plate (10) already exists on the Motor Assembly (7).



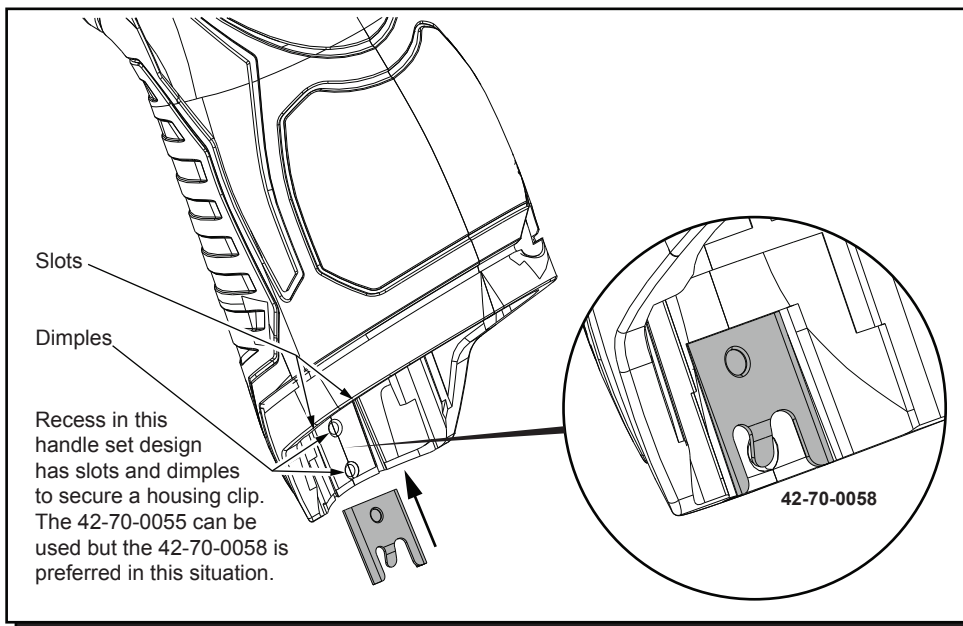
*** = Part number change**
from previous service parts list.

FIG. LUBRICATION
(Type 'J' Grease, No. 49-08-4220):
33 Coat inside grooves of Bushing (33) with grease.
38 Lightly coat front washer surface of Anvil (38) with grease. Place a dab of grease in the Ball holes and in the hole in the back of the Anvil.

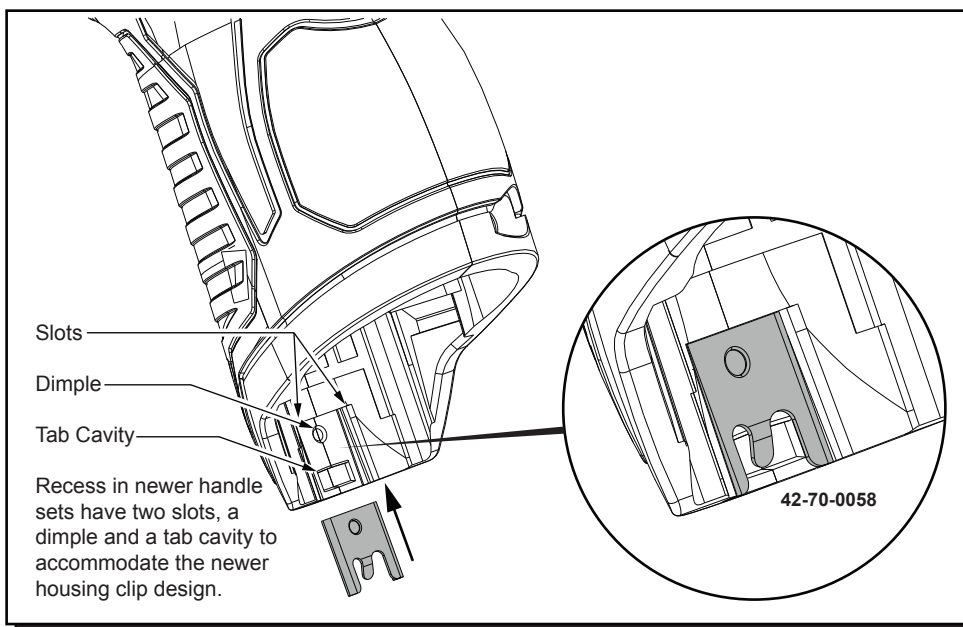
FIG.	PART NO.	DESCRIPTION OF PART	NO. REQ.	FIG.	PART NO.	DESCRIPTION OF PART	NO. REQ.
1	31-50-2402	Handle Set	(1)	27	-----	3.0mm Dia. Steel Ball	(29)
2	-----	Left Handle Half	(1)	28	14-29-0190	Gear Assembly	(1)
3	-----	Right Handle Half	(1)	29	-----	Anvil	(1)
4	45-24-0105	Fwd./Rev. Button	(1)	30	-----	3.5mm Steel Ball	(2)
★ 5	23-66-1106	Electronics Module Assembly	(1)	31	45-88-0455	Washer	(1)
6	06-82-2385	M2.6 x 14 T-9 Screw	(5)	32	06-65-0085	Pin	(2)
7	23-30-0090	Motor Service Assembly	(1)	33	-----	Sleeve Bearing	(1)
8	-----	Motor	(1)	34	-----	O-Ring	(2)
9	-----	Pinion	(1)	35	-----	Gear Housing	(1)
10	-----	Motor Mount	(1)	36	14-30-0005	Gearcase Assembly	(1)
11	-----	Washer	(2)	37	06-81-0005	M3.5 x 24 Screw	(4)
12	-----	M3 x 6 Screw	(2)	38	45-22-0015	Sleeve and Anvil Assembly	(1)
13	06-65-0075	Pin	(2)	39	45-22-0010	Sleeve and Ball Assembly	(1)
14	-----	Washer	(1)	40	-----	Spring	(1)
15	-----	Ring Gear	(1)	41	-----	Washer	(1)
16	42-70-0055	Housing Connection Clip	(1)	42	-----	Retaining Ring	(1)
17	-----	Planet Gear Set	(8)	43	-----	Sleeve	(1)
18	-----	Sun Gear	(1)	44	-----	LED Label	(1)
19	10-20-0790	Warning Label	(1)	45	-----	Hammer	(1)
20	-----	Carriage	(1)	46	12-20-2450	Service Nameplate	(1)
21	-----	Rear Housing	(1)	47	-----	Fuel Gauge LED Assembly	(1)
22	-----	Ball Bearing	(1)	48	42-55-2450	Carrying Case, Optional	(1)
23	-----	Cam Shaft	(1)				
24	-----	3/16" Dia. Steel Ball	(2)				
25	-----	Compression Spring	(1)				
26	-----	Washer	(1)				



Early M12™ Handle Sets utilize **Housing Connection Clip No. 42-70-0055**. Install this clip design by aligning the side rails of the clip with the two slots in the handle set. Gently push into place with the aid of a small flat blade screwdriver or a similar instrument. Be sure that the clip is properly seated in both slots and that the clip is flush to sub-flush to the end of the handle set. To remove the clip, use the same small flat blade screwdriver or a similar instrument and push the clip out of the handle set. If the clip is loose or will not stay in place, a needle nose pliers can be used to gently bend/pinch the side rails of the clip. If the clip is damaged do not use, replace with a new 42-70-0055 housing clip.

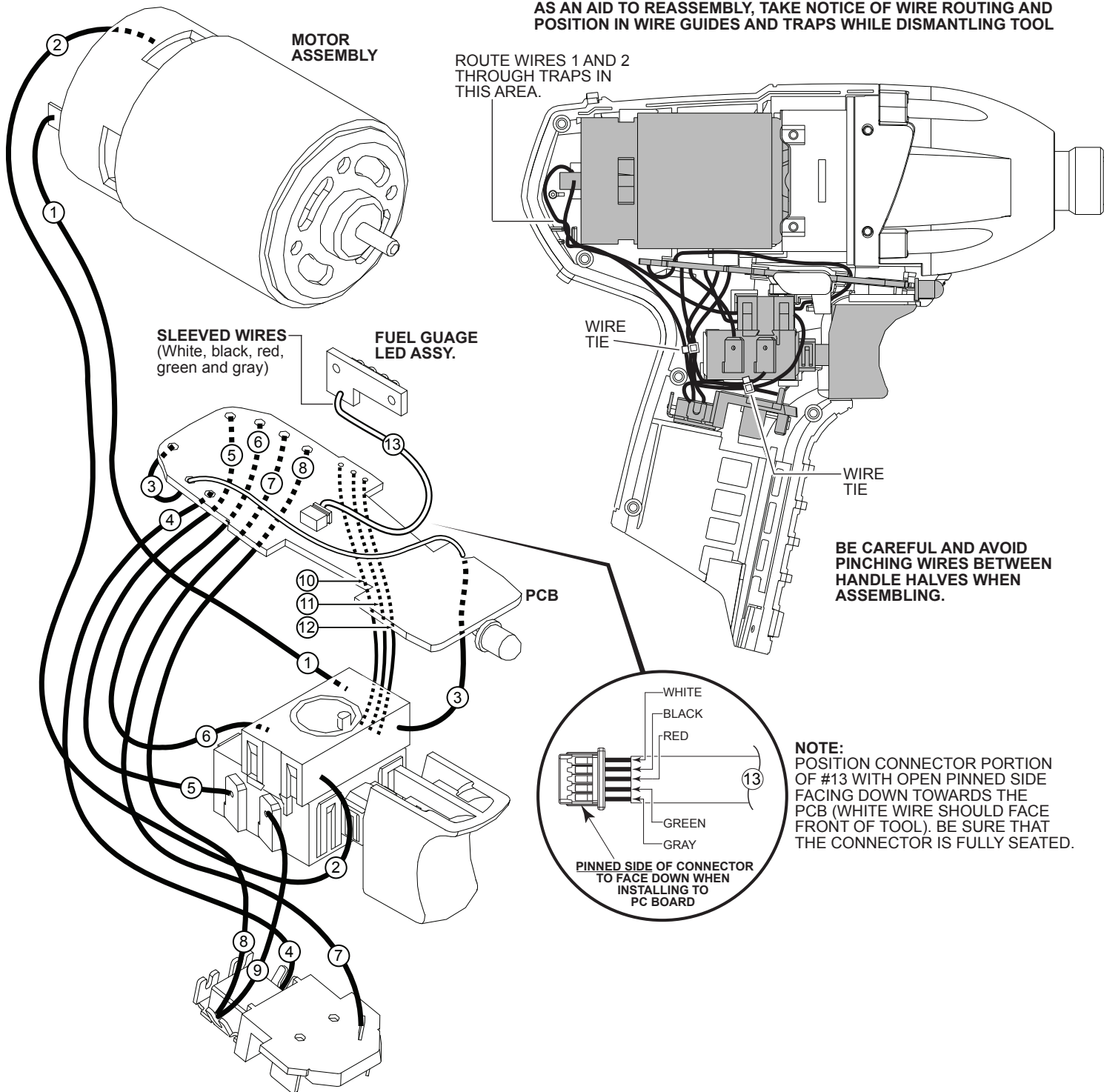


Updated M12™ Handle Sets utilize **Housing Connection Clips No. 42-70-0055 and 42-70-0058**. (The 42-70-0058 is a preferred upgrade). Install this clip design by aligning the side rails of the clip with the two slots in the handle set. Gently push into place with the aid of a small flat blade screwdriver or a similar instrument. Be sure that the clip is properly seated in both slots and that the tab of the clip snaps down in the round dimpled cavity of the handle set. Be sure that the clip is flush to sub-flush to the end of the handle set. To remove the clip, use the same small flat blade screwdriver or a similar instrument and lift up on the clip tab while pushing the clip out of the handle set. Use a needle nose pliers to gently rebend the clip tab if necessary. If the tab on the clip is damaged during this process and is loose or will not stay in place, replace with a new 42-70-0058 clip.



Newer M12™ Handle Sets utilize **Housing Connection Clip No. 42-70-0058**. Install this clip design by aligning the side rails of the clip with the two slots in the handle set. Gently push into place with the aid of a small flat blade screwdriver or a similar instrument. Be sure that the clip is properly seated in both slots and that the tab of the clip snaps down in the rectangular cavity of the handle set. Be sure that the clip is flush to sub-flush to the end of the handle set. To remove the clip, use the same small flat blade screwdriver or a similar instrument and lift the clip tab out of the cavity while pushing the clip out of the handle set. Use a needle nose pliers to gently rebend the clip tab if necessary. If the tab on the clip is damaged during this process and is loose or will not stay in place, replace with a new 42-70-0058 clip.

AS AN AID TO REASSEMBLY, TAKE NOTICE OF WIRE ROUTING AND POSITION IN WIRE GUIDES AND TRAPS WHILE DISMANTLING TOOL



WIRING SPECIFICATIONS

Wire No.	Wire Color	Origin or Gauge	Length	Terminals, Connectors and 1 or 2 End Wire Preparation
1	Black	23-30-0090	----	Component of the motor assembly.
2	Red	23-30-0090	----	Component of the motor assembly.
3	White	23-66-1106	----	Component of the electronics module assembly.
4	Black	23-66-1106	----	Component of the electronics module assembly.
5	Black	23-66-1106	----	Component of the electronics module assembly.
6	Red	23-66-1106	----	Component of the electronics module assembly.
7	White	23-66-1106	----	Component of the electronics module assembly.
8	Red	23-66-1106	----	Component of the electronics module assembly.
9	Red	23-66-1106	----	Component of the electronics module assembly.
10	Yellow	23-66-1106	----	Component of the electronics module assembly.
11	Blue	23-66-1106	----	Component of the electronics module assembly.
12	Black	23-66-1106	----	Component of the electronics module assembly.
13	Sleeve	23-66-1106	----	Component of the electronics module assy. / Fuel gauge LED.