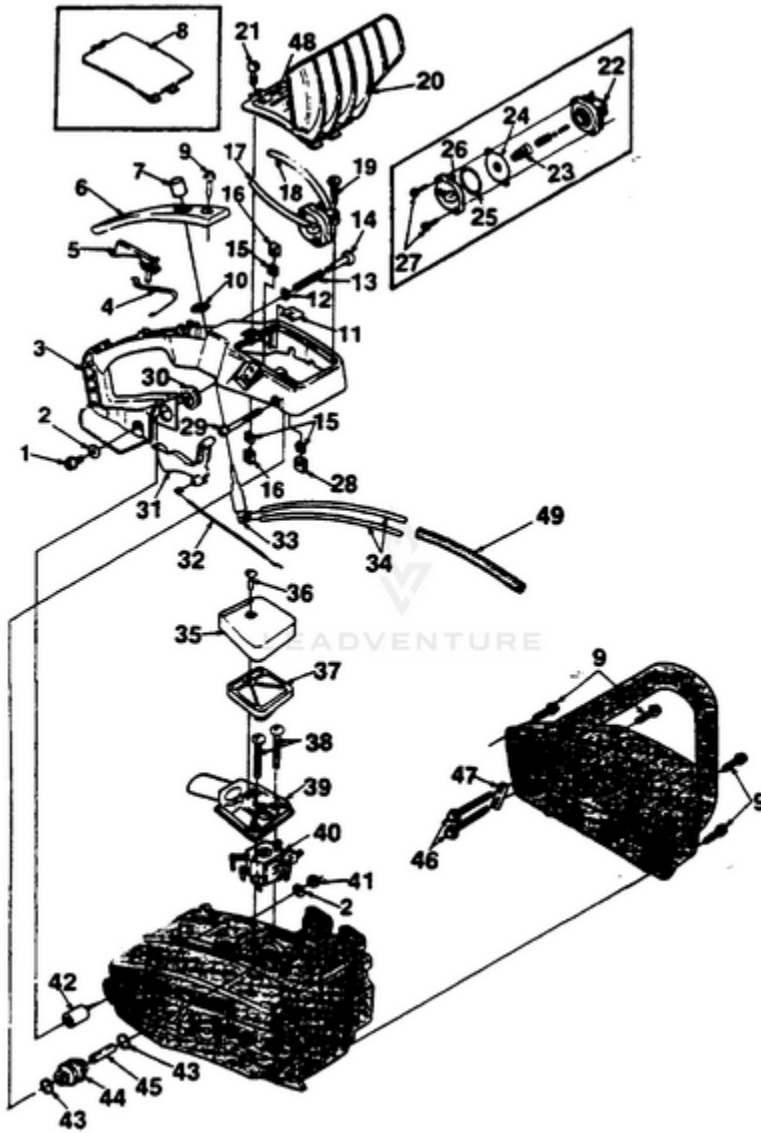


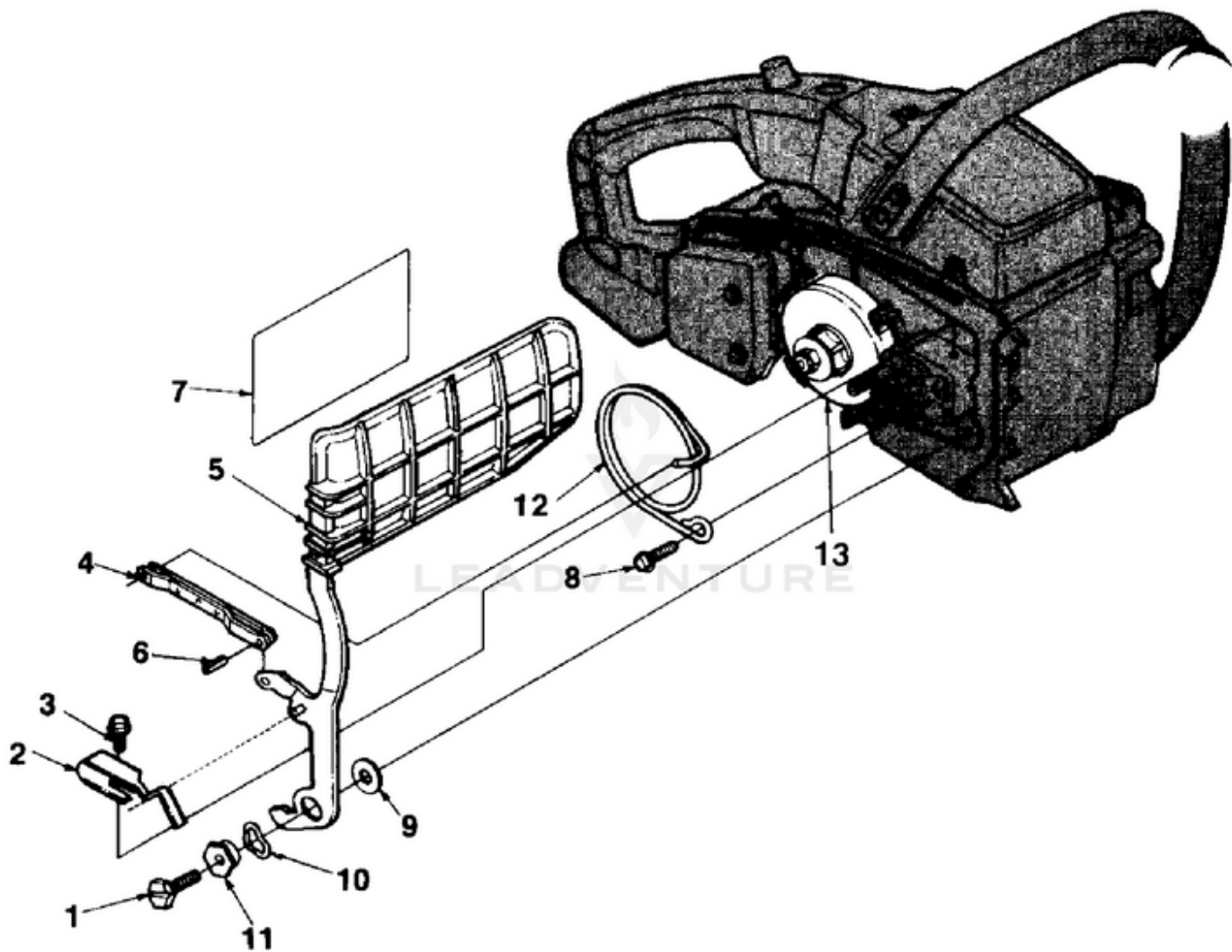
245 Chain Saw UT-10637 10637-UT 245 Chain Saw UT-10637 245 Chain Saw - Air Filter & Handles & Oil Pump



Rendered by LeadVenture, Inc.

Ref #	Part #	Description	Qty
1	80870	SCREW- 10-32 x 3/8	1
2	84003	WASHER- Flat #10	2
3	96224	CHAMBER- Carburetor	1
4	97076	SPRING- Throttle lock	1
5	96213	INTERLOCK- Trigger	1
6	96225	COVER- Handle	1
7	97072	BUTTON- Oil pump	1
8	A95297	COVER- Air filter (245 SL only)	1
	97596	SCREW- Retaining	1
9	70771	SCREW- #10 x 3/4	5
10	81266	NUT- Hex (15/32 x 32)	1
11	96576	NUT- Speed	1
12	58409	RING- Retaining	1
13	95020	SPRING- Compression	1
14	95671	PIN- Throttle lock	1
15	70810	NUT- Square 10-24	3
16	95337	RETAINER- Nut	2
17	A96778	LINE- Pulse 3 1/4"	1
	95216	SPRING (not shown)	2
18	7031018	TUBING- (Oil outlet) 4 1/2" (Auto)	1
19	82312	SCREW- Plastic #10 x 5/8	1
20	A93573A	GUARD- Hand (w/cover) (245HG only)	1
21	95217	SCREW- Retaining	1
22	A97524	BODY- Oil pump	1
23	69447	SPRING- Oil pump	1
24	A95070	PLUNGER- Oil pump	1
25	96480	"O" RING	1
26	94919	COVER- Oil pump	1
27	82380	SCREW- Plastite #8-16 x 5/8	2
28	95375	RETAINER- Nut	1
29	96818	SCREW- Soc. hd. cap(10-24 x 1 5/8)	1
30	96210	GROMMET	1
31	96209	TRIGGER- Throttle	1
32	97096	CABLE- Control	1
33	97081	PUMP- Manual oil	1
34	7031027	TUBING- 6 3/4"	2
35	96953	COVER- Air filter	1
36	95217	SCREW- Retaining	1
37	96952	FILTER- Air	1
38	96176	SCREW- Mach/hex 10-24 x 1 5/8	2
39	96951	BASE- Air filter	1

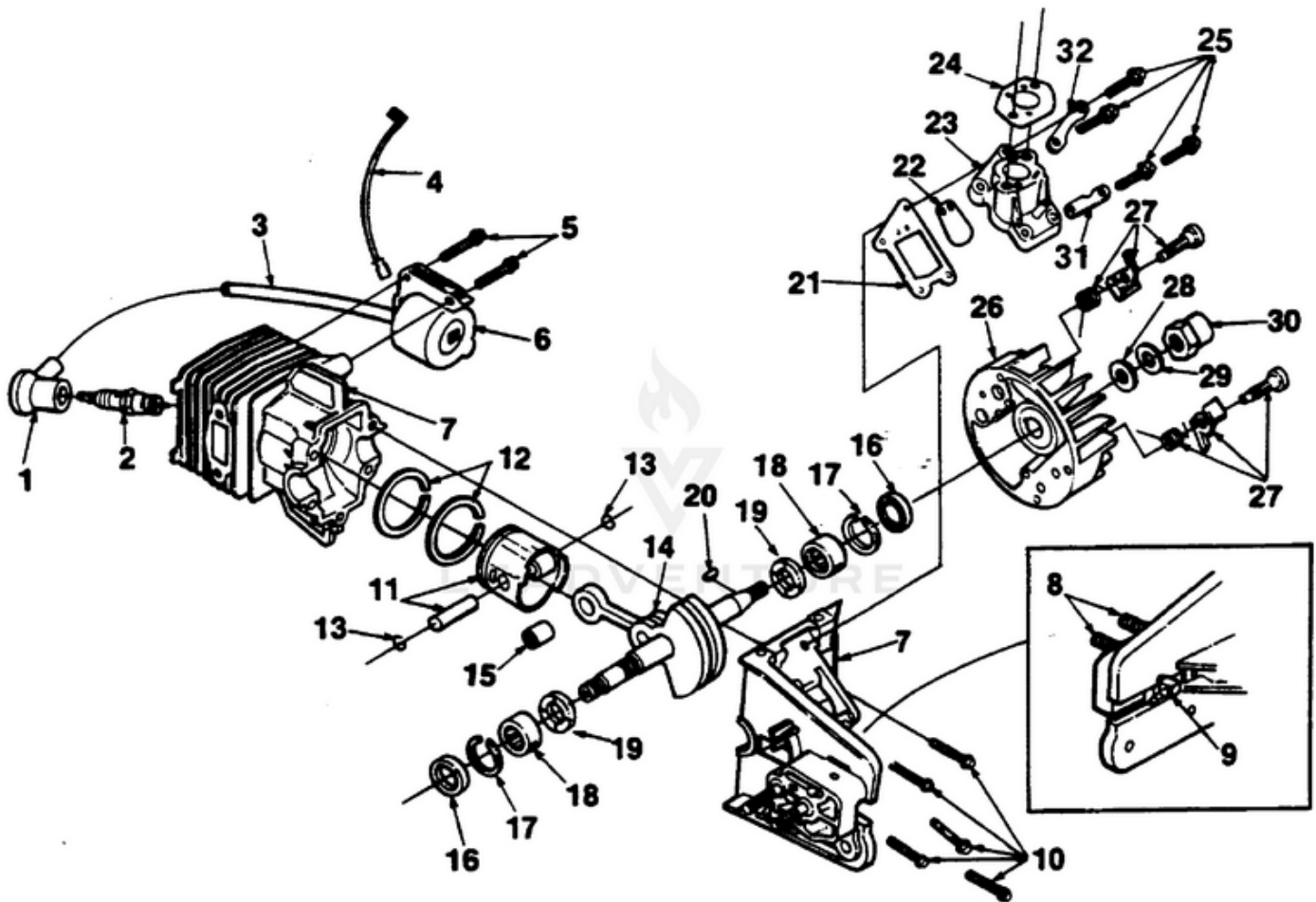
Ref #	Part #	Description	Qty
40	A97167	CARBURETOR- (Zama CIS-H8)	1
	A97168	CARBURETOR- (Walbro WT-19)	1
41	81256	NUT- Lock hex (10-24)	1
42	96053	ISOLATOR- Shear	1
43	70432A	RING- Vibration isolator	2
44	95868	ISOLATOR	1
45	70433	SPACER-	1
46	82218	SCREW- Hex (10-24 x 1 1/8)	2
47	96901	PLATE- Handle bar	1
48	97600	DECAL- Warning	1
49	97679	SLEEVE	1



Rendered by LeadVenture, Inc.

Ref #	Part #	Description	Qty
1	80048	SCREW- Hex cap 1/4-20 x 5/8	1
2	95406	CLIP- Retaining	1
3	88048	SCREW- Hex Sems 10-24 x 3/8	1
4	A70767	LINK- Pivot	1
5	A97179	HAND GUARD	1
6	95395	PIN- Roll	1
7	96990	DECAL	1
8	88050	SCREW- Hex Sems 10-24 x 5/8	1
9	95397	WASHER- Thrust	1
10	95486	WASHER- Curved	1
11	96170	CAM- Brake lever	1
12	95482	BAND- Brake	1
13	A97056	SPROCKET & DRUM .325P-8T	1
	68512	BEARING (not shown)	1

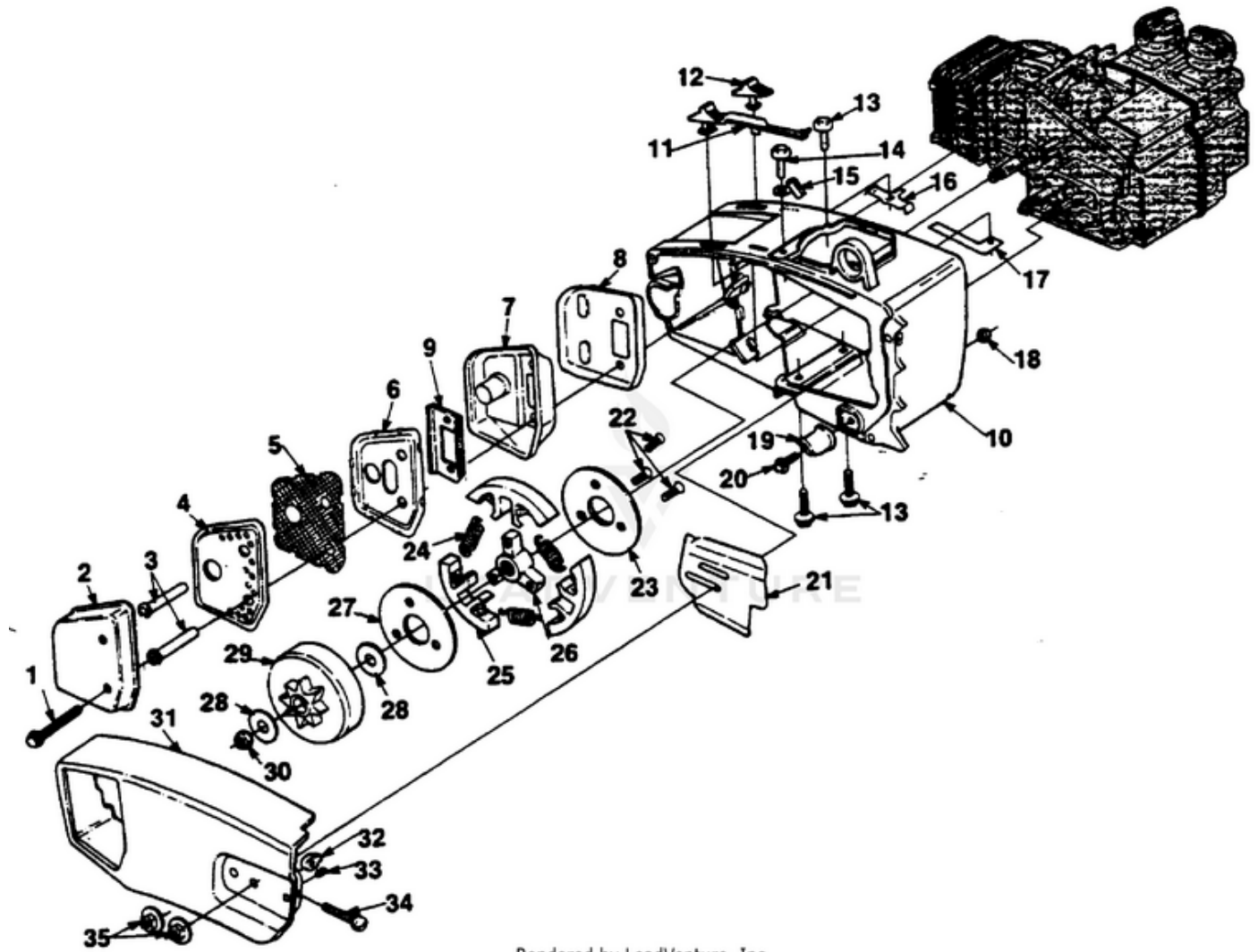
245 Chain Saw UT-10637 10637-UT 245 Chain Saw UT-10637 245 Chain Saw - Engine Internals



Rendered by LeadVenture, Inc.

Ref #	Part #	Description	Qty
1	A94754	TERMINAL- High tension lead	1
2	96169S	SPARK PLUG (DJ-7Y)	1
3	69326	LEAD- High tension	1
4	A96378	LEAD- Ground	1
5	82430	SCREW- Mach., hex hd. 8-32 x 7/8	2
6	947111	MODULE- Ignition	1
7	A96753A	CRANKCASE & CYLINDER	1
8	96083	BOLT- Guide bar	2
9	50558	FITTING	1
10	96624	SCREW- 10-24 x 1 1/8	5
11	A96751A	PISTON & PIN	1
12	94916	PISTON RINGS	2
13	65261	RING- Retaining	2
14	A96752	CRANKSHAFT	1
15	97125	BEARING- Needle	1
16	94638	SEAL- Shaft	2
17	68514	RING- Retaining	2
18	12530	BEARING- Needle	2
19	95492	BEARING- Thrust	2
20	69250	KEY- Magneto	1
21	94873	GASKET- Manifold	1
22	95983	REED	1
23	948721	MANIFOLD- Intake	1
24	95022A	GASKET- Carburetor	1
25	82291	SCREW- Hex washer 8-32 x 5/8	4
26	A95007	ROTOR- Magneto	1
27	A70285D	PAWL- Starter	1
28	84065	WASHER- Flat 5/16	1
29	83002	WASHER- Lock 5/16	1
30	96255	NUT- Guide	1
31	96540	WASHER- Intake manifold	1
32	96539	WASHER- Intake manifold	1

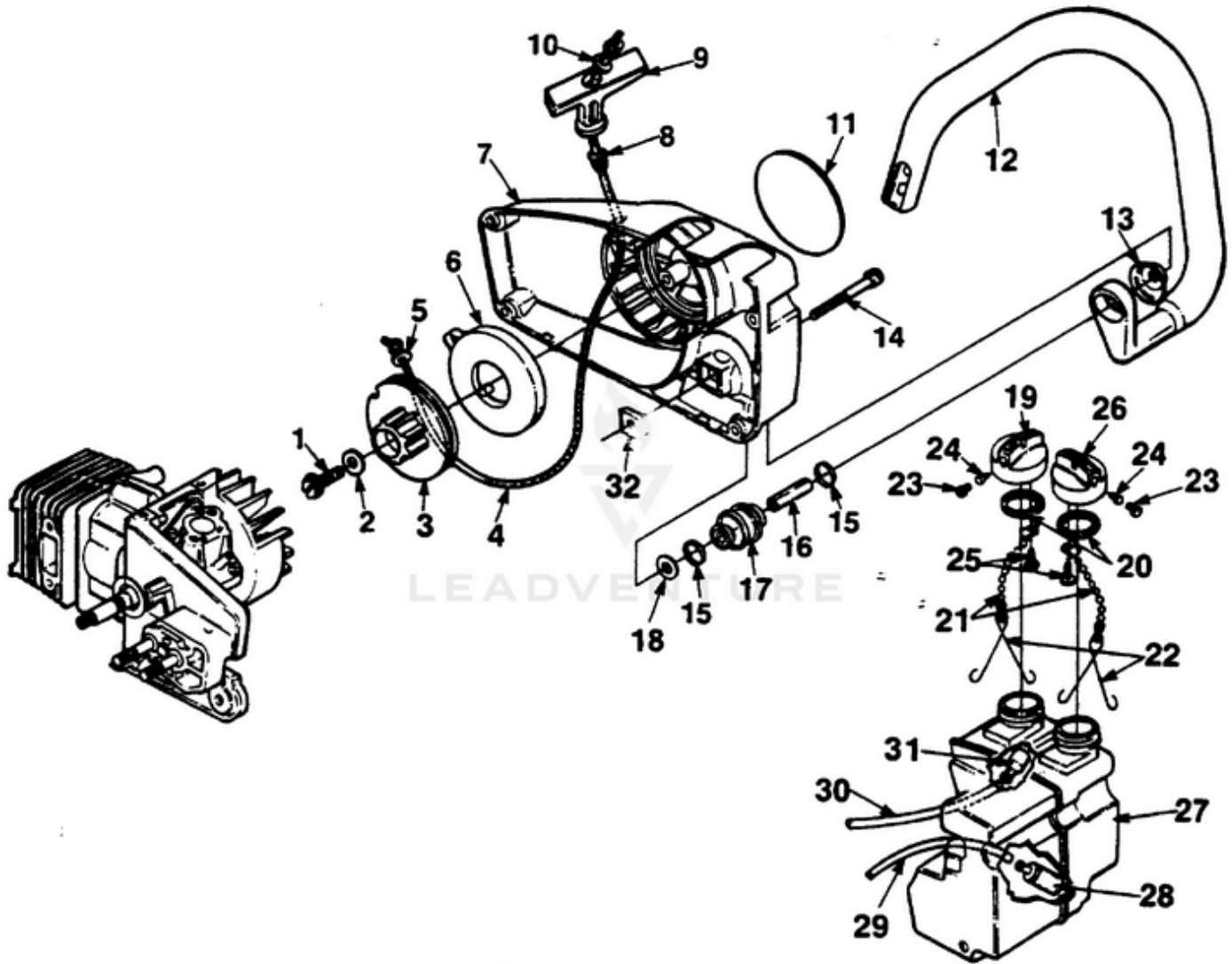
245 Chain Saw UT-10637 10637-UT 245 Chain Saw UT-10637 245 Chain Saw - Muffler & Clutch & Housing



Rendered by LeadVenture, Inc.

Ref #	Part #	Description	Qty
	A96931	MUFFLER- Complete	1
1	95005	SCREW	2
2	948871	CAP- Muffler	1
3	9398308	SPACER	2
4	96928	BAFFLE- Muffler	1
5	956371	SCREEN- Spark arrestor	1
6	948881	BAFFLE- Muffler	1
7	A96930	BODY- Muffler	1
8	96925	DEFLECTOR- Exhaust	1
9	94889	PLATE- Muffler	1
10	A96754	HOUSING- Engine	1
11	95050	BUTTON- Choke	1
12	95086A	BUTTON- Stop switch	1
13	88063	SCREW- Hex Sems 10-24 x 5/8	3
14	88050	SCREW- 10-24 x .625	1
15	94864	BRACKET- Cable	1
16	95087	SPRING- Stop switch	1
17	95091	CONTACT- Stop switch	1
18	81256	NUT- Lock 10-24	1
19	95212	STOP- Chain	1
20	82298	SCREW- Mach hex 10-24 x 5/8	1
21	95390	PLATE- Guide bar	1
22	97605	SCREW- Flat hd. 7/16-18	3
23	969191	COVER- Clutch (outer)	1
24	97053	SPRING- Ext.	3
25	A96749	SHOE- Clutch	3
26	96748	SPIDER- Clutch	1
27	96919	COVER- Clutch (inner)	1
28	95299	WASHER- Thrust	2
29	A97172	SPROCKET & DRUM (37/375 chain only) 6T	1
	A97056	SPROCKET & DRUM (325P, 8T)	1
	68512	BEARING- Needle	1
	A96522	SPROCKET & DRUM w/bearing (optional)	1
	A95458	SPROCKET & DRUM 3/8", 7T	1
	64124	BEARING- Needle	1
	65746B	RACE- Inner	1
30	81112	NUT- Lock 5/16-24	1
31	A97057	COVER- Drivecase	1
32	692541A	PIN- Guide bar adjusting	1
33	93574	"E" RING	1
34	93575	SCREW- Guide bar adjusting	1
35	81258	NUT- Flange 1/4-20	2

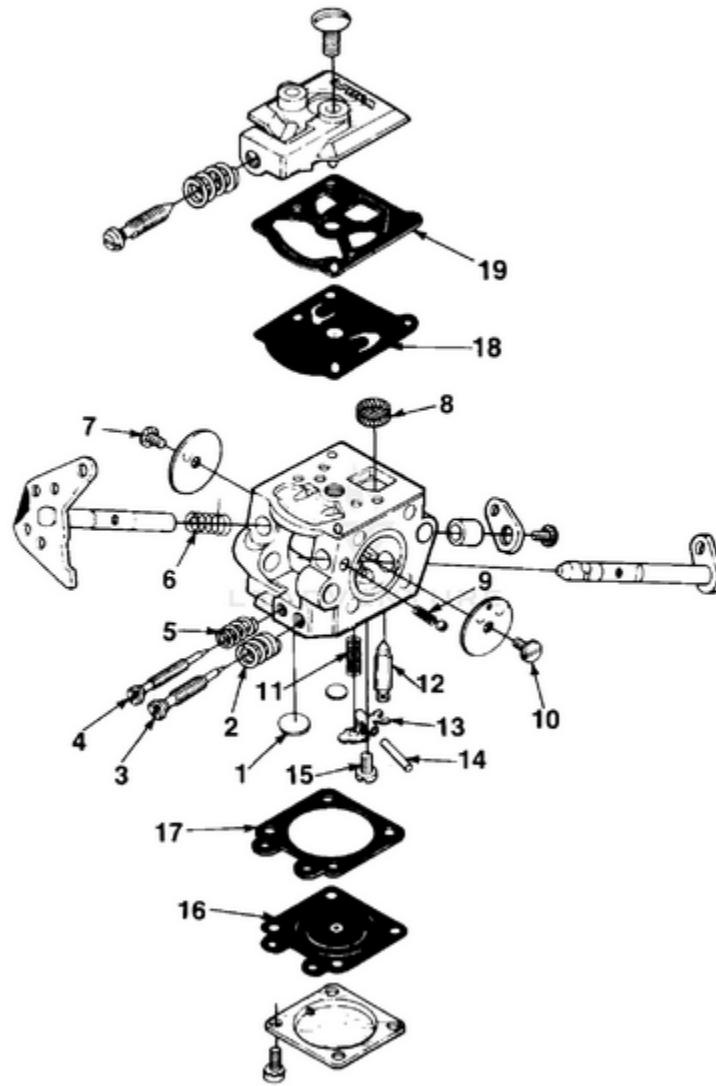
245 Chain Saw UT-10637 10637-UT 245 Chain Saw UT-10637 245 Chain Saw - Starter, Fuel & Oil Tank



Rendered by LeadVenture, Inc.

Ref #	Part #	Description	Qty
1	70771	SCREW- #10 x 3/4	1
2	94062	WASHER- Retainer	1
3	69158A	PULLEY- Starter	1
4	A93874A	ROPE- Starter #4 3/4"	1
5	93862	WASHER- Nylon	1
6	A95233	SPRING & CONTAINER	1
7	A95210A	HOUSING- Starter	1
8	969811A	BUSHING- Starter hsg.	1
9	70211	GRIP- Starter rope	1
10	84025	WASHER- Flat #8	1
11	97052	DECAL-"245"	1
12	95931	HANDLE BAR	1
13	70440A	WASHER- Vibration isolator	1
14	96818	SCREW- Soc. hd. cap (10-24 x 1 5/8)	1
15	70432A	RING- Vibration isolator	2
16	70433	SPACER	1
17	95868	ISOLATOR	1
18	95249	WASHER- Flat	1
19	A96957	CAP- Oil	1
20	94494	GASKET- Filler cap	1
21	69502	BEAD- Chain	1
22	96535	RETAINER	1
23	69454	FILTER- Fuel cap	1
24	69451	VALVE	1
25	82256	SCREW- Pan hd.	1
26	A96936	CAP- Fuel	1
27	A97141	TANK- Fuel & oil	1
28	96639	FILTER- Fuel	1
29	7031026	TUBING- Fuel 6 1/2"	1
30	7031027	TUBING- Oil outlet 6 3/4"	1
31	A68593	FILTER- Oil	1
32	95213	NUT- Square 10-24	1

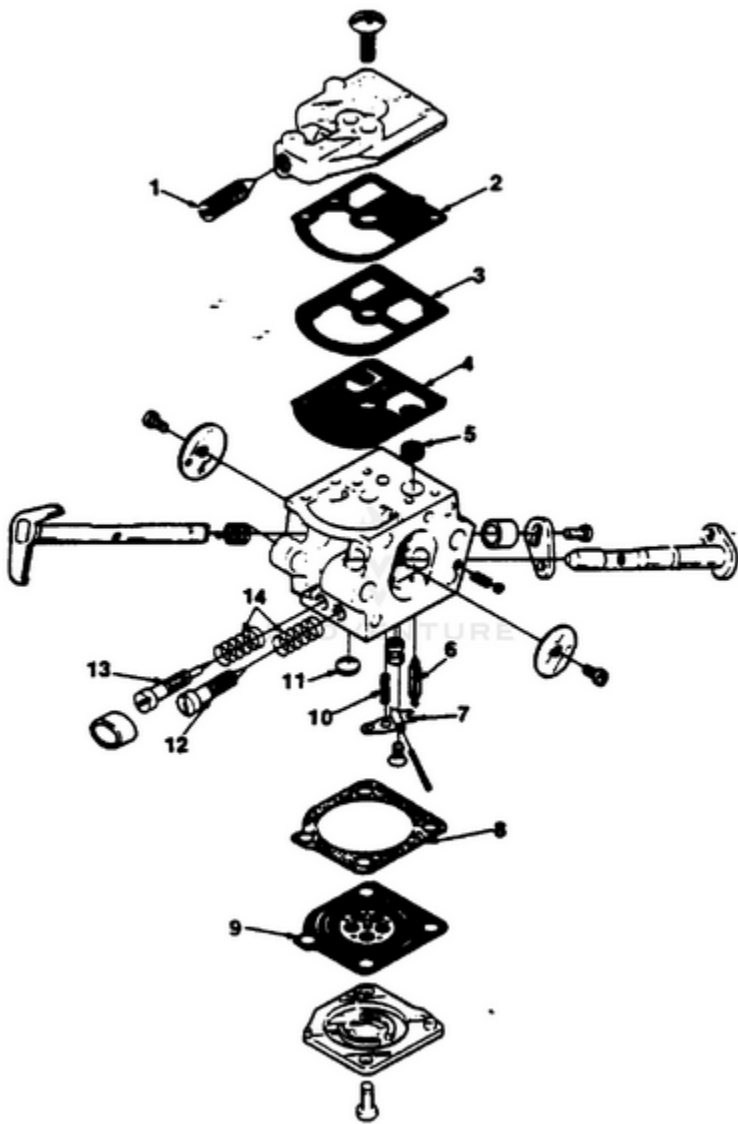
245 Chain Saw UT-10637 10637-UT 245 Chain Saw UT-10637 245 Chain Saw - Walbro Carburetor



Rendered by LeadVantage, Inc.

Ref #	Part #	Description	Qty
1	96986	REPAIR KIT	1
2	96986	REPAIR KIT	1
3	96986	REPAIR KIT	1
4	96986	REPAIR KIT	1
5	96986	REPAIR KIT	1
6	96986	REPAIR KIT	1
7	96986	REPAIR KIT	1
8	96986	REPAIR KIT	1
9	96986	REPAIR KIT	1
10	96986	REPAIR KIT	1
11	96986	REPAIR KIT	1
12	96986	REPAIR KIT	1
	96915	INLET NEEDLE	1
13	96986	REPAIR KIT	1
14	96986	REPAIR KIT	1
15	96986	REPAIR KIT	1
16	96986	REPAIR KIT	1
	96944	GASKET/DIA-KIT	1
17	96986	REPAIR KIT	1
	96944	GASKET/DIA-KIT	1
18	96986	REPAIR KIT	1
	96944	GASKET/DIA-KIT	1
19	96986	REPAIR KIT	1
	96944	GASKET/DIA-KIT	1

245 Chain Saw UT-10637 10637-UT 245 Chain Saw UT-10637 245 Chain Saw - Zama Carburetor



Rendered by LeadVenture, Inc.

Ref #	Part #	Description	Qty
1	96646A	REPAIR KIT	1
2	96646A	REPAIR KIT	1
3	96646A	REPAIR KIT	1
4	96646A	REPAIR KIT	1
5	96646A	REPAIR KIT	1
6	96646A	REPAIR KIT	1
7	96646A	REPAIR KIT	1
8	96646A	REPAIR KIT	1
9	96646A	REPAIR KIT	1
10	96646A	REPAIR KIT	1
11	96646A	REPAIR KIT	1
12	96646A	REPAIR KIT	1
13	96646A	REPAIR KIT	1
14	96646A	REPAIR KIT	1

TOOLS

SILASTIC (Crankcase sealing)	24823
LOCTITE	23488-C
PULLER- Magneto rotor	A-24747-A
Includes:	
BOLT- 5/16-18 x 1 3/4 (1)	80288
NUT- Hex 5/16-18 (2)	81196
WRENCH- Spanner (clutch)	A-93791
Includes:	
PIN- Clutch spanner	23717-A
WRENCH- Combination	A-17705
TOOL- Clutch	A-17770

ACCESSORIES

GREASE- Multi use	17193
TUBING- 10 ft. (Fuel & Oil)	70310-99
SAFE•T•TIP- (Standard on units)	DA-70776-A
Includes:	
SCREW- (Special)	93695
TUBING- 10 ft. (pulse line)	95201-99
ROPE- Starter 250 ft. #4	68848
BUMPER- Spiked	A-97046
Includes:	
SCREW- Mach-flat	80310
SCREW- (10-24 x 1/2)	80672
NUT- Locking hex	81256

Rendered by LeadVenture, Inc.

Ref #	Part #	Description	Qty
24823	24823	SILASTIC (Crankcase sealing)	1
23488C	23488C	LOCTITE	1
A24747A	A24747A	PULLER- Magneto rotor	1
80288	80288	BOLT- 5/16-18 x 1 3/4 (1)	1
81196	81196	NUT- Hex 5/16-18 (2)	1
A-93791	A93791	CLUTCH TOOL	1
23717A	23717A	PIN- Clutch spanner	1
A-17705	A17705	USE UP05954	1
A-17770	A-17770	TOOL- Clutch	1
17193	17193	GREASE- Multi use	1
7031099	7031099	TUBING- 10 ft. (Fuel & Oil)	1
DA-70776-A	DA70776A	SAFE-T-TIP- (Standard on units)	1
93695	93695	SCREW- (Special)	1
9520199	9520199	TUBING- 10 ft. (pulse line)	1
68848	68848	ROPE- Starter 250 ft. #4	1
A-97046	A-97046	BUMPER- Spiked	1
80310	80310	SCREW- Mach-flat	1
80672	80672	SCREW- (10-24 x 1/2)	1
81256	81256	NUT- Locking hex	1