

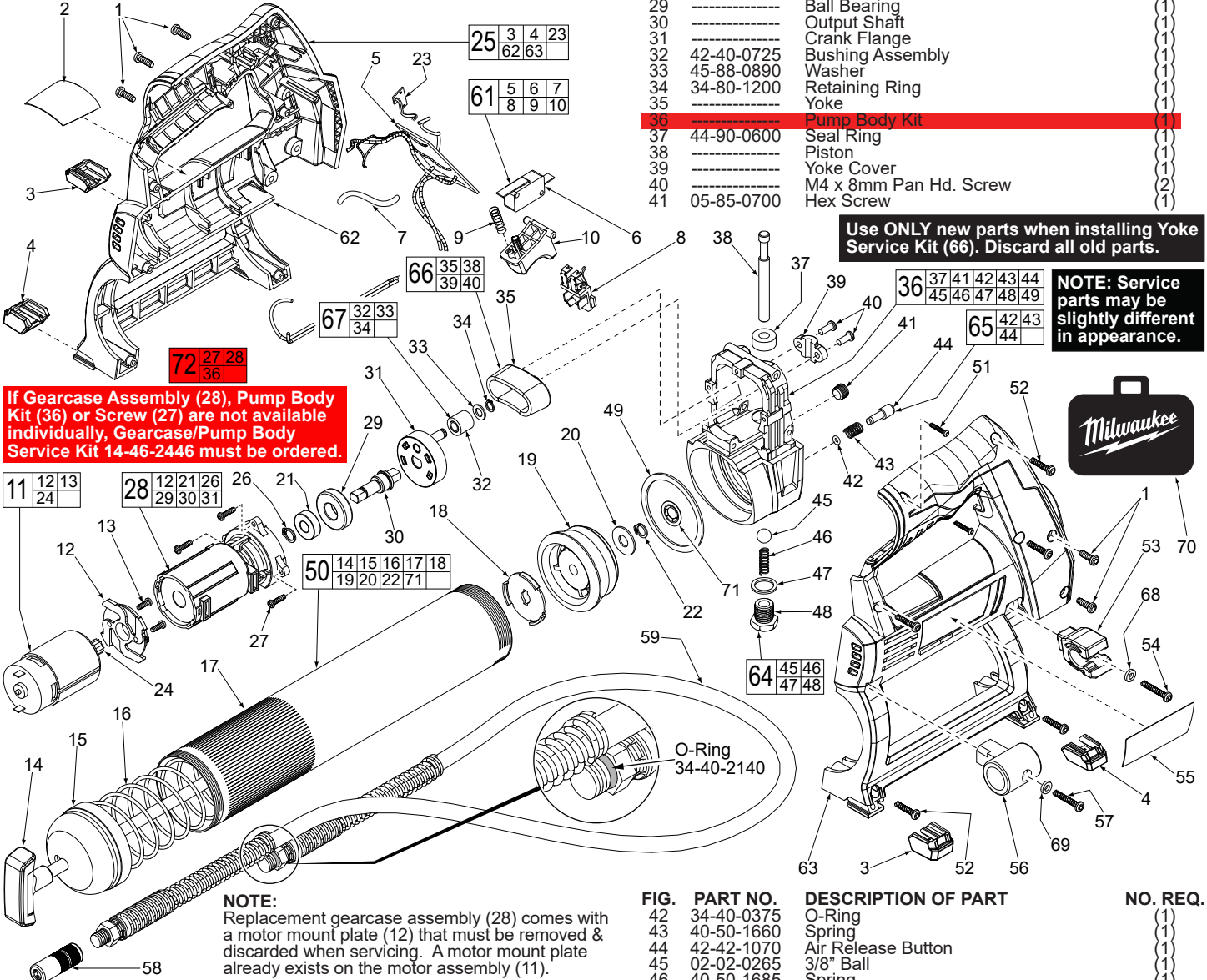


# SERVICE PARTS LIST

BULLETIN NO.  
54-06-2440

|  |                |                     |                         |
|--|----------------|---------------------|-------------------------|
| SPECIFY CATALOG NO. AND SERIAL NO. WHEN ORDERING PARTS |                | REVISED BULLETIN    | DATE                    |
| <b>12 Volt Grease Gun</b>                              |                |                     | Aug. 2021               |
| CATALOG NO.  | <b>2446-20</b> | STARTING SERIAL NO. | <b>C39A</b>             |
|  |                | WIRING INSTRUCTION  | <b>See Reverse Side</b> |

**EXAMPLE:**  
00 0 Component Parts (Small #) Are Included  
When Ordering The Assembly (Large #).



| FIG. | PART NO.   | DESCRIPTION OF PART                        | NO. REQ. |
|------|------------|--|----------|
| 1    | 05-74-0985 | M4 x 12 Pan Hd. Taptite T-20 Screw         | (5)      |
| 2    | 10-15-1390 | Warning Label                              | (1)      |
| 3    | 44-52-1060 | Pad - Left Front and Right Rear (Set of 2) | (1)      |
| 4    | 44-52-1070 | Pad - Left Rear and Right Front (Set of 2) | (1)      |
| 5    | -----      | PCBA with wiring                           | (1)      |
| 6    | 23-66-2885 | Switch                                     | (1)      |
| 7    | -----      | 18 Gauge Red Wire                          | (1)      |
| 8    | -----      | Battery Connector Block                    | (1)      |
| 9    | 40-50-4520 | Spring                                     | (1)      |
| 10   | 45-72-0300 | Trigger                                    | (1)      |
| 11   | 23-30-0600 | Motor Assembly                             | (1)      |
| 12   | -----      | Motor Mount Plate                          | (1)      |
| 13   | 05-81-0205 | M3 x 6 Pan Hd. Screw                       | (2)      |
| 14   | 44-94-0650 | Plunger Rod with Rod                       | (1)      |
| 15   | -----      | Barrel Tube Cover                          | (1)      |
| 16   | -----      | Barrel Spring                              | (1)      |
| 17   | -----      | Barrel                                     | (1)      |
| 18   | 44-66-1525 | Stamping Plate                             | (1)      |
| 19   | 45-06-0890 | Rubber Seal                                | (1)      |
| 20   | 45-88-2030 | Washer                                     | (1)      |
| 21   | -----      | Spacer                                     | (1)      |
| 22   | 44-86-1380 | Retaining Ring                             | (1)      |
| 23   | -----      | Fuel Gauge                                 | (1)      |
| 24   | -----      | Motor Pinion                               | (1)      |
| 25   | 31-50-2700 | Housing Assembly Kit                       | (1)      |
| 26   | 44-86-1380 | Retaining Ring                             | (1)      |
| 27   | -----      | M3 x 12 Pan Hd. Screw                      | (3)      |

| FIG. | PART NO.   | DESCRIPTION OF PART                    | NO. REQ. |
|------|------------|--|----------|
| 28   | -----      | Gearcase Assembly                      | (1)      |
| 29   | -----      | Ball Bearing                           | (1)      |
| 30   | -----      | Output Shaft                           | (1)      |
| 31   | -----      | Crank Flange                           | (1)      |
| 32   | 42-40-0725 | Bushing Assembly                       | (1)      |
| 33   | 45-88-0890 | Washer                                 | (1)      |
| 34   | 34-80-1200 | Retaining Ring                         | (1)      |
| 35   | -----      | Yoke                                   | (1)      |
| 36   | -----      | Pump Body Kit                          | (1)      |
| 37   | 44-90-0600 | Seal Ring                              | (1)      |
| 38   | -----      | Piston                                 | (1)      |
| 39   | -----      | Yoke Cover                             | (1)      |
| 40   | -----      | M4 x 8mm Pan Hd. Screw                 | (2)      |
| 41   | 05-85-0700 | Hex Screw                              | (1)      |
| 42   | 34-40-0375 | O-Ring                                 | (1)      |
| 43   | 40-50-1660 | Spring                                 | (1)      |
| 44   | 42-42-1070 | Air Release Button                     | (1)      |
| 45   | 02-02-0265 | 3/8" Ball                              | (1)      |
| 46   | 40-50-1685 | Spring                                 | (1)      |
| 47   | 45-88-0905 | Copper Washer                          | (1)      |
| 48   | 45-04-1010 | Plug Screw                             | (1)      |
| 49   | 43-44-1100 | Rubber Gasket                          | (1)      |
| 50   | 30-06-0200 | Barrel Assembly                        | (1)      |
| 51   | 06-82-2385 | M2.6 x 14 Pan Hd. T-8 Screw            | (2)      |
| 52   | 06-82-7470 | 6 x 11/16" Pan Hd. Plastite T-15 Screw | (5)      |
| 53   | 43-75-0500 | Grease Hose Holster                    | (1)      |
| 54   | 05-81-1275 | M4 x 20 Pan Hd. Taptite T-20 Screw     | (1)      |
| 55   | 12-20-2446 | Service Nameplate Kit                  | (1)      |
| 56   | 42-90-0575 | Coupler Holster                        | (1)      |
| 57   | 06-82-7475 | 6 x 7/8" Pan Hd. Plastite T-15 Screw   | (1)      |
| 58   | 42-90-0700 | Coupler Assembly                       | (1)      |
| 59   | 14-37-0300 | Grease Hose Assembly                   | (1)      |
| 61   | 23-66-2890 | Switch Assembly                        | (1)      |
| 62   | -----      | Left Housing Half                      | (1)      |
| 63   | -----      | Right Housing Half                     | (1)      |
| 64   | 45-04-1030 | Plug Screw Kit                         | (1)      |
| 65   | 42-42-1080 | Air Release Kit                        | (1)      |
| 66   | 45-98-0301 | Yoke Kit                               | (1)      |
| 67   | 42-40-1150 | Bushing Kit                            | (1)      |
| 68   | -----      | Spring Washer                          | (1)      |
| 69   | -----      | Washer                                 | (1)      |
| 70   | 42-55-2446 | Soft Carrying Case                     | (1)      |
| 71   | 44-86-1400 | Self-Locking Retaining Ring            | (1)      |
| 72   | 14-46-2446 | Gearcase/Pump Body Service Kit         | (1)      |

MILWAUKEE TOOL • www.milwaukeetool.com  
13135 W. LISBON RD., BROOKFIELD, WI 53005  
Drwg. 6