



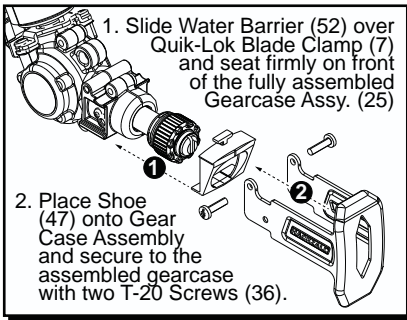
# SERVICE PARTS LIST

BULLETIN NO.  
55-40-6514

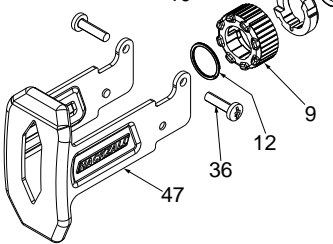
SPECIFY CATALOG NO. AND SERIAL NO. WHEN ORDERING PARTS		REVISED BULLETIN	DATE
<b>M12™ Hackzall®</b>		55-40-6513	Mar. 2016
CATALOG NO.	<b>2420-059</b>	WIRING INSTRUCTION <b>SEE PAGE THREE</b>	
STARTING SERIAL NO.	<b>D25E</b>		

**EXAMPLE:**  
00 0  
Component Parts (Small #)  
Are Included When Ordering  
The Assembly (Large #).

★ = Part number change from  
previous service parts list.

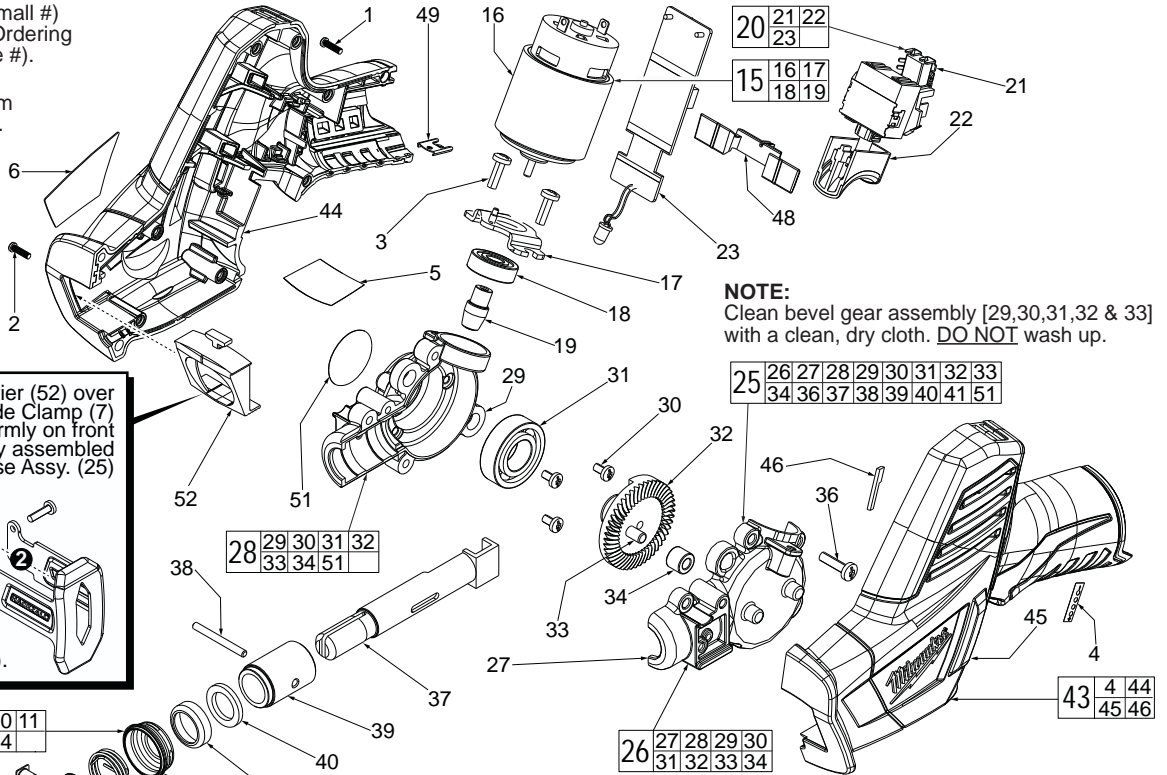


Lock Pin (14)  
to be coated with graphite  
prior to  
assembly.



**NOTE:**  
Gearcase Set 14-30-0035 (26)  
is being discontinued. When  
inventory has been depleted,  
items (27) 28-14-0020, Left  
Gearcase and (28) 14-30-0925,  
Right Gearcase Kit must be  
ordered together as a  
replacement.

FIG.	PART NO.	DESCRIPTION OF PART	NO. REQ.
1	06-82-2395	M2.6 x 10 Pan Hd. T-9 Screw	(3)
2	06-82-2385	M2.6 x 14 Pan Hd. T-9 Screw	(5)
3	06-82-2380	8-32 x 1/2" Pan Hd. Tapt. T-20 Screw	(2)
4	10-20-0304	Fuel Gauge Label	(1)
5	10-15-0955	Warning Label	(1)
6	-----	Service Nameplate Kit	(1)
7	14-46-1011	Steel Quik-Lok Blade Clamp	(1)
8	31-15-0511	Spring Cover	(1)
9	42-50-0076	Front Cam	(1)
10	42-50-0077	Rear Cam	(1)
11	45-22-0081	Sleeve	(1)
12	34-60-3680	Retaining Ring	(1)
13	40-50-0161	Torsion Spring	(1)
14	44-60-0626	Lock Pin	(1)
15	23-30-0020	Motor Assembly	(1)
★ 16	-----	Motor	(1)
17	-----	Motor Mounting Plate	(1)
18	-----	Ball Bearing	(1)
★ 19	-----	Pinion	(1)
★ 20	23-66-0318	Switch & PCB Assembly	(1)
21	-----	Terminal Block	(1)
22	-----	Switch	(1)
23	-----	PCB Assembly	(1)
25	28-14-0030	Gearcase Assembly	(1)
★ 26	14-30-0035	Gearcase Set	(1)
27	28-14-0020	Left Gearcase	(1)
★ 28	14-30-0925	Right Gearcase Kit	(1)
29	-----	Right Gearcase	(1)
30	-----	6-32 x 1/4" Pan Hd. Slit. T-15 Screw	(3)
★ 31	-----	Ball Bearing	(1)
32	-----	Bevel Gear	(1)



**NOTE:**

Clean bevel gear assembly [29,30,31,32 & 33]  
with a clean, dry cloth. **DO NOT** wash up.

FIG.	PART NO.	DESCRIPTION OF PART	NO. REQ.
33	-----	Drive Pin	(1)
34	44-86-0085	Bearing Sleeve	(1)
36	06-82-5320	8-32 x 5/8" Pan Hd Slit. T-20 Screw	(6)
37	38-50-0015	Spindle	(1)
38	06-65-0070	Spindle Guide Pin	(1)
39	42-40-0120	Bushing	(1)
40	45-06-0035	Felt	(1)
41	44-86-0095	Cap	(1)
43	31-44-0115	Handle Set	(1)
★ 44	-----	Right Handle Halve	(1)
★ 45	-----	Left Handle Halve	(1)
46	-----	Fuel Gauge LED	(1)
47	45-16-0040	Shoe	(1)
48	45-24-0150	Shuttle	(1)
49	42-70-0055	Housing Connection Clip	(1)
50	42-55-2420	Carrying Case, Optional	(1)
★ 51	23-70-3310	Aluminum Tape	(1)
★ 52	45-06-0010	Water Barrier	(1)

\* **LUBRICATION NOTE:** When servicing the Gears (19 & 32) or the Gearcase Assembly (25), 90-95% of the old grease must be removed prior to new 'J' grease being added.

FIG.	LUBRICATION (*See lubrication note above)
19,32	Completely coat all of the teeth of the Pinion (19) and Bevel Gear (32) with grease.
27,29	Place a small amount of grease in Gearcase cavities.
33,34	Lightly coat the Drive Pin (33) and I.D. and O.D. of Bearing Sleeve (34) with grease.
37	Place a dab of grease in the side slot and the rear pocket of Spindle (37).
37,39	Lightly coat the O.D. of Spindle (37) and I.D. of Bushing (39) with grease.
40,41	Saturate Felt (40) with lightweight oil prior to assembly with Cap (41) onto Bushing (39) and Spindle (37).

## Disassembly

3-15-25-36

Motor assembly [15] can be easily removed from gearcase assembly [25] by removing screws [3] and loosening two screws [36] from the motor ball bearing [18] area of gearbox [25]

5 - 43

Before separating housing set [43] carefully cut thru the center of warning label [5] following the seam of the housing halves

## Reassembly

15 - 17 -25

When reinstalling motor assembly [15] into gearcase assembly [25] make sure alignment pin side of motor mounting plate [17] faces top of Gearcase assembly [25] (Fig. A)

29 -38

Press spindle guide pin [38] flush to outside casting of right gearcase [29]

20 - 23 - 45

When reassembling switch assembly [20 / 23] into left motor housing half [45], place LED into housing first then position LED wiring into housing wire traps as shown in (Fig. B)

23 - 45 - 48

For proper back and forth movement of shuttle [48] PCB [23] must be inserted into left housing half [45] support slots as shown in (Fig. C)

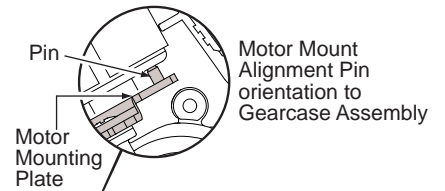


Fig. A

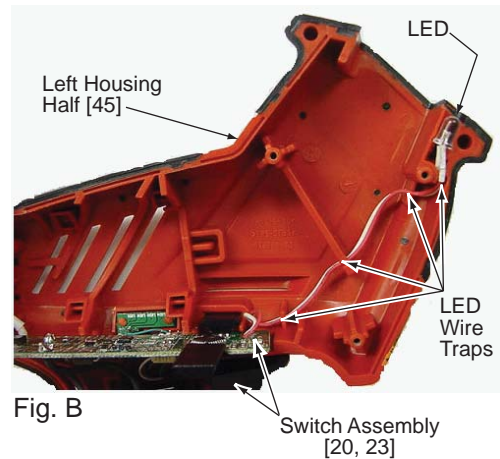


Fig. B

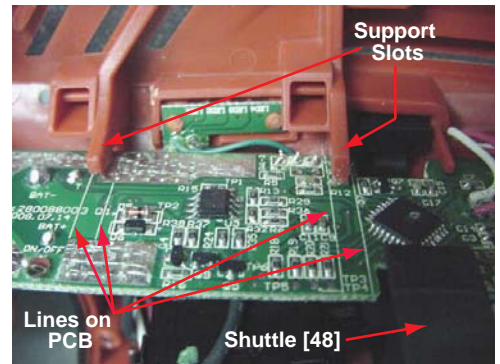


Fig. C

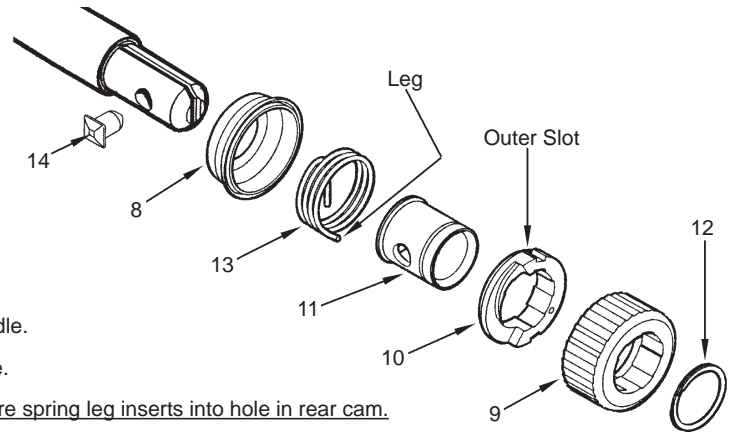
PCB Support slots found in Left Housing Half must align with lines on PCB for proper shuttle movement

### REMOVING THE STEEL QUIK-LOK® BLADE CLAMP

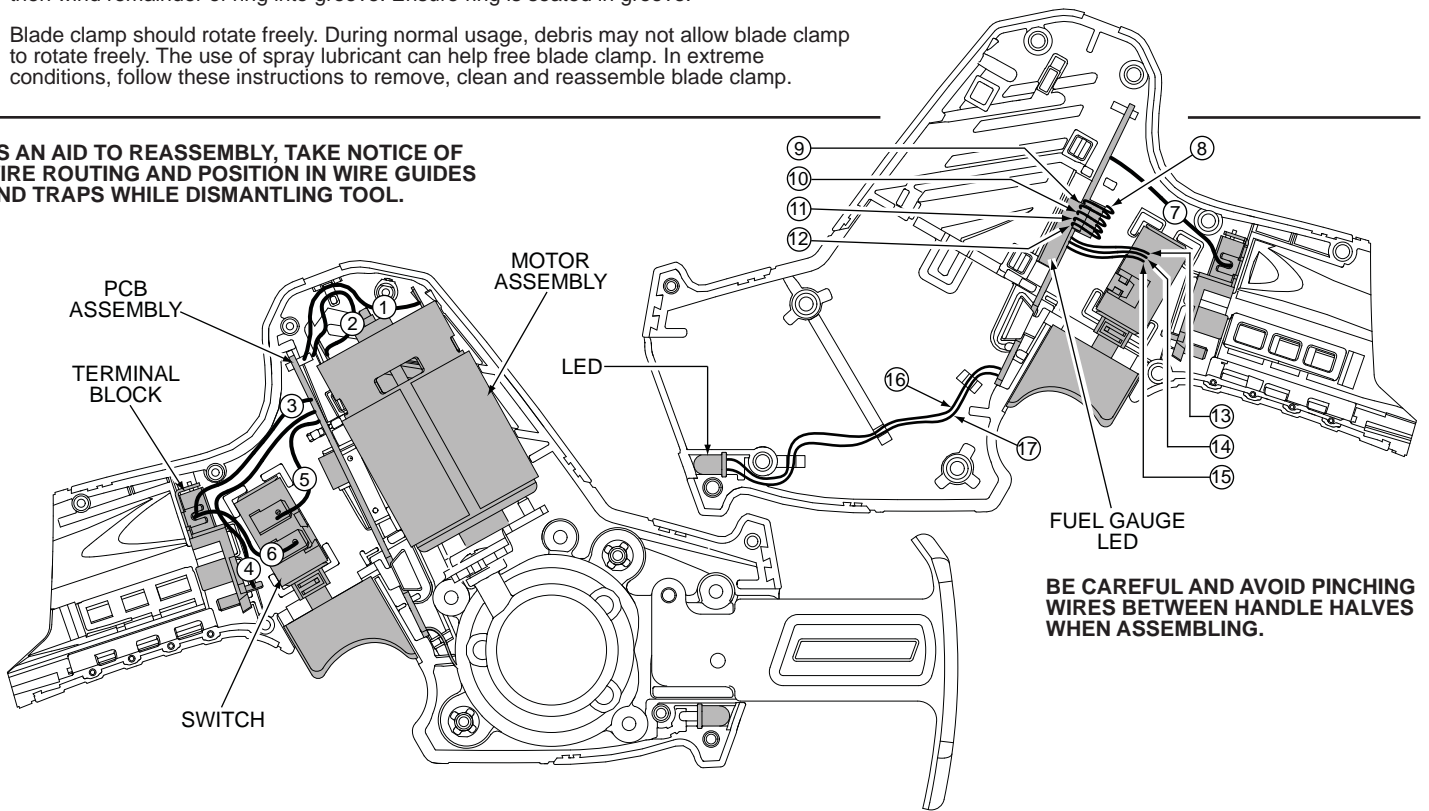
- Remove external retaining ring (12) and pull front cam (9) off.
- Pull lock pin (14) out and remove remainder of parts and discard.

### REASSEMBLY OF THE STEEL QUIK-LOK® BLADE CLAMP

- Coat new lock pin with powdered graphite.
- Hold tool in a vertical position.
- Place spring cover (8) onto spindle.
- Slide torsion spring (13) onto spindle with spring leg on hole side of spindle.
- Slide sleeve (11) onto spindle aligning hole on sleeve with hole in spindle.
- Slide rear cam (10) over sleeve until it bottoms on sleeve shoulder, ensure spring leg inserts into hole in rear cam.
- Rotate rear cam in the direction of the arrows located on spring cover until there is clearance for lock pin (14) to be inserted into sleeve/spindle holes. Insert lock pin.
- Align front cam (9) inner ribs with rear cam outer slots and slide front cam onto sleeve until it bottoms. Retaining ring (12) groove should be completely visible.
- Attach retaining ring by separating coils and inserting end of ring into groove, then wind remainder of ring into groove. Ensure ring is seated in groove.
- Blade clamp should rotate freely. During normal usage, debris may not allow blade clamp to rotate freely. The use of spray lubricant can help free blade clamp. In extreme conditions, follow these instructions to remove, clean and reassemble blade clamp.



AS AN AID TO REASSEMBLY, TAKE NOTICE OF WIRE ROUTING AND POSITION IN WIRE GUIDES AND TRAPS WHILE DISMANTLING TOOL.



BE CAREFUL AND AVOID PINCHING WIRES BETWEEN HANDLE HALVES WHEN ASSEMBLING.

### WIRING SPECIFICATIONS

Wire No.	Wire Color	Origin or Gauge	Length	Terminals, Connectors and 1 or 2 End Wire Preparation
1	Red	-----	-----	Component of the Switch & PCB Assembly.
2	White	-----	-----	Component of the Switch & PCB Assembly.
3	Red	-----	-----	Component of the Switch & PCB Assembly.
4	White	-----	-----	Component of the Switch & PCB Assembly.
5	Black	-----	-----	Component of the Switch & PCB Assembly.
6	Red	-----	-----	Component of the Switch & PCB Assembly.
7	Black	-----	-----	Component of the Switch & PCB Assembly.
8	Gray	-----	-----	Component of the Switch & PCB Assembly.
9	Green	-----	-----	Component of the Switch & PCB Assembly.
10	Red	-----	-----	Component of the Switch & PCB Assembly.
11	Black	-----	-----	Component of the Switch & PCB Assembly.
12	White	-----	-----	Component of the Switch & PCB Assembly.
13	Yellow	-----	-----	Component of the Switch & PCB Assembly.
14	Blue	-----	-----	Component of the Switch & PCB Assembly.
15	Black	-----	-----	Component of the Switch & PCB Assembly.
16	Red	-----	-----	Component of the Switch & PCB Assembly.
17	White	-----	-----	Component of the Switch & PCB Assembly.