



SERVICE PARTS LIST

BUL.54-12-6052

1-1/4" ELECTRIC DRILL

REVISED BUL
54-12-6051

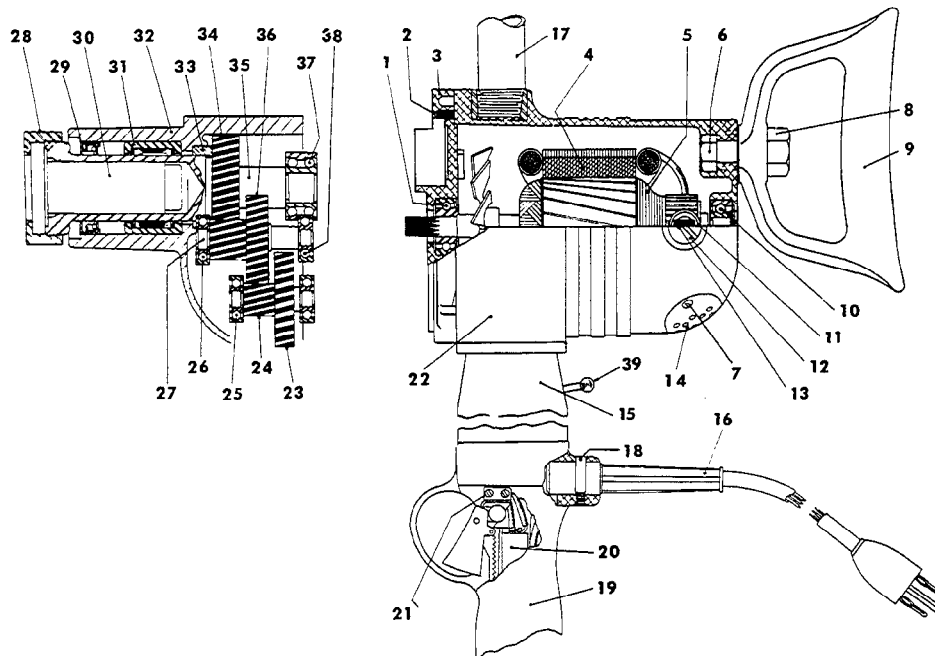
DATE
Jan. '74

Catalog No. 2400-1

Starting
Serial No. **171-2536**

WIRING INSTR.
58-01-0270

Both Model and Serial No. must be furnished to obtain correct parts.



ILLUSTRATED PARTS

FIG.	PART NO.	DESCRIPTION OF PART
1	02-04-1140	Ball Bearing
2	45-30-0070	Ball Brg. Retaining Slug
3	28-28-1181	Diaphragm
4	18-82-1070	Field Assembly
5	16-82-1231	Armature Assembly
6	06-75-0850	1/2-13x1-1/2 Spade Handle Bolt
7	06-81-8650	6-32x1/4 Rd.Hd.Sem Scrs.
8	06-55-2850	1/2-13 Spade Handle Jam Nut
9	28-44-7121	Spade Handle
10	02-04-1070	Ball Bearing
11	22-22-0015	Brush Holder Assembly
12	23-44-0030	Brush Retaining Screw
13	22-18-0055	Carbon Brush Assembly
14	44-66-0180	Air Intake Cover Plate
15	28-86-1401	Reversing Spacer
16	22-64-0075	Cord Set
17	43-62-0120	Pipe Handle
18	45-04-0100	Cord Retaining Screw
19	28-44-9241	Switch Handle

FIG.	PART NO.	DESCRIPTION OF PART
★20	23-66-0191	Switch
21	42-36-0230	Switch Bracket
22	28-50-4161	Motor Housing (includes fig. nos. 6 and 8)
23	32-42-1201	1st Intermediate Gear
24	36-66-0551	1st Intermediate Pinion Shaft
25	02-04-0910	Ball Bearing (2)
26	02-04-1210	Ball Bearing
27	36-66-0571	2nd Intermediate Pinion Shaft
28	42-52-0050	Taper Socket Cap
29	45-06-0080	Spindle Oil Seal
30	45-34-0050	Taper Socket
31	02-50-9640	Spindle Roller Bearing
32	28-14-0121	Gear Case
33	42-24-0070	Thrust Bearing
34	32-75-1261	Spindle Gear
35	38-50-0701	Spindle
36	32-44-1101	2nd Intermediate Gear
37	02-20-1720	Ball Bearing
38	02-04-1020	Ball Bearing
39	23-66-0340	Reversing Switch

MISCELLANEOUS PARTS NOT SHOWN

PART NO.	DESCRIPTION OF PART
12-99-0040	Name Plate
06-81-7900	1/4-20x1-1/2 Fil.Hd.Gear Case Scs.Sem (2)
06-81-1975	1/4-20x2-1/4 Fil.Hd.Gear Case Screws (2)
06-81-1150	10-24x3-1/8 Fil.Hd. Field Screws (2)
06-81-8650	6-32x1/4 Rd.Hd.Switch Mtg.Scs.Sem (2)
06-81-3400	6-32x1/4 Oval Hd.Switch Bracket Scs. (2)
06-81-7900	1/4-20x1-1/2 Fil.Hd.Switch Handle Scs.Sem (4)
06-85-0200	Name Plate Scrs. (2)
06-81-8625	6-32x1/4 Ground Scr. (2)
06-97-1800	Switch Lock Washer (4)
23-86-0060	Brush Holder Washer (2)

PART NO.	DESCRIPTION OF PART
06-97-2200	Lock Washers - for field screws (2)
06-97-3800	Lock Washers - for 06-81-1975 screws (2)
06-42-1200	Woodruff Key - for fig.no. 24
06-42-2000	Woodruff Key - for fig. no. 27
06-42-2400	Woodruff Key - for fig. no. 35
06-83-2650	1/4-20x3/8 Hd"less Brush Holder Set Scs. (2)
06-81-7800	1/4-20x3/4 Fil.Hd.Spacer Screws Sem (4)
23-16-0200	Insulator
23-16-0470	Switch Insulator
23-78-0100	Wire Tie

refer to wiring instructions for placement