



# SERVICE PARTS LIST

**BUL.54-12-6051**

**1-1/4" ELECTRIC DRILL**

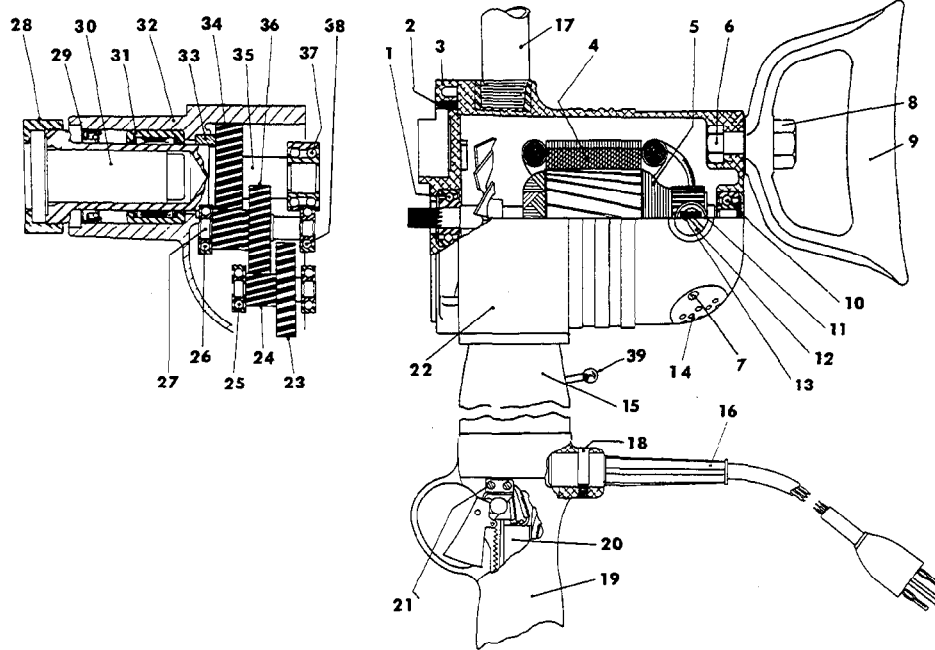
REVISED BUL 54-12-6050 DATE Oct. '72

**Catalog No. 2400-1**

Starting Serial No. **171-2086**

WIRING INSTR. **58-01-0270**

Both Model and Serial No. must be furnished to obtain correct parts.



ILLUSTRATED PARTS

FIG.	PART NO.	DESCRIPTION OF PART	FIG.	PART NO.	DESCRIPTION OF PART
1	02-04-1140	Ball Bearing	* 20	23-66-0190	Switch
2	45-30-0070	Ball Brg. Retaining Slug	21	42-36-0230	Switch Bracket
3	28-28-1181	Diaphragm	22	28-50-4161	Motor Housing (includes fig. nos. 6 and 8)
4	18-82-1070	Field Assembly	23	32-42-1201	1st Intermediate Gear
5	16-82-1231	Armature Assembly	24	36-66-0551	1st Intermediate Pinion Shaft
6	06-75-0850	1/2-13x1-1/2 Spade Handle Bolt	25	02-04-0910	Ball Bearing
7	06-81-8650	6-32x1/4 Rd.Hd.Sem Scrs.	26	02-04-1210	Ball Bearing
8	06-55-2850	1/2-13 Spade Handle Jam Nut	27	36-66-0571	2nd Intermediate Pinion Shaft
9	28-44-7121	Spade Handle	28	42-52-0050	Taper Socket Cap
10	02-04-1070	Ball Bearing	29	45-06-0080	Spindle Oil Seal
11	22-22-0015	Brush Holder Assembly	30	45-34-0050	Taper Socket
12	23-44-0030	Brush Retaining Screw	31	02-50-9640	Spindle Roller Bearing
13	22-18-0055	Carbon Brush Assembly	32	28-14-0121	Gear Case
14	44-66-0180	Air Intake Cover Plate	33	42-24-0070	Thrust Bearing
15	28-86-1401	Reversing Spacer	34	32-75-1261	Spindle Gear
* 16	22-64-0075	Cord Set	35	38-50-0701	Spindle
17	43-62-0120	Pipe Handle	36	32-44-1101	2nd Intermediate Gear
* 18	45-04-0100	Cord Retaining Screw	37	02-20-1720	Ball Bearing
* 19	28-44-9241	Switch Handle	38	02-04-1020	Ball Bearing
			39	23-66-0340	Reversing Switch

MISCELLANEOUS PARTS NOT SHOWN

PART NO.	DESCRIPTION OF PART	PART NO.	DESCRIPTION OF PART
* 12-99-0040	Name Plate	06-97-2200	Lock Washers - for field screws (2)
06-81-7900	1/4-20x1-1/2 Fil.Hd.Gear Case Scs.Sem (2)	06-97-3800	Lock Washers - for 06-81-1975 screws (2)
06-81-1975	1/4-20x2-1/4 Fil.Hd.Gear Case Screws (2)	06-42-1200	Woodruff Key - for fig.no. 24
06-81-1150	10-24x3-1/8 Fil.Hd. Field Screws (2)	06-42-2000	Woodruff Key - for fig. no. 27
06-81-8650	6-32x1/4 Rd.Hd.Switch Mtg.Scs.Sem (2)	06-42-2400	Woodruff Key - for fig. no. 35
06-81-3400	6-32x1/4 Oval Hd.Switch Bracket Scs. (2)	06-83-2650	1/4-20x3/8 Hd'less Brush Holder Set Scs. (2)
06-81-7900	1/4-20x1-1/2 Fil.Hd.Switch Handle Scs.Sem (4)	06-81-7800	1/4-20x3/4 Fil.Hd.Spacer Screws Sem (4)
06-85-0200	Name Plate Scrs. (2)	23-16-0200	Insulator
06-81-8625	6-32x1/4 Ground Scr. (2)	23-16-0470	Switch Insulator
06-97-1800	Switch Lock Washer (4)	23-48-7380	Sleeving
23-86-0060	Brush Holder Washer (2)	23-78-0100	Wire Tie

refer to wiring instructions for placement