

Cordless Screw Driver - F 015 236 0A1 - 2360 H1

www.powertools-aftersaleservice.com



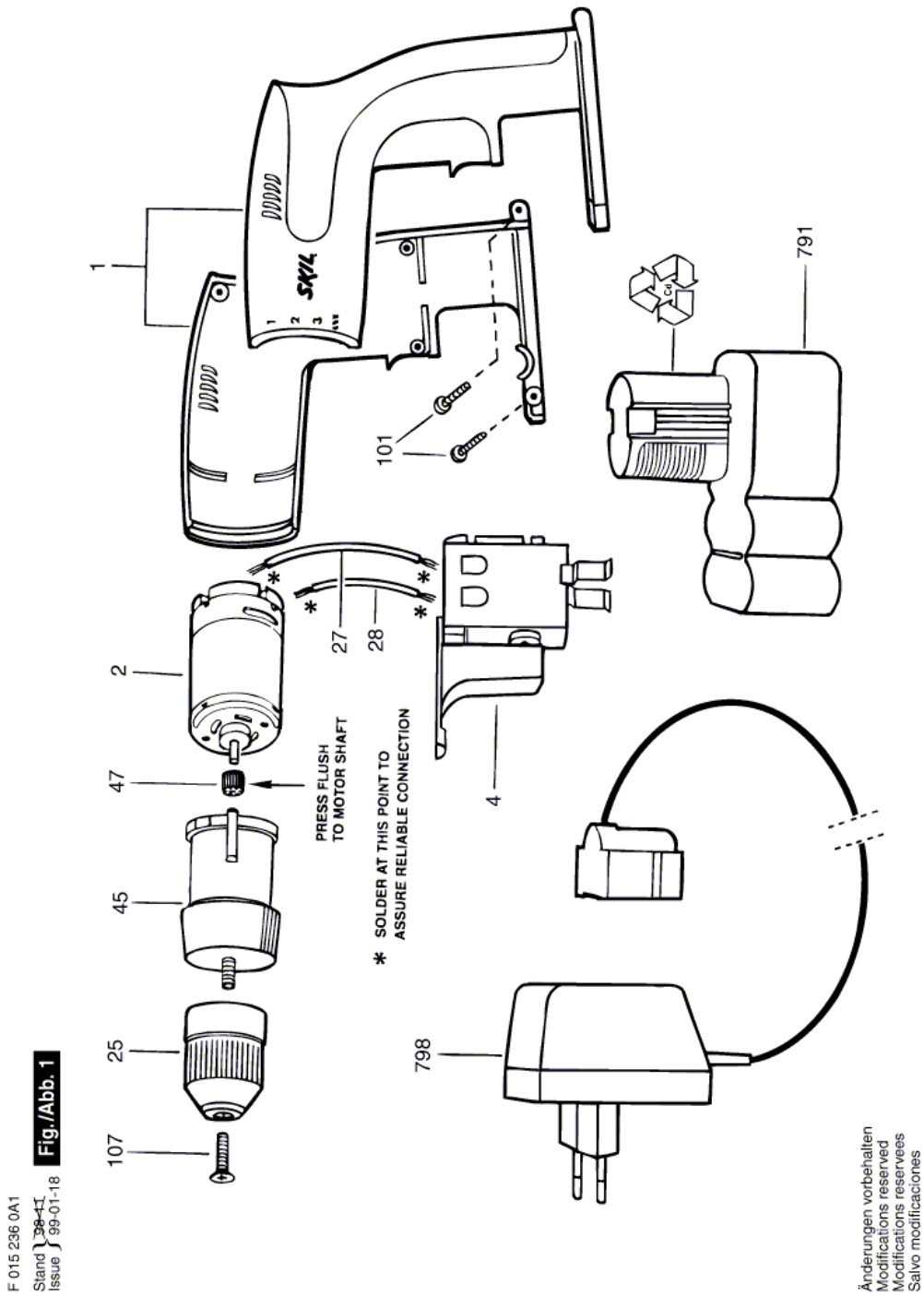
BOSCH

Item	Part Number	Description	Illustration	Price	Quantity	Price Group
1	2 605 104 532	Housing Section BLACK	1	-,-	1	23
2	2 607 022 040	DC motor 14,4V	1	-,-	1	29
4	2 607 200 379	On-Off Switch	1	-,-	1	34
25	2 610 908 303	Chuck 3/8"	1	-,-	1	32
27	2 604 448 192	Connecting Cable	1	-,-	1	13
28	2 604 448 193	Connecting Cable	1	-,-	1	13
45	2 606 200 048	Gear Housing	1	-,-	1	29
47	2 606 316 164	Pinion Z=9	1	-,-	1	16
101	2 603 435 065	Tapping Screw	1	-,-	2	11
107	2 609 110 721	Countersunk-Head Screw M5x20	1	-,-	1	11
791	2 607 335 208	Battery Pack 14,4V, 1,3Ah, NiCd	1	-,-	1	42
798	2 607 224 382	Fast Charger EU 230/14,4V, 3h	1	-,-	1	36
798	2 607 224 384	Fast Charger GB 230/14,4V, 3h	1	-,-	1	32

Product information Cordless Screw Driver - F 015 236 0A1 - 2360 H1

Product No	F 015 236 0A1
Description	251.178; Cordless Screw Driver
DIN-Text	
ID_Text_Ext	0
Trading_Description	2360 H1
Voltage_1	14,4 V
ID_Country_Product	---

Illustration - Type E



Information subject to change without further notice.