



SERVICE PARTS LIST

BUL. 54-12-5021

1" ELECTRIC DRILL

REVISED BUL 6145-2 DATE July '68

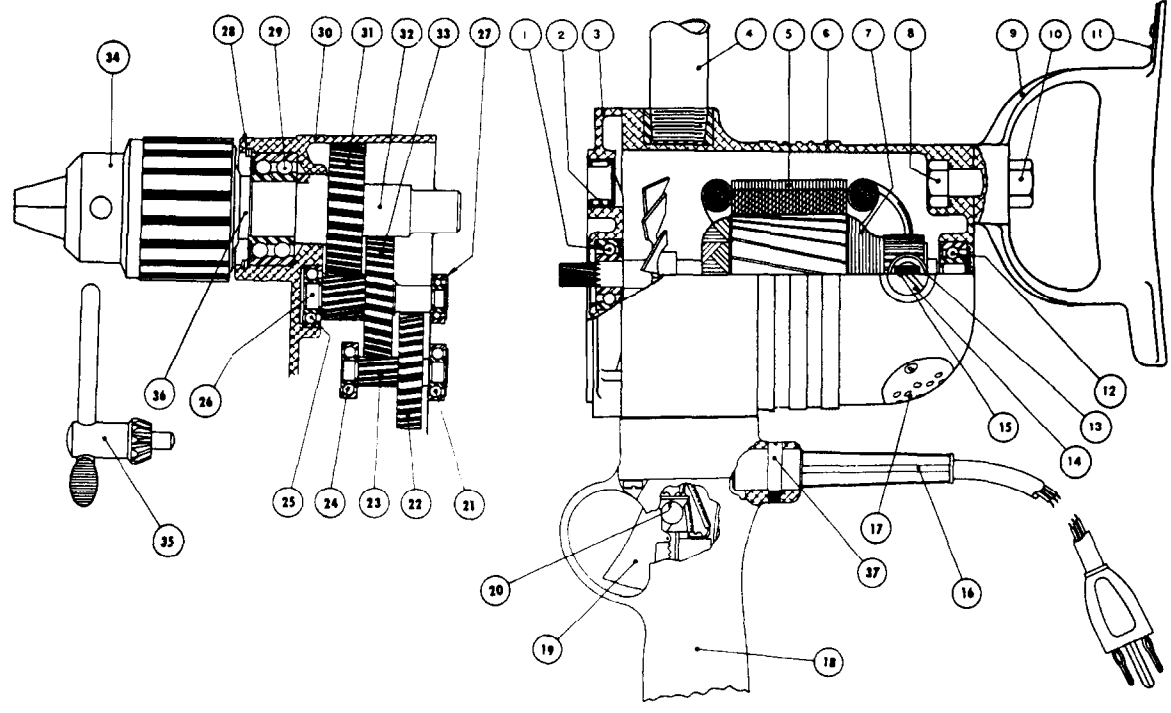
Catalog No. 2300

Starting Serial No. **145-1025**

WIRING INSTR. **58-01-0350**

Both Model and Serial No. must be furnished to obtain correct parts.

230V MOTOR 16-86-1060 Armature 18-86-1050 Field



ILLUSTRATED PARTS

FIG.	PART NO.	DESCRIPTION OF PART
	1	02-04-1140 Ball Bearing (pinion end)
	2	02-50-4820 Needle Bearing
	3	28-28-0301 Diaphragm
	4	43-62-0120 Pipe Handle
	5	18-82-1060 Field Assy.
	6	28-50-4161 Motor Housing
	7	16-82-1080 Armature Assy.
	8	06-75-0850 1/2-13x1-1/2 Spade Handle Bolt
★	9	14-34-0100 Spade Handle Assy.
	10	06-55-2850 Spade Handle Jam Nut
	11	42-70-0110 Spade Handle Key Clip
	12	02-04-1070 Ball Bearing (comm. end)
	13	22-22-0015 Brush Holder Assy.
	14	23-44-0030 Brush Retaining Screw Assy.
	15	22-18-0055 Carbon Brush Assy.
	16	22-64-0080 Cord Set
	17	44-66-0180 Air Intake Cover Plate
	18	28-44-9241 Switch Handle
	19	23-66-0190 Switch

FIG.	PART NO.	DESCRIPTION OF PART
	20	42-36-0230 Switch Bracket
	21	02-04-0910 Ball Bearing
	22	32-42-1201 Intermediate Gear
	23	36-66-1251 Pinion Shaft
	24	02-04-0910 Ball Bearing
	25	02-04-1210 Ball Bearing
	26	36-66-1301 Pinion Shaft
	27	02-04-0820 Ball Bearing
	38	34-80-3800 Retaining Ring
	29	02-20-2520 Ball Bearing
	30	28-14-0441 Gear Case
	31	32-75-1261 Spindle Gear
	(2)	32 38-50-1501 Spindle
	(2)	33 32-44-1141 Intermediate Gear
★	34	48-66-2050 Chuck
	35	48-66-3160 Chuck Key
	36	45-88-0120 Chuck Washer
	37	45-04-0100 Cord Retaining Screw

MISCELLANEOUS PARTS (NOT SHOWN)

PART NO.	DESCRIPTION OF PART
12-98-0900	Name Plate
★06-81-8650	6-32x1/4 Rd. Hd. Key Clip Scr.
06-81-8650	6-32x1/4 Rd. Hd. Switch Mounting Scr.
06-81-3450	6-32x5/16 Oval Hd. Switch Bracket Scr.
★06-81-8650	6-32x1/4 Rd. Hd. Air Intake Plate Scr.
★06-81-8400	4-40x1/4 Rd. Hd. Name Plate Scr.
06-81-7900	1/4-20x1-1/2 Fil. Hd. Gear Case Scr.
06-81-1975	1/4-20x2-1/4 Fil. Hd. Gear Case Scr.
06-81-1100	10-24x2-1/2 Rd. Hd. Field Scr.
45-30-0070	Ball Bearing Retaining Slug
★06-97-1800	Lock Washer

PART NO.	DESCRIPTION OF PART
06-81-7900	1/4-20x1-1/2 Fil. Hd. Switch Handle Scr.
48-03-0010	Attachment Plug Adaptor
★06-83-2650	1/4-20x3/8 Hd. less Brush Holder Set Scr.
06-81-8625	6-32x1/4 Rd. Hd. Brass Ground Scr.
★06-97-3400	Lock Washer
06-97-3800	Lock Washer
06-42-2000	Woodruff Key
06-42-1200	Woodruff Key
06-42-2400	Woodruff Key
★45-30-0080	Spindle Spacer