

## Impact Wrench - 3 601 J09 510 - 22612

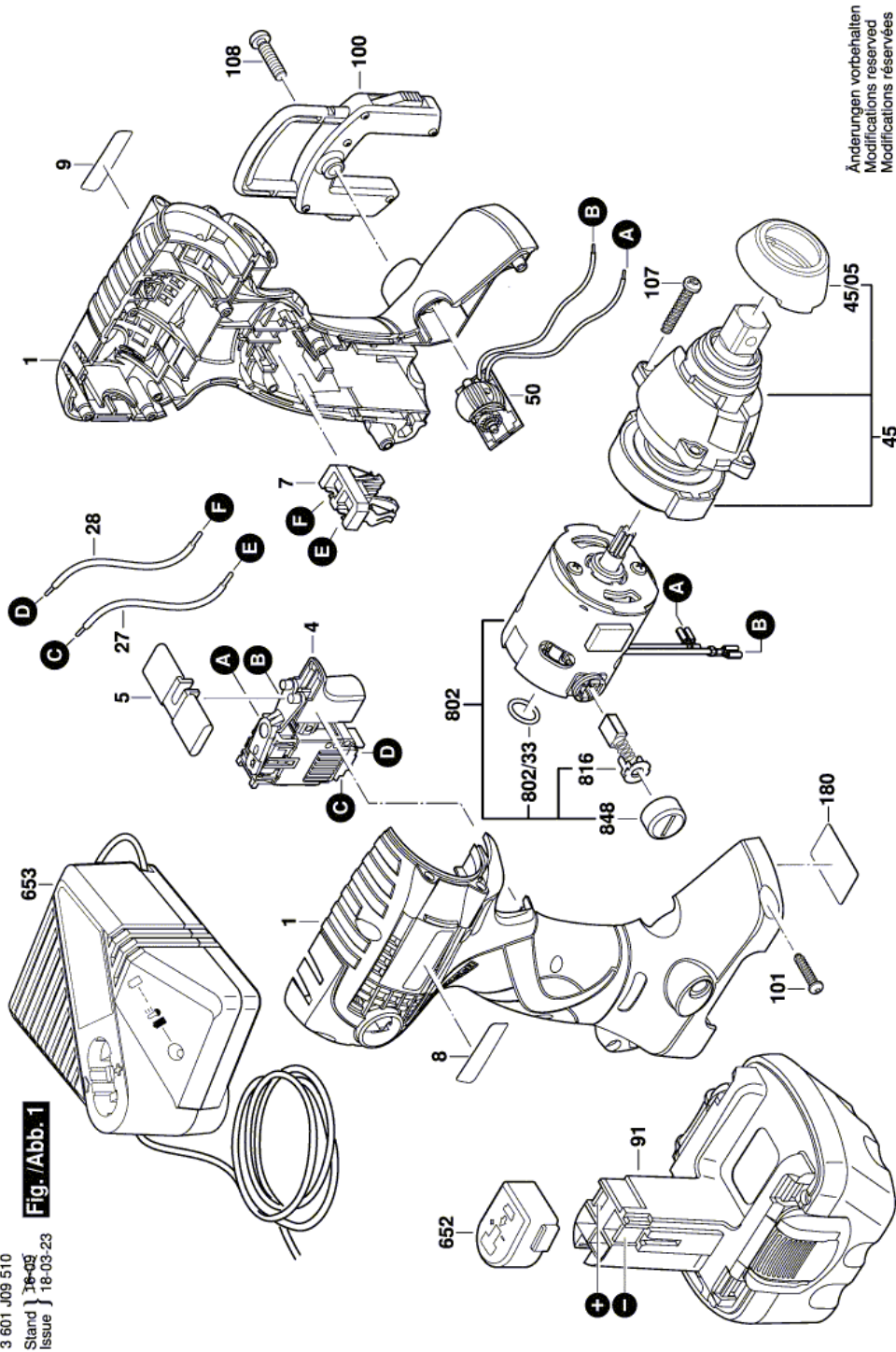
[www.powertools-aftersaleservice.com](http://www.powertools-aftersaleservice.com)



**BOSCH**

Item	Part Number	Description	Illustration	Price	Quantity	Price Group
1	2 609 100 306	Housing BLUE	1	-,-	1	33
4	2 607 200 489	On-Off Switch	1	-,-	1	32
5	2 609 100 273	Button	1	-,-	1	13
7	2 609 100 297	Contact retainer	1	-,-	1	22
8	2 609 130 720	Warning Plate 9,6V	1	-,-	1	13
9	2 609 130 747	Manufacturer's nameplate 12V, USA	1	-,-	1	15
27	2 609 120 146	Connecting Cable 50 MM LONG,BLACK	1	-,-	1	11
28	2 609 120 147	Connecting Cable 60 MM, LONG, RED	1	-,-	1	11
45	2 609 199 104	Gear Box	1	-,-	1	45
45/05	2 609 170 025	Protective Ring	1	-,-	1	20
50	2 609 199 069	Light-Emitting-Diode	1	-,-	1	27
91	2 607 335 667	Accumulator Battery 12V,2.0Ah,NiCd	1	-,-	2	48
100	2 609 199 027	Holder	1	-,-	1	21
101	2 609 110 201	Torx Flat-Head Screw 3x16	1	-,-	8	10
107	2 609 110 327	Screw	1	-,-	4	11
108	2 609 110 309	Screw	1	-,-	1	11
180	2 609 131 165	Nameplate	1	-,-	1	15
652	2 609 100 101	Protective Cap	1	-,-	1	16
653	2 607 225 033	Fast Charger USA 120/7,2-24V, 30 MIN.	1	-,-	1	46
802	2 609 199 046	Motor 12V	1	-,-	1	40
802/33	2 609 170 030	O-Ring	1	-,-	1	11
816	2 609 199 048	Carbon-Brush Set	1	-,-	1	22
848	2 609 199 049	Sealing cap	1	-,-	1	16

Illustration - Type E



3 601 J09 510  
 Stand } 18-03  
 Issue } 18-03-23  
**Fig./Abb. 1**

Information subject to change without further notice.