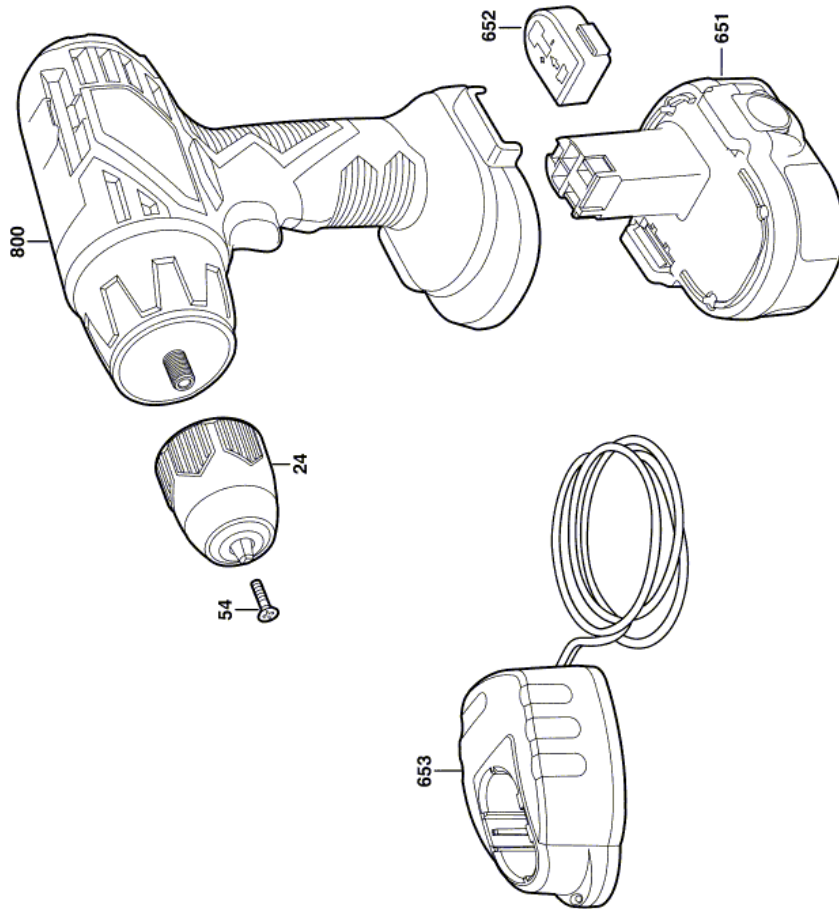


04.08.2015 |

Cordless Drill Driver - F 012 225 003 - 2250

Item	Part Number	Description	Illustration	Price	Quantity	Price Group
24	1 619 X04 096	Keyless Chuck		1	-,-	1 -
54	1 619 X02 515	Countersunk-Head Screw		1	-,-	1 10
651	2 607 335 512	Battery Pack 14,4V, 1,2Ah, NiCd		1	-,-	1 41
652	2 609 100 101	Protective Cap		1	-,-	1 16
653	2 607 225 367	Fast Charger USA 120/9,6V-18V, 3h		1	-,-	1 31
800	1 619 X04 209	Spare Part 14,4V		1	-,-	1 -

Illustration - Type E



F012.2240.03
Issue | 09-08-10 **Fig./Abb. 1**
Stand

Modifications reserved
änderungen vorbehalten
Modificacions resErVEdas
Salvo modificaciones

Information subject to change without further notice.