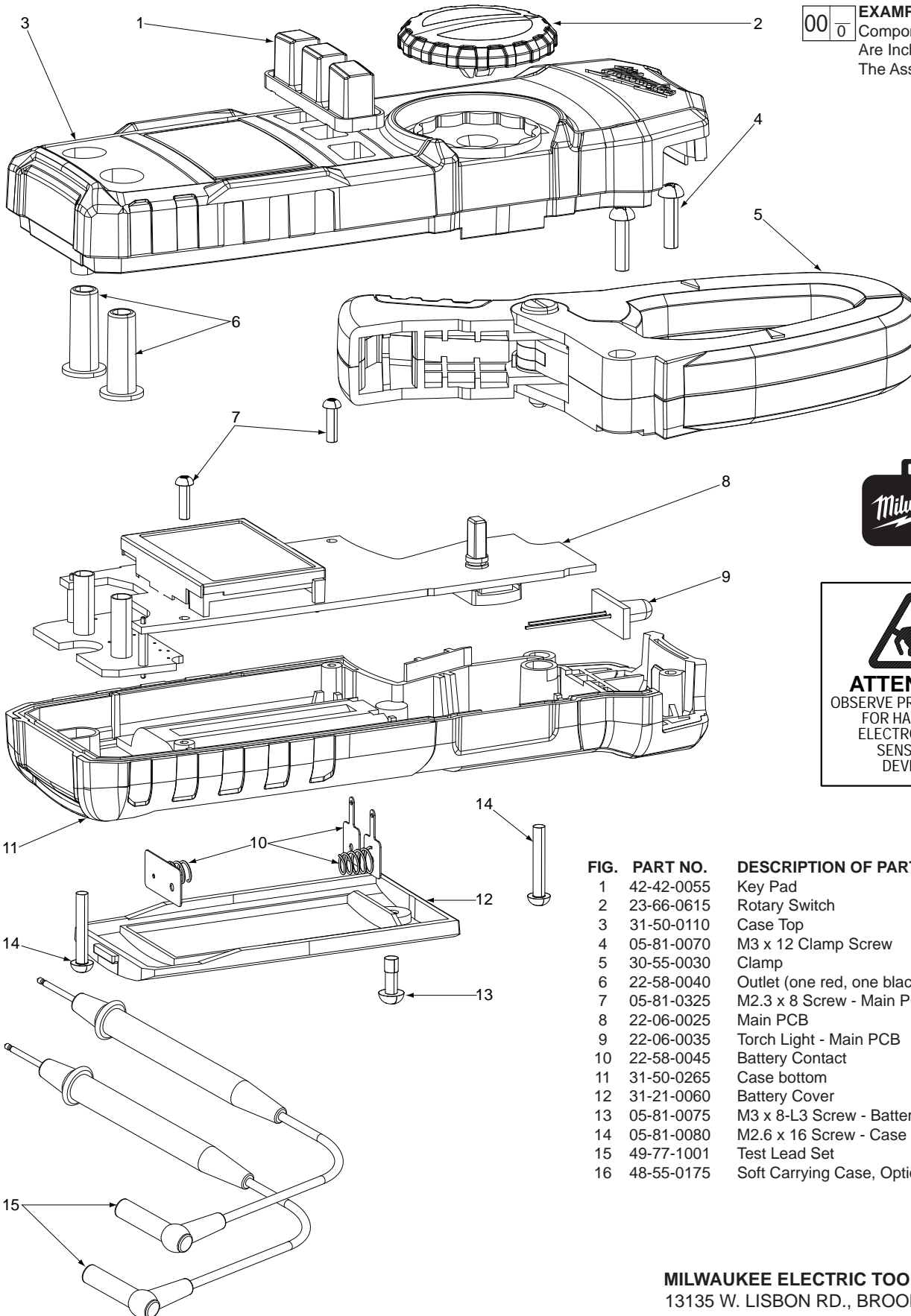




SERVICE PARTS LIST

BULLETIN NO.
54-07-2295

SPECIFY CATALOG NO. AND SERIAL NO. WHEN ORDERING PARTS		REVISED BULLETIN	DATE
400 AMP CLAMP METER (Light Commercial)			Oct. 2010
CATALOG NO.	2235-20	SERIAL NUMBER	C90A
WIRING INSTRUCTION			



EXAMPLE:
Component Parts (Small #)
Are Included When Ordering
The Assembly (Large #).



FIG.	PART NO.	DESCRIPTION OF PART	NO. REQ.
1	42-42-0055	Key Pad	(1)
2	23-66-0615	Rotary Switch	(1)
3	31-50-0110	Case Top	(1)
4	05-81-0070	M3 x 12 Clamp Screw	(2)
5	30-55-0030	Clamp	(1)
6	22-58-0040	Outlet (one red, one black)	(1)
7	05-81-0325	M2.3 x 8 Screw - Main PCB	(2)
8	22-06-0025	Main PCB	(1)
9	22-06-0035	Torch Light - Main PCB	(1)
10	22-58-0045	Battery Contact	(1)
11	31-50-0265	Case bottom	(1)
12	31-21-0060	Battery Cover	(1)
13	05-81-0075	M3 x 8-L3 Screw - Battery Cover	(1)
14	05-81-0080	M2.6 x 16 Screw - Case Bottom	(2)
15	49-77-1001	Test Lead Set	(1)
16	48-55-0175	Soft Carrying Case, Optional	(1)